

WESTFIELD®

PARTS BOOK



W60-70-80-100
AND J AUGERS
TUBE/UNDERCARRIAGE **A**

MODELS W AND WR
TRANSPORT AUGER
DRIVES **B**

TR AUGER
AUGER/BOOT/HOPPER **C**

COMPONENT PARTS
SAFETYDECALS **D**

UTILITY AUGER **E**

OPTIONAL EQUIPMENT **F**

DRILL FILL, TOTE TANK
FERTILIZER TANK **G**

MK AUGER
AUGER / BOOT / HOPPER **H**

WR 60-70-80-100
AND W130 AUGERS
TUBE/UNDERCARRIAGE **J**

WC 1335 AND WC15
SERIES CONVEYORS
DRIVE/TUBE/UNDERCARRIAGE **K**

WESTFIELD®
INDUSTRIES

A Division of Ag Growth Industries LP

ROSENORT, MANITOBA, CANADA ROG 1WO

PH. (204) 746-2396

Visit us at: www.grainaugers.com

**TRANSPORT AUGER
TUBE / UNDERCARRIAGE**

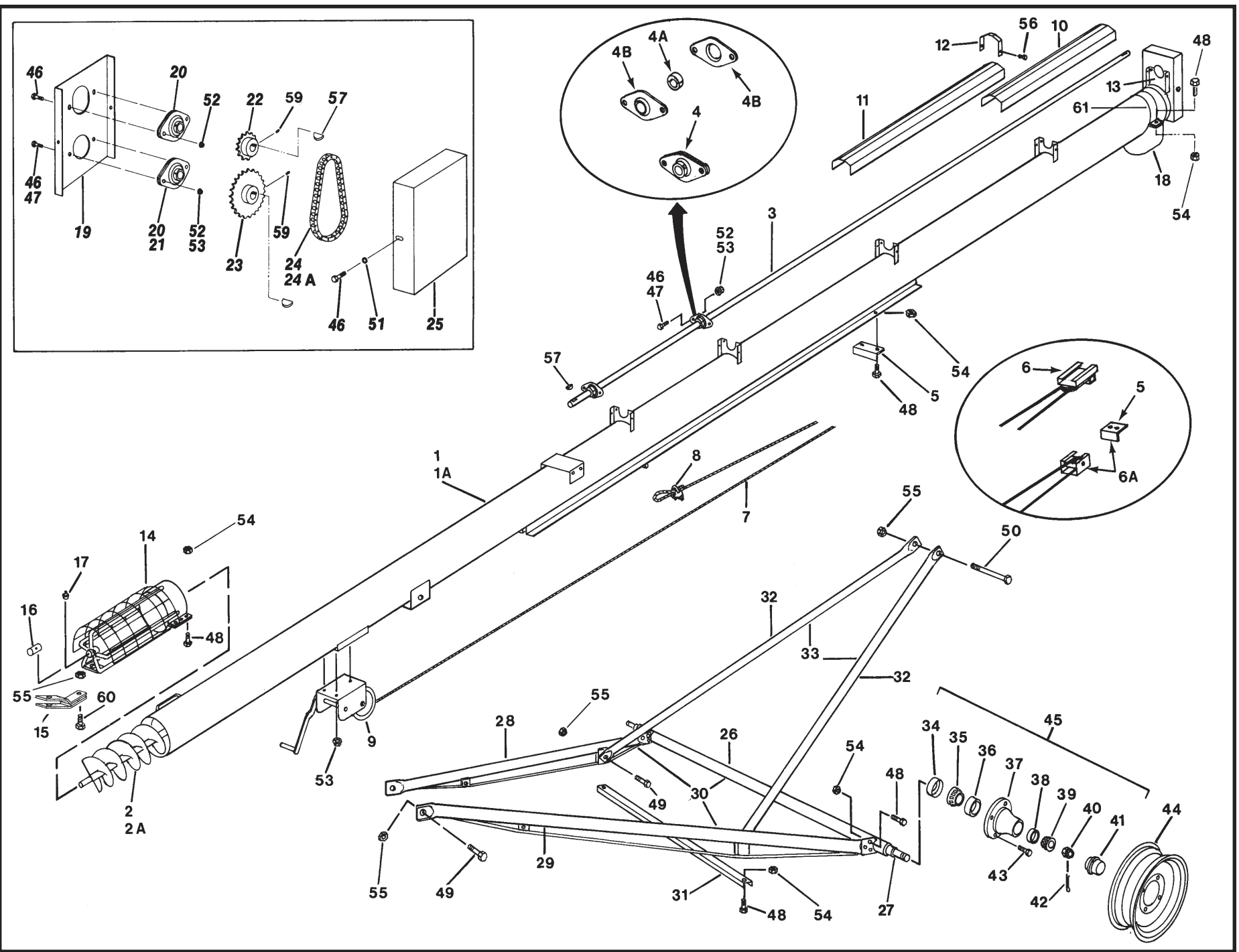
TRANSPORT AUGER
TUBE/UNDERCARRIAGE

A

Description	Page
W60 - W70 - W80 x 26' basic auger	A2-3
W60 - W70 - W80 x 31' basic auger	A4-5
W60 - W70 - W80 x 36' basic auger	A6-7
W60 - W70 - W80 x 41' basic auger	A8-9
W70 - W80 x 46' basic auger	A10-11
W60 - W70 - W80 x 51' basic auger	A12-13
W80 x 56' basic auger	A14-15
W60 - W80 x 61' basic auger	A16-17
W80 x 71' basic auger	A18-19
W100 x 31' basic auger	A20-21
W100 x 41' basic auger	A22-23
W100 x 51' basic auger	A24-25
W100 x 61' basic auger	A26-27
W100 x 71' basic auger	A28-29
J206 - J207 - J208 - J210 x 31' basic auger	A30-31
J206 - J207 - J208 - J210 x 36' basic auger	A32-33
J206 - J207 - J208 - J210 x 41' basic auger	A34-35
J207 - J208 x 46' basic auger	A36-37
J207 - J208 x 51' basic auger	A38-39
Drive components, J auger	A40-41

Westfield RED PAINT spray can Part No. 19885
 Westfield YELLOW PAINT spray can Part No. 19886

W60, W70, W80 - 26' Basic Auger

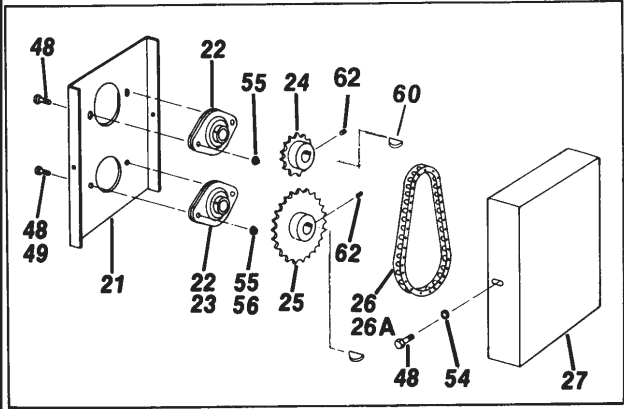


A2

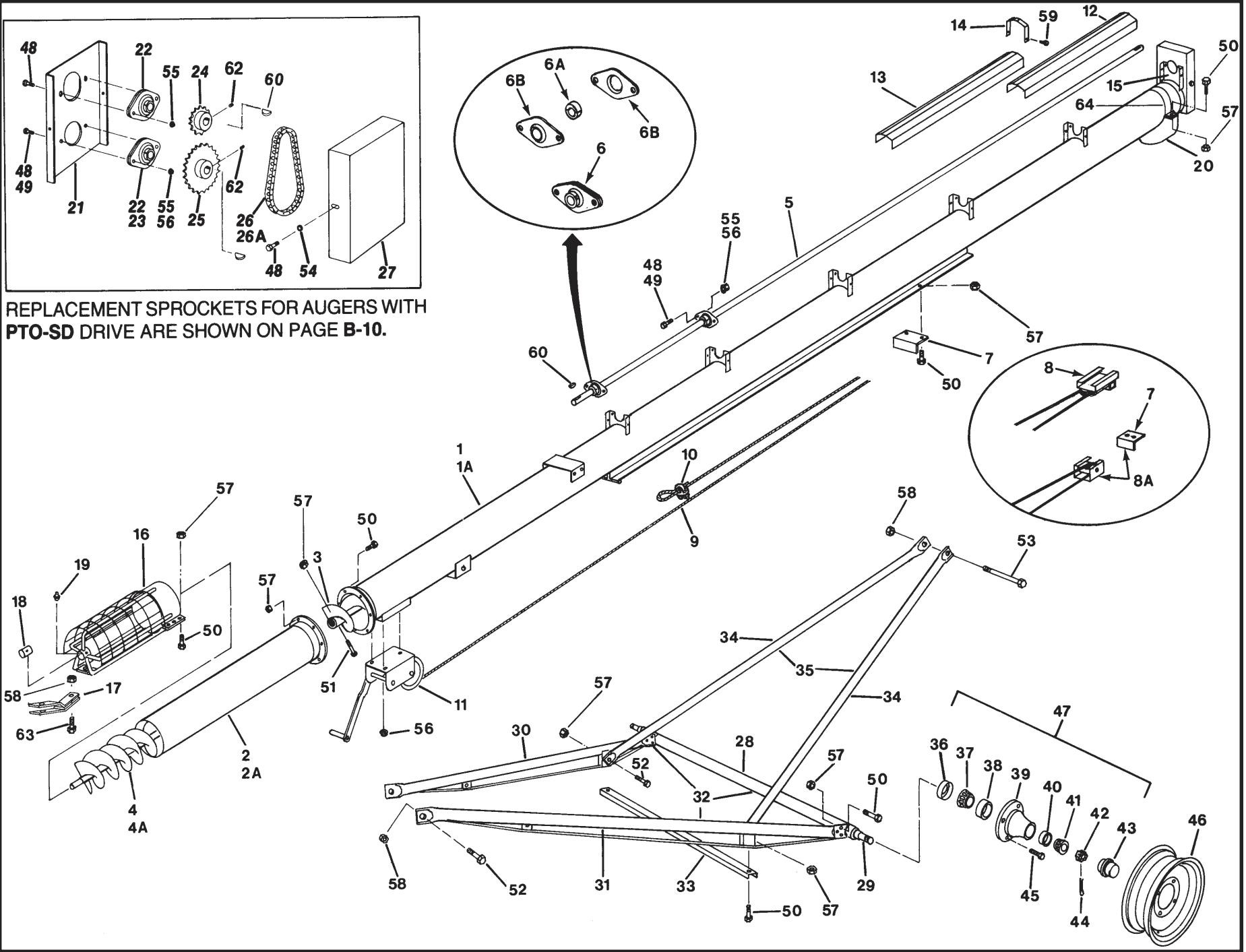
Jan - 05

REF. NO.	PART NO.			PARTS DESCRIPTION	NO. REQ'D
	6"	7"	8"		
1	19028	19029	19030	Tube section, w/driveshaft, housing track	1
1A	19054	19055	19056	Tube bundle, as shipped	1
2	19005	19099	19389	Flight section	1
2A	19083	19084	19085	24" Weld-on crimped intake flight	2
3	19086	19086	—	Driveshaft, 14' 4" long	1
3	—	—	19087	Driveshaft, 14' 4-1/2" long	1
4	19243	19243	—	1" ball bearing w/set screws, flanges	4
4	—	—	19244	1-1/4" ball bearing w/set screws, flanges	4
4A	18692	18692	—	1" split hardwood bearing, set of 2 halves	4
4A	—	—	18693	1-1/4" split hardwood bearing, set of 2 halves	4
4B	18694	18694	—	1" bearing flange, single, 2 bolt	8
4B	—	—	18695	1-1/4" bearing flange, single, 2 bolt	8
5	18762	18762	18762	Angle track stop only	1
6	19137	19137	19137	Slider track shoe (N/A replaced by 17071)	1
6A	17071	17071	17071	Roller track shoe incl. angle track stop *	1
7	19245	19245	19245	1/4" Cable, 21' long	1
8	19147	19147	19147	1/4" Cable clamp	2
9	19151	19151	19151	Winch, 4:1 ratio	1
10	19254	19254	19254	Driveshaft shield, 42" long	2
11	19255	19255	19255	Driveshaft shield, 48" long	2
12	19256	19256	19256	Shield tie-down strap	5
13	19257	19257	19257	Upper shield attach bracket	1
14	19019	19192	19398	Intake hitch w/shield, bushing, grease fitting	1
15	19442	19442	19442	Clevis, less bolt	1
16	19149	19149	19149	1" Bushing	1
17	19222	19222	19222	Press-in grease fitting	1
18	17070	19193	19411	Strap-on outlet spout	1
19	19313	19314	19315	Upper drive housing	1
20	19321	19321	19321	1" Flangette bearing	X
21	—	—	19322	1-1/4" Flangette bearing	X
22	19131	19131	19430	Upper sprocket, 14 tooth	1
23	19132	19132	19431	Lower sprocket, 25 tooth	1
24	19015	19133	19432	Roller chain w/connector	1
24A	19134	19134	19433	Roller chain connector only	1
25	19317	19318	19319	Housing cover	1
26	19335	19335	19335	Axle w/spindles, nuts, cotter pins	1
27	19262	19262	19262	Spindle, weld-on	2
28	19344	19344	19344	Lower reach tube, left	1
29	19345	19345	19345	Lower reach tube, right	1
30	19362	19362	19362	Lower reach frame bundle, as shipped	1
31	19371	19371	19371	Cross member	1
32	19380	19380	19380	Upper lift tube, left or right	2
33	19526	19526	19526	Upper lift bundle, as shipped, includes ref. #31	1
34	19264	19264	19264	Seal	2
35	19265	19265	19265	Large bearing, Timken #LM 67048	2

REF. NO.	PART NO.			PARTS DESCRIPTION	NO. REQ'D
	6"	7"	8"		
36	19266	19266	19266	Large cup, Timken #LM 67010	2
37	19267	19267	19267	Hub w/cups	2
38	19268	19268	19268	Small cup, Timken #LM 11910	2
39	19269	19269	19269	Small bearing, Timken #LM 11949	2
40	19270	19270	19270	Slotted nut, 3/4" - 16	2
41	19272	19272	19272	Dust cap	2
42	19271	19271	19271	Cotter pin, 1/8" x 1-1/2"	2
43	19273	19273	19273	Wheel bolt, 1/2" - 20	8
44	19261	19261	19261	15" Wheel, 4 bolt	2
45	19467	19467	19467	Hub assembly, complete	2
46	19538	19538	19538	Bolt, 5/16" - 18 x 3/4", grade 2	X
47	—	—	19540	Bolt, 3/8" - 16 x 3/4", grade 2	X
48	19542	19542	19542	Bolt, 7/16" - 14 x 1", grade 5	X
49	19590	19590	19590	Bolt, 5/8" - 11 x 1-1/2", grade 5	X
50	19591	19591	19591	Bolt, 5/8" - 11 x 6-1/2", grade 5	X
51	19603	19603	19603	Lockwasher, 5/16"	X
52	19595	19595	19595	Washer locknut, 5/16" - 18	X
53	19596	19596	19596	Washer locknut, 3/8" - 16	X
54	19598	19598	19598	Locknut, 7/16" - 14	X
55	19600	19600	19600	Locknut, 5/8" - 11	X
56	19274	19274	19274	Selftapping screw #14 x 5/8", w/washer head	X
57	19224	19224	19224	Woodruff key, 1/4" x 1"	X
58	19608	19608	19608	Setscrew, 5/16" - 18 x 3/8"	X
59	19225	19225	19225	Set screw, 3/8" - 16 x 3/8"	X
	—	19676	19682	Basic carton	
60	19991	19991	19991	Bolt, 5/8" - 11 x 2", grade 5	X
61	19022	19199	19460	Tube halfband	1
				* replaces # 19137	

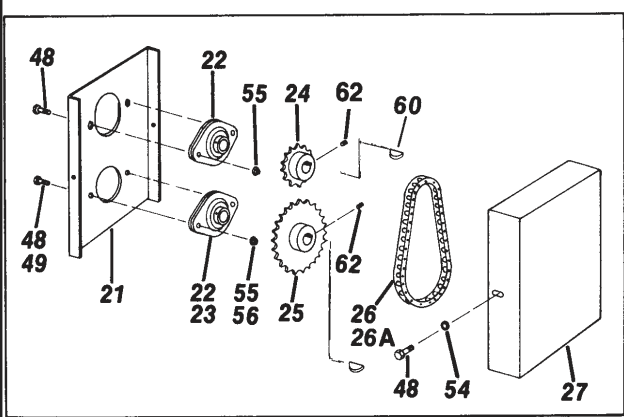


REPLACEMENT SPROCKETS FOR AUGERS WITH PTO-SD DRIVE ARE SHOWN ON PAGE B-10.

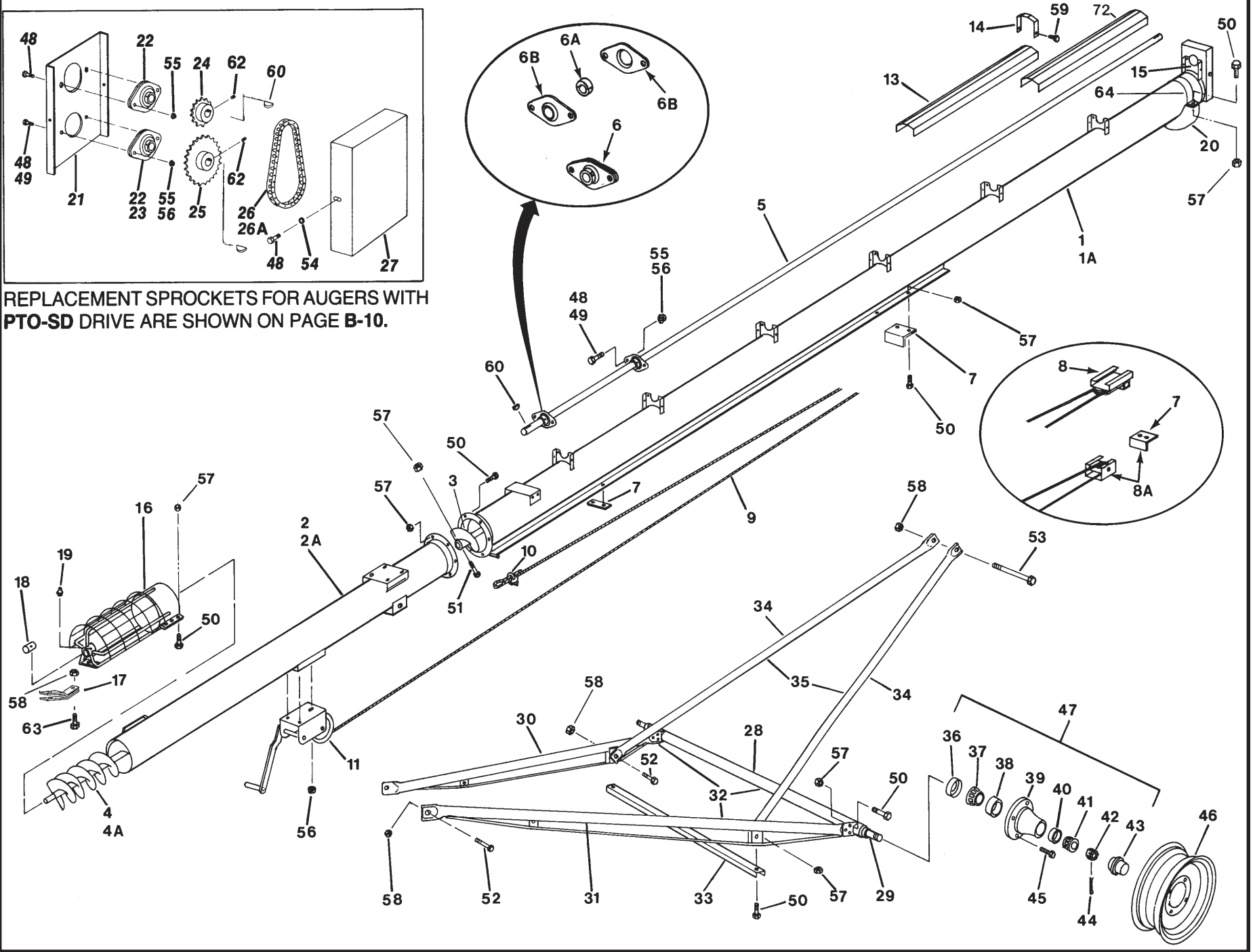


REF. NO.	PART NO.			PARTS DESCRIPTION	NO. REQ'D
	6"	7"	8"		
1	19031	19032	19033	Upper tube section w/driveshaft, housing, track	1
1A	19057	19058	19059	Upper tube bundle, as shipped	1
2	19007	19106	19390	Lower tube section	1
2A	19060	19061	19062	Lower tube bundle, as shipped	1
3	19006	19105	19402	Upper flight section	1
4	19010	19111	19393	Lower flight section	1
4A	19083	19084	19085	24" Weld-on crimped intake flight	2
5	19203	19203	—	Driveshaft, 18' 5-3/4" long	1
5	—	—	19204	Driveshaft, 18' 6-1/4" long	1
6	19243	19243	—	1" ball bearing w/set screws, flanges	5
6	—	—	19244	1-1/4" ball bearing w/set screws, flanges	5
6A	18692	18692	—	1" split hardwood bearing, set of 2 halves	5
6A	—	—	18693	1-1/4" split hardwood bearing, set of 2 halves	5
6B	18694	18694	—	1" bearing flange, single, 2 bolt	10
6B	—	—	18695	1-1/4" bearing flange, single, 2 bolt	10
7	18762	18762	18762	Angle track stop only	1
8	19137	19137	19137	Slider track shoe (N/A replaced by 17071)	1
8A	17071	17071	17071	Roller track shoe incl. angle track stop *	1
9	19246	19246	19246	1/4" cable, 24' long	1
10	19147	19147	19147	1/4" cable clamp	2
11	19151	19151	19151	Winch, 4:1 ratio	1
12	19254	19254	19254	Driveshaft shield, 42" long	2
13	19255	19255	19255	Driveshaft shield, 48" long	3
14	19256	19256	19256	Shield tie-down strap	6
15	19257	19257	19257	Upper shield attach bracket	1
16	19019	19192	19398	Intake hitch w/shield, bushing, grease fittings	1
17	19442	19442	19442	Clevis, less bolt	1
18	19149	19149	19149	1" Bushing	1
19	19222	19222	19222	Press-in grease fitting	1
20	17070	19193	19411	Strap-on outlet spout	1
21	19313	19314	19315	Upper drive housing	1
22	19321	19321	19321	1" Flangette bearing	X
23	—	—	19322	1-1/4" Flangette bearing	X
24	19131	19131	19430	Upper sprocket, 14 tooth	1
25	19132	19132	19431	Lower sprocket, 25 tooth	1
26	19015	19133	19432	Roller chain w/connector	1
26A	19134	19134	19433	Roller chain connector only	—
27	19317	19318	19319	Housing cover	1
28	19336	19336	19336	Axle w/spindles, nuts, cotter pins	1
29	19262	19262	19262	Spindle, weld-on	2
30	19346	19346	19346	Lower reach tube, left	1
31	19347	19347	19347	Lower reach tube, right	1
32	19363	19363	19363	Lower reach frame bundle, as shipped	1
33	19372	19372	19372	Cross member	1
34	19381	19381	19381	Upper lift tube, left or right	2

REF. NO.	PART NO.			PARTS DESCRIPTION	NO. REQ'D
	6"	7"	8"		
35	19527	19527	19527	Upper lift bundle, as shipped, includes Ref. #33	1
36	19264	19264	19264	Seal	2
37	19265	19265	19265	Large bearing, Timken #LM 67048	2
38	19266	19266	19266	Large cup, Timken #LM 67010	2
39	19267	19267	19267	Hub w/cups	2
40	19268	19268	19268	Small cup, Timken #LM 11910	2
41	19269	19269	19269	Small bearing, Timken #LM 11949	2
42	19270	19270	19270	Slotted nut, 3/4" - 16	2
43	19272	19272	19272	Dust cap	2
44	19271	19271	19271	1/8" x 1-1/2" Cotter pin	2
45	19273	19273	19273	Wheel bolt, 1/2" - 20 x 1"	8
46	19261	19261	19261	15" Wheel, 4 bolt	2
47	19467	19467	19467	Hub assembly, complete	2
48	19538	19538	19538	Bolt, 5/16" - 18 x 3/4", grade 2	X
49	—	—	19540	Bolt, 3/8" - 16 x 3/4", grade 2	X
50	19542	19542	19542	Bolt, 7/16" - 14 x 1", grade 5	X
51	—	—	19545	Bolt, 7/16" - 14 x 2-1/4", grade 8	X
52	19590	19590	19590	Bolt, 5/8" - 11 x 1-1/2", grade 5	X
53	19591	19591	19591	Bolt, 5/8" - 11 x 6-1/2", grade 5	X
54	19603	19603	19603	Lockwasher, 5/16"	X
55	19595	19595	19595	Washer locknut, 5/16" - 18	X
56	19596	19596	19596	Washer locknut, 3/8" - 16	X
57	19598	19598	19598	Locknut, 7/16" - 14	X
58	19600	19600	19600	Locknut, 5/8" - 11	X
59	19274	19274	19274	Selftapping screw #14 x 5/8", w/washerhead	X
60	19224	19224	19224	Woodruff key, 1/4" x 1"	X
61	19608	19608	19608	Setscrew, 5/16" - 18 x 3/8"	X
62	19225	19225	19225	Setscrew, 3/8" - 16 x 3/8"	X
—	19677	19677	19683	Basic carton	
63	19991	19991	19991	Bolt, 5/8" - 11 x 2", grade 5	X
64	19022	19199	19460	Tube halfband	1
				* replaces #19137	

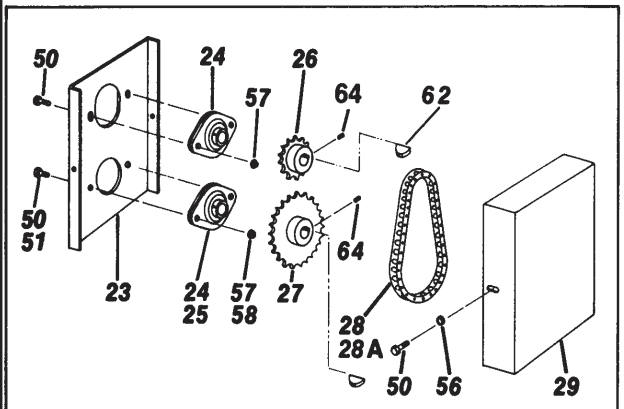


REPLACEMENT SPROCKETS FOR AUGERS WITH PTO-SD DRIVE ARE SHOWN ON PAGE B-10.

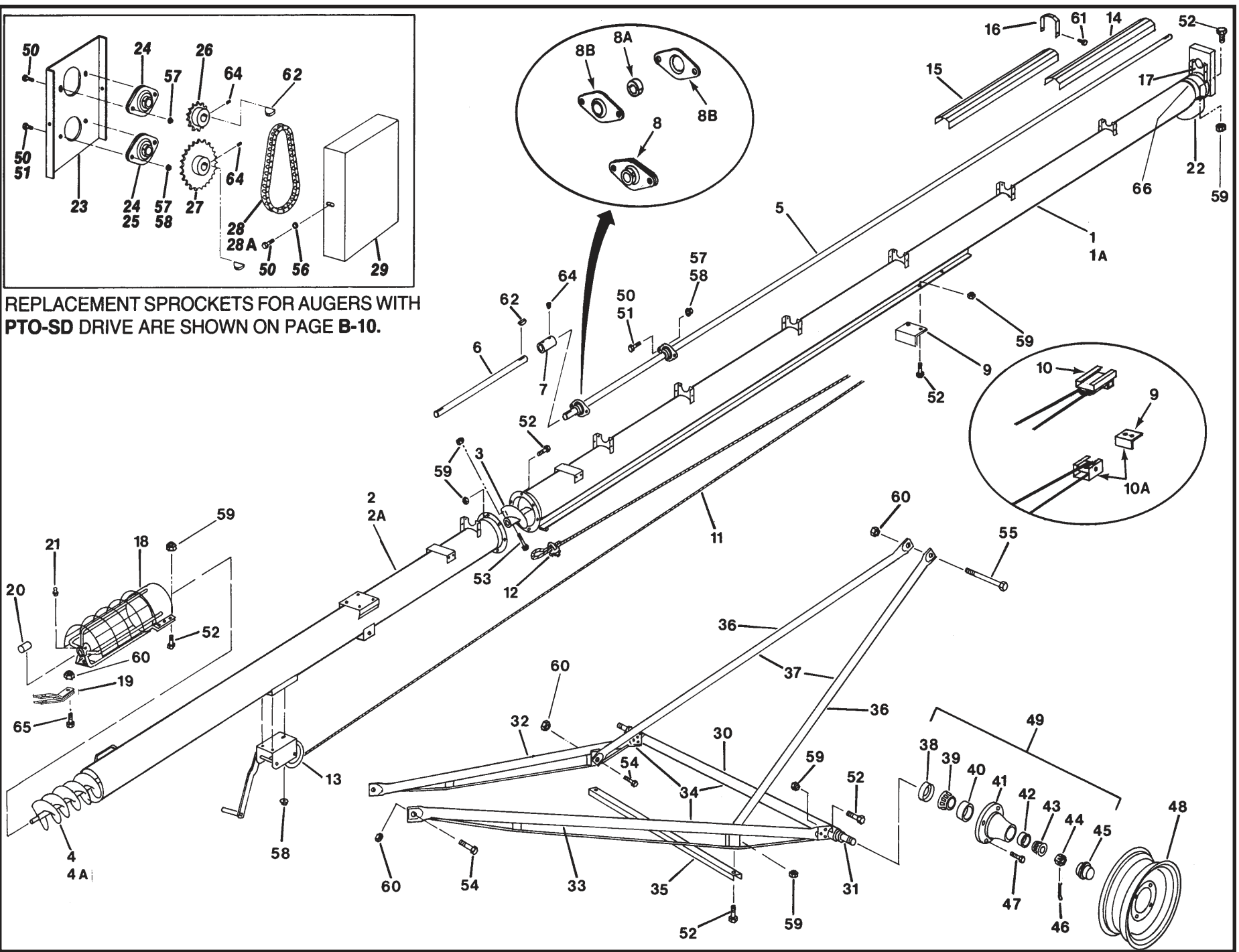
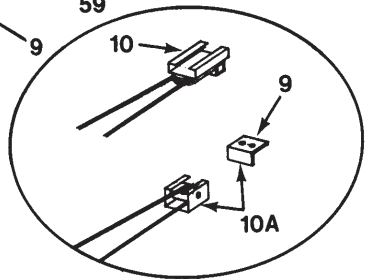
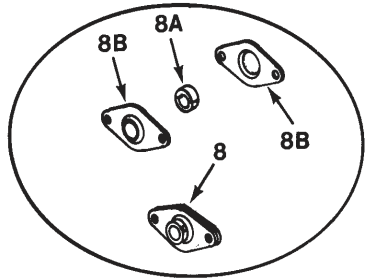


REF. NO.	PART NO.			PARTS DESCRIPTION	NO. REQ'D
	6"	7"	8"		
1	19034	19035	19036	Upper tube section w/driveshaft, housing, track	1
1A	19063	19064	19065	Upper tube bundle, as shipped	1
2	19037	19038	19039	Lower tube section	1
2A	19066	19067	19068	Lower tube bundle, as shipped	1
3	19006	19105	19402	Upper flight section	1
4	19011	19112	19407	Lower flight section	1
4A	19083	19084	19085	24" weld-on crimped intake flight	2
5	19205	19205	—	Driveshaft, 22' 3" long	1
5	—	—	19206	Driveshaft, 22' 3-1/2" long	1
6	19243	19243	—	1" ball bearing w/set screws, flanges	6
6	—	—	19244	1-1/4" ball bearing w/set screws, flanges	6
6A	18692	18692	—	1" split hardwood bearing, set of 2 halves	6
6A	—	—	18693	1-1/4" split hardwood bearing, set of 2 halves	6
6B	18694	18694	—	1" bearing flange, single, 2 bolt	12
6B	—	—	18695	1-1/4" bearing flange, single, 2 bolt	12
7	18762	18762	18762	Angle track stop only	1
8	19137	19137	19137	Slider track shoe (N/A replaced by 17071)	1
8A	17071	17071	17071	Roller track shoe incl. angle track stop *	1
9	19247	19247	19247	1/4" Cable, 33' long	1
10	19147	19147	19147	1/4" Cable clamp	2
11	19151	19151	19152	Winch	1
12	19254	19254	19254	Driveshaft shield, 42" long	2
13	19255	19255	19255	Driveshaft shield, 48" long	4
14	19256	19256	19256	Shield tie-down strap	7
15	19257	19257	19257	Upper shield attach bracket	1
16	19019	19192	19398	Intake hitch w-shield, bushing, grease fitting	1
17	19442	19442	19442	Clevis, less bolt	1
18	19149	19149	19149	1" Bushing	1
19	19222	19222	19222	Press-in grease fitting	1
20	17070	19193	19411	Strap-on outlet spout	1
21	19313	19314	19315	Upper drive housing	1
22	19321	19321	19321	1" Flangette bearing	X
23	—	—	19322	1-1/4" Flangette bearing	X
24	19131	19131	19430	Upper sprocket, 14 tooth	1
25	19132	19132	19431	Lower sprocket, 25 tooth	1
26	19015	19133	19432	Roller chain w/connector	1
26A	19134	19134	19433	Roller chain connector only	1
27	19317	19318	19319	Housing cover	1
28	19337	19337	19337	Axle w/spindles, nuts, cotter pins	1
29	19262	19262	19262	Spindle, weld-on	2
30	19348	19348	19348	Lower reach tube, left	1
31	19349	19349	19349	Lower reach tube, right	1
32	19364	19364	19364	Lower reach frame bundle, as shipped	1
33	19373	19373	19373	Cross member	1
34	19382	19382	19382	Upper lift tube, left or right	1

REF. NO.	PART NO.			PARTS DESCRIPTION	NO. REQ'D
	6"	7"	8"		
35	19528	19528	19528	Upper lift bundle, as shipped, includes Ref. #33	2
36	19264	19264	19264	Seal	1
37	19265	19265	19265	Large bearing, Timken #LM 67048	2
38	19266	19266	19266	Large cup, Timken #LM 67010	2
39	19267	19267	19267	Hub w/cups	2
40	19268	19268	19268	Small cup, Timken #LM11910	2
41	19269	19269	19269	Small bearing, Timken #LM 11949	2
42	19270	19270	19270	Slotted nut, 3/4" - 16	2
43	19272	19272	19272	Dust cap	2
44	19271	19271	19271	Cotter pin, 1/8" x 1-1/2"	2
45	19273	19273	19273	Wheel bolt, 1/2" - 20 x 1"	2
46	19261	19261	19261	15" Wheel, 4 bolt	8
47	19467	19467	19467	Hub assembly, complete	2
48	19538	19538	19538	Bolt, 5/16" - 18 x 3/4", grade 2	2
49	—	—	19540	Bolt, 3/8" - 16 x 3/4", grade 2	X
50	19542	19542	19542	Bolt, 7/16" - 14 x 1", grade 5	X
51	—	—	19545	Bolt, 7/16" - 14 x 2-1/4", grade 8	X
52	19590	19590	19590	Bolt, 5/8" - 11 x 1-1/2", grade 5	X
53	19591	19591	19591	Bolt, 5/8" - 11 x 6-1/2", grade 5	X
54	19603	19603	19603	Lockwasher, 5/16"	X
55	19595	19595	19595	Washer locknut 5/16", - 18	X
56	19596	19596	19596	Washer locknut 3/8", - 16	X
57	19598	19598	19598	Locknut, 7/16" - 14	X
58	19600	19600	19600	Locknut, 5/8" - 11	X
59	19274	19274	19274	Selftapping screw #14 x 5/8", w/washerhead	X
60	19224	19224	19224	Woodruff key, 1/4" x 1"	X
61	19608	19608	19608	Setscrew, 5/16" - 18 x 3/8"	X
62	19225	19225	19225	Setscrew, 3/8" - 16 x 3/8"	X
—	19678	19678	19684	Basic carton	X
63	19991	19991	19991	Bolt, 5/8" - 11 x 2", grade 5	X
64	19022	19199	19460	Tube halfband	1
				* replaces #19137	

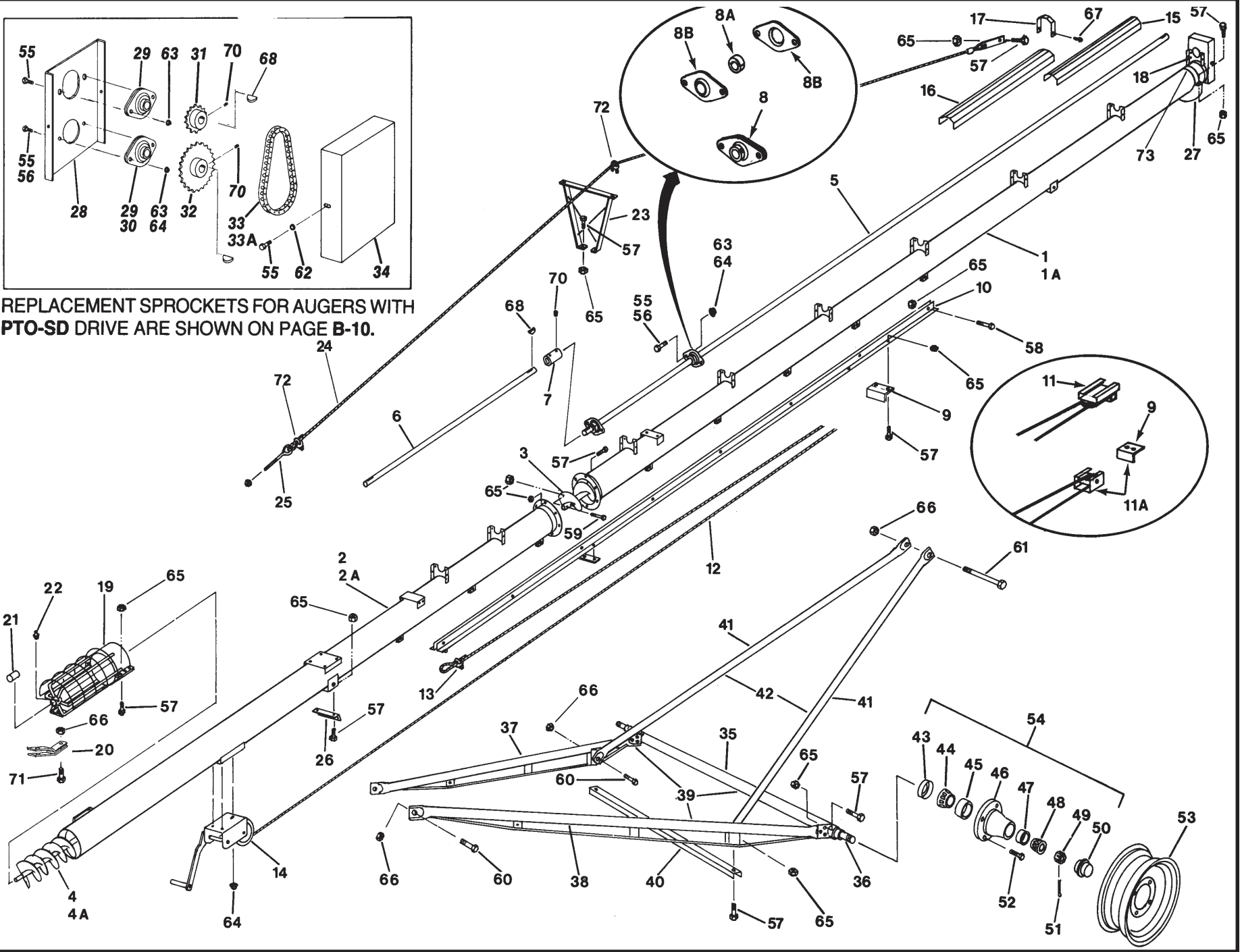


REPLACEMENT SPROCKETS FOR AUGERS WITH PTO-SD DRIVE ARE SHOWN ON PAGE B-10.



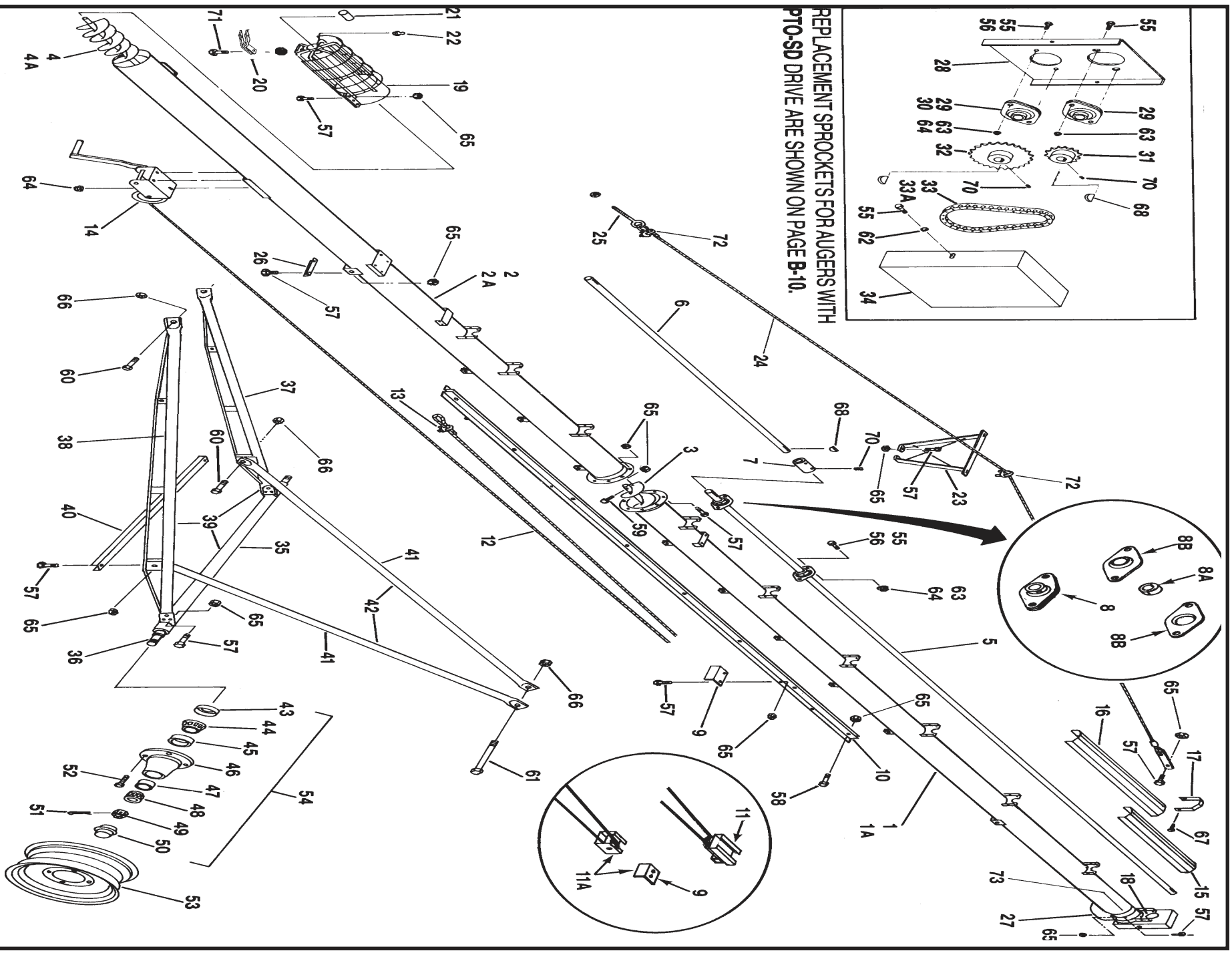
REF. NO.	PART NO.			PARTS DESCRIPTION	NO. REQ'D
	6"	7"	8"		
1	19034	19035	19036	Upper tube section w/driveshaft, housing track	1
1A	19063	19064	19065	Upper tube bundle, as shipped	1
2	19040	19041	19042	Lower tube section	1
2A	19069	19070	19071	Lower tube bundle, as shipped	1
3	19006	19105	19402	Upper flight section	1
4	19012	19113	19408	Lower flight section	1
4A	19083	19084	19085	24" weld-on crimped intake flight	2
5	19205	19205	—	Upper driveshaft, 22' 3" long	1
5	—	—	19206	Upper driveshaft, 22' 3-1/2" long	1
6	19236	19236	19237	Lower driveshaft, 3' 9-1/2" long	1
7	19119	19119	19119	Driveshaft connector	1
8	19243	19243	—	1" ball bearing w/set screws, flanges	7
8	—	—	19244	1-1/4" ball bearing w/set screws, flanges	7
8A	18692	18692	—	1" split hardwood bearing, set of 2 halves	7
8A	—	—	18693	1-1/4" split hardwood bearing, set of 2 halves	7
8B	18694	18694	—	1" bearing flange, single, 2 bolt	14
8B	—	—	18695	1-1/4" bearing flange, single, 2 bolt	14
9	18762	18762	18762	Angle track stop only	1
10	19137	19137	19137	Slider track shoe (N/A replaced by 17071)	1
10A	17071	17071	17071	Roller track shoe incl. angle track stop *	1
11	19248	19248	19248	1/4" Cable, 34' 6" long	1
12	19147	19147	19147	1/4" Cable clamp	2
13	19151	19151	19152	Winch	1
14	19254	19254	19254	Driveshaft shield, 42" long	2
15	19255	19255	19255	Driveshaft shield, 48" long	5
16	19256	19256	19256	Shield tie-down strap	8
17	19257	19257	19257	Upper shield attach bracket	1
18	19019	19192	19398	Intake hitch w-shield, bushing, grease fitting	1
19	19442	19442	19442	Clevis, less bolt	1
20	19149	19149	19149	1" Bushing	1
21	19222	19222	19222	Press-in grease fitting	X
22	17070	19193	19411	Strap-on outlet spout	X
23	19313	19314	19315	Upper drive housing	1
24	19321	19321	19321	1" Flangette bearing	X
25	—	—	19322	1-1/4" Flangette bearing	1
26	19131	19131	19430	Upper sprocket, 14 tooth	1
27	19132	19132	19431	Lower sprocket, 25 tooth	1
28	19015	19133	19432	Roller chain w/connector	1
28A	19134	19134	19433	Roller chain connector only	1
29	19317	19318	19319	Housing cover	1
30	19338	19338	19338	Axle w/spindles, nuts, cotter pins	1
31	19262	19262	19262	Spindle, weld-on	2
32	19350	19350	19350	Lower reach tube, left	1
33	19351	19351	19351	Lower reach tube, right	1
34	19365	19365	19365	Lower reach frame bundle, as shipped	1

REF. NO.	PART NO.			PARTS DESCRIPTION	NO. REQ'D
	6"	7"	8"		
35	19374	19374	19374	Cross member	1
36	19383	19383	19383	Upper lift tube, left or right	2
37	19529	19529	19529	Upper lift bundle, as shipped, includes Ref. #35	1
38	19264	19264	19264	Seal	2
39	19265	19265	19265	Large bearing, Timken #LM 67048	2
40	19266	19266	19266	Large cup, Timken #LM 67010	2
41	19267	19267	19267	Hub w/cups	2
42	19268	19268	19268	Small cup, Timken #LM 11910	2
43	19269	19269	19269	Small bearing, Timken #LM 11949	2
44	19270	19270	19270	Slotted nut, 3/4" - 16	2
45	19272	19272	19272	Dust cap	2
46	19271	19271	19271	Cotter pin, 1/8" x 1-1/2"	2
47	19273	19273	19273	Wheel bolt, 1/2" - 20	8
48	19261	19261	19261	15" Wheel, 4 bolt	2
49	19467	19467	19467	Hub assembly, complete	2
50	19538	19538	19538	Bolt, 5/16" - 18 x 3/4", grade 2	X
51	—	—	19540	Bolt, 3/8" - 16 x 3/4", grade 2	X
52	19542	19542	19542	Bolt, 7/16" - 14 x 1", grade 5	X
53	—	—	19545	Bolt, 7/16" - 14 x 2-1/4", grade 8	X
54	19590	19590	19590	Bolt, 5/8" - 11 x 1-1/2", grade 5	X
55	19591	19591	19591	Bolt, 5/8" - 11 x 6-1/2", grade 5	X
56	19603	19603	19603	Lockwasher, 5/16"	X
57	19595	19595	19595	Washer locknut, 5/16" - 18	X
58	19596	19596	19596	Washer locknut, 3/8" - 16	X
59	19598	19598	19598	Locknut, 7/16" - 14	X
60	19600	19600	19600	Locknut, 5/8" - 11	X
61	19274	19274	19274	Selftapping screw #14 x 5/8", w/washerhead	X
62	19224	19224	19224	Woodruff key, 1/4" x 1"	X
63	19608	19608	19608	Setscrew, 5/16" - 18 x 3/8"	X
64	19225	19225	19225	Setscrew, 3/8" - 16 x 3/8"	X
65	19991	19991	19991	Bolt, 5/8" - 11 x 2", grade 5	X
66	19022	19199	19460	Tube halfband	1
—	19679	19679	19685	Basic carton	
				* replaces #19137	

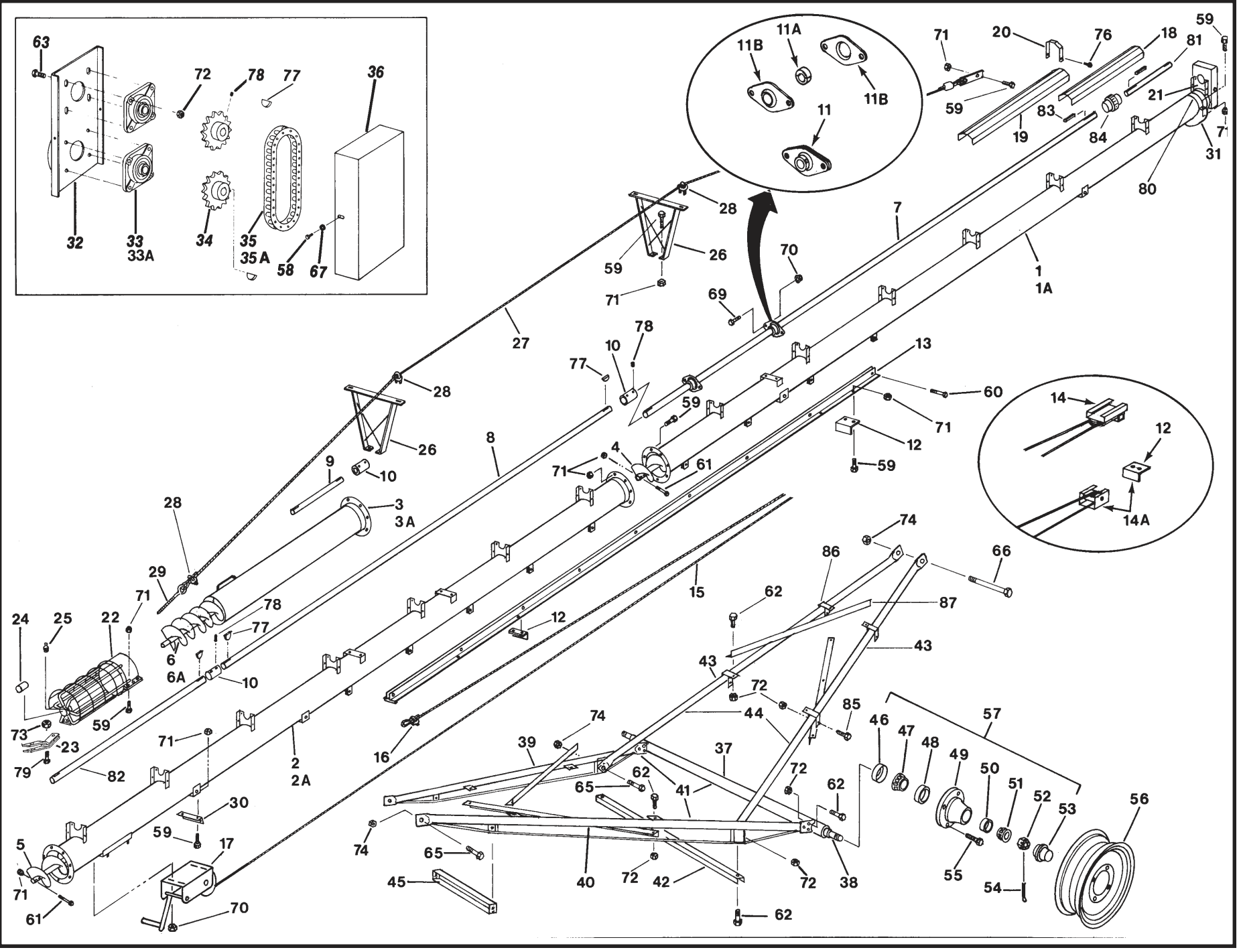


REPLACEMENT SPROCKETS FOR AUGERS WITH PTO-SD DRIVE ARE SHOWN ON PAGE B-10.

W60, W70, W80 - 51' Basic Auger



W80 - 56' Basic Auger

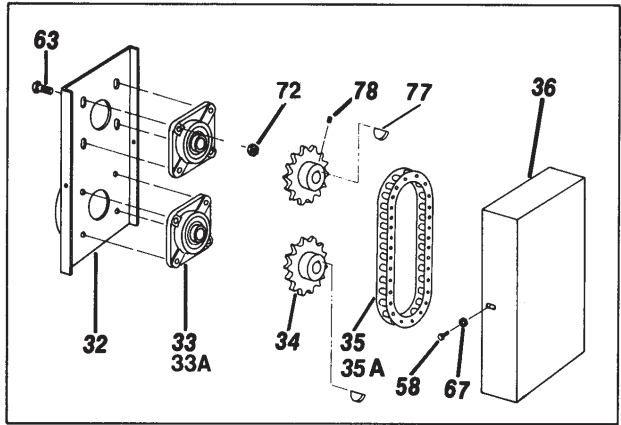


A14

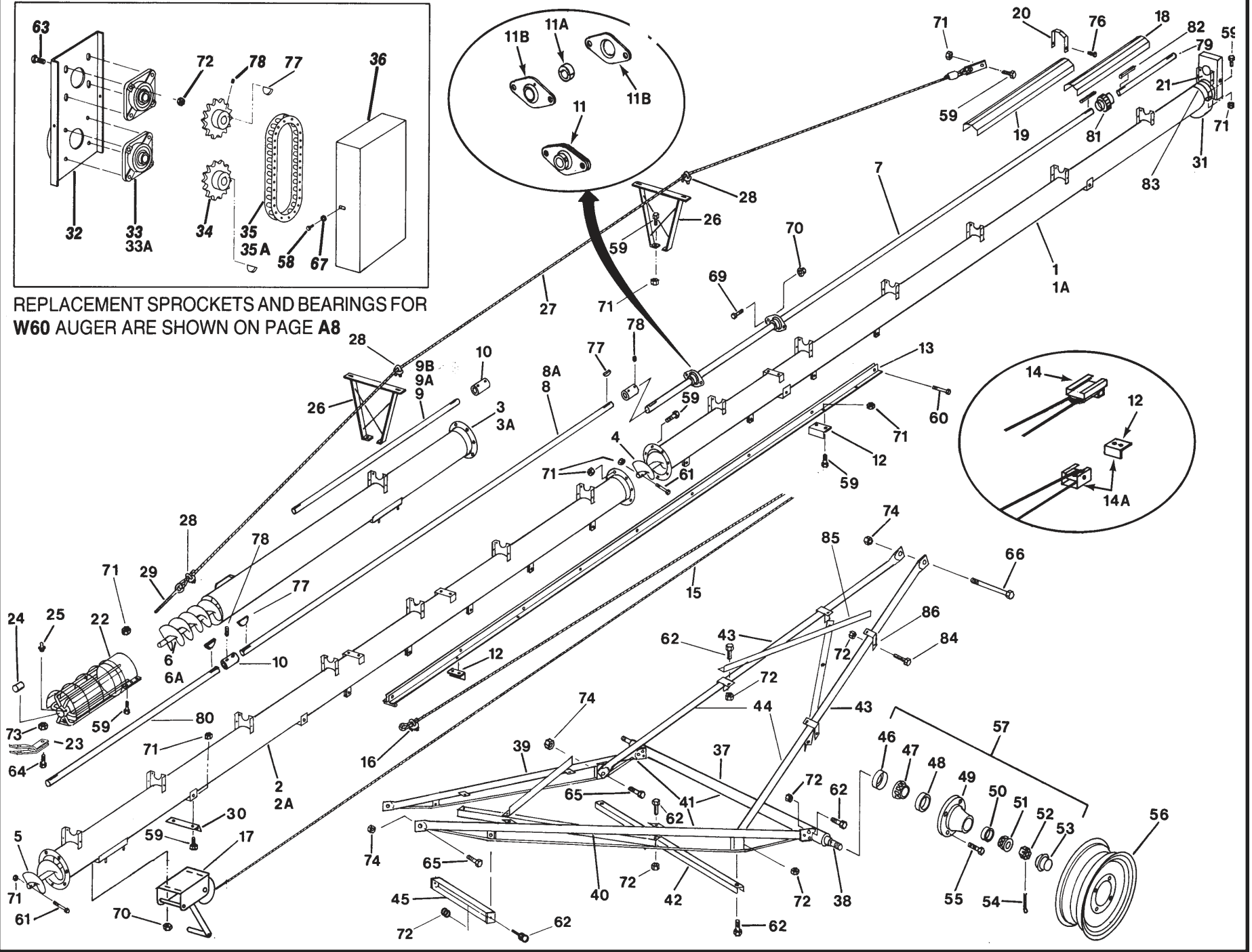
Jan - 05

W80 - 56' Basic Auger

REF. NO.	PART NO.	PARTS DESCRIPTION	NO. REQ'D	REF. NO.	PART NO.	PARTS DESCRIPTION	NO. REQ'D
1	19049	Upper tube section w/driveshaft, housing	1	47	19265	Large bearing, Timken #LM 67048	2
1A	19078	Upper tube bundle, as shipped	1	48	19266	Large cup, Timken #LM 67010	2
2	19050	Center tube section w/driveshaft	1	49	19267	Hub w/cups	2
2A	19079	Center tube bundle, as shipped	1	50	19268	Small cup, Timken #LM 11910	2
3	19051	Lower tube section	1	51	19269	Small bearing, Timken #LM 11949	2
3A	19080	Lower tube bundle, as shipped	1	52	19270	Slotted nut, 3/4" - 16	2
4	19402	Upper flight section	1	53	19272	Dust cap	2
5	19552	Center flight section	1	54	19271	Cotter pin, 1/8" x 1-1/2"	2
6	19393	Lower flight section	1	55	19273	Wheel bolt, 1/2" - 20 x 1"	8
6A	19085	24" weld-on crimped intake flight	2	56	19261	Wheel, 15", 4 bolt	2
7	19808	Upper driveshaft, 21' 1" long	1	57	19467	Hub assembly, complete	2
8	19994	Center driveshaft, 18' 9" long	1	58	19538	Bolt, 5/16" - 18 x 3/4", grade 2	X
9	19120	Lower driveshaft, 1' 3" long	1	59	19542	Bolt, 7/16" - 14 x 1", grade 5	X
10	19119	Driveshaft connector	3	60	19981	Bolt, 7/16" - 14 x 1-3/4", grade 5	X
11	19244	1-1/4" ball bearing w/set screws, flanges	13	61	19545	Bolt, 7/16" - 14 x 2-1/4", grade 8	X
11A	18693	1-1/4" split hardwood bearing, set of 2 halves	13	62	19588	Bolt, 1/2" - 13 x 1-1/4", grade5	X
11B	18695	1-1/4" bearing flanges, single, 2 bolt	26	63	19589	Bolt, 1/2" - 13 x 1-1/2", grade 2	X
12	18762	Angle track stop only	2	64	19590	Bolt, 5/8" - 11 x 1-1/2", grade 5	X
13	19259	Bolt-on track	1	65	19592	Bolt, 3/4" - 10 x 2", grade 5	X
14	19137	Slider track shoe (N/A replaced by 17071)	1	66	19593	Bolt, 3/4" - 10 x 6-1/2", grade5	X
14A	17071	Roller track shoe incl. Ref. # 12*	1	67	19603	Lockwasher, 5/16"	X
15	19251	1/4" Cable, 59' long	1	68	19605	Lockwasher, 1/2"	X
16	19147	1/4" Cable clamp	2	69	19540	Bolt, 3/8" - 16 x 3/4", grade 2	X
17	19569	Winch, 15:1 ratio	1	70	19596	Washer-locknut, 3/8" - 16	X
18	19254	Driveshaft shield, 42" long	3	71	19598	Locknut, 7/16" - 14	X
19	19255	Driveshaft shield 48" long	11	72	19599	Locknut, 1/2" - 13	X
20	19256	Shield tie-down strap	14	73	19600	Locknut, 5/8" - 11	X
21	19773	Upper shield attach bracket	1	74	19601	Locknut, 3/4" - 10	X
22	19398	Intake hitch w/shield, bushing, grease fitting	1	75	19602	Hex nut, 1/2" - 13	X
23	19442	Clevis, less bolt	1	76	19274	Selftapping screw, #14 x 5/8", w/washerhead	X
24	19149	1" Bushing	1	77	19224	Woodruff key, 1/4" x 1"	X
25	19222	Press-in grease fitting	1	78	19225	Set screw, 3/8" - 16 x 3/8"	X
26	19324	Truss support bracket, low	2	79	19991	Bolt, 5/8" - 11 x 2", grade 5	X
27	19328	Single truss cable w/end plate, 40' 4" long	2	80	19460	Tube halfband	1
28	19333	5/16" Cable clamp	6	81	19807	Upper driveshaft, 4' 0" section	1
29	19331	Eye bolt w/nut	2	82	19419	Center driveshaft, 6' 4" section	1
30	19332	Truss attach angle	1	83	19606	Square key, 1/4" x 1-1/2"	2
31	19411	Strap-on spout	1	84	19771	Chain flex connector	1
32	19316	Upper drive housing	1	—	19688	Basic carton	X
33	19567	1-1/4" Bearing, w/4 bolt flange	2	85	19799	Bolt, 1/2" - 13 x 4-1/2", grade 2	X
33A	18852	1-1/4" Bearing, less flange		86	19797	Tube clamp	4
34	19564	Sprocket, 80 B14	2	87	19796	Single cross brace	4
35	19565	Roller chain w/connector	1				
35A	19323	Roller chain connector only	1				
36	19320	Housing cover	1				
37	19341	Axle w/spindles, nuts, cotter pins	1				
38	19263	Spindle, weld-on	2				
39	19356	Lower reach tube, left	1				
40	19357	Lower reach tube, right	1				
41	19368	Lower reach frame bundle as shipped, incl. #87	1				
42	19377	Cross member	1				
43	19523	Upper lift tube left or right	2				
44	19533	Upper lift bundle, as shipped, includes Ref. #42	1				
45	19536	Short cross member, 2 bolt	1				
46	19264	Seal	2				
						*replaces #19137	



REPLACEMENT SPROCKETS AND BEARINGS FOR W60 AUGER ARE SHOWN ON PAGE A8

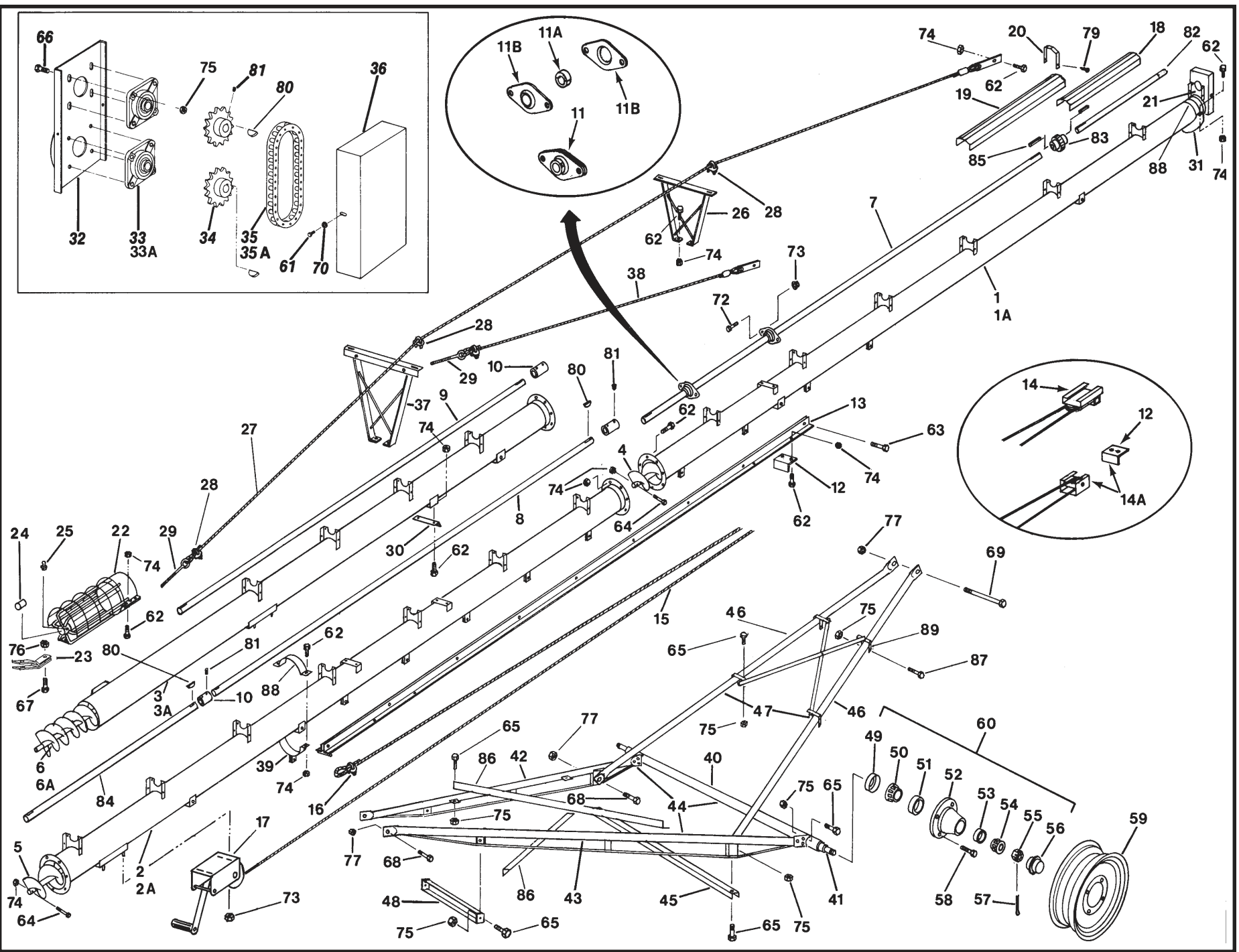


W60, W80 - 61' Basic Auger

REF. NO.	PART NO.		PARTS DESCRIPTION	NO. REQ'D
	6"	8"		
1	17085	19049	Upper tube section w/driveshaft, housing	1
1A	17086	19078	Upper tube bundle, as shipped	1
2	17087	19050	Center tube section w/driveshaft	1
2A	17088	19079	Center tube bundle, as shipped	1
3	17089	19052	Lower tube section	1
3A	17090	19081	Lower tube bundle, as shipped	1
4	19006	19402	Upper flight section	1
5	17091	19552	Center flight section	1
6	19011	19407	Lower flight section	1
6A	19083	19085	24" Weld-on crimped intake flight	2
7	19207	19808	Upper driveshaft, 21' 1" section (W60-23' 6")	1
8	—	19994	Center driveshaft, 18' 9" section	1
8A	19239	—	Center driveshaft, 9' 10" long	2
9	—	19419	Lower driveshaft, 6' 4" long	1
9A	19238	—	Lower driveshaft, 6' 2-1/2", long	1
9B	17083	—	Lower driveshaft, 5' 9-1/4", long	1
10	19119	19119	Driveshaft connector	3
11	19243	—	1" ball bearing w/set screws, flanges	14
11	—	19244	1-1/4" ball bearing w/set screws, flanges	14
11A	18692	—	1" split hardwood bearing, set of 2 halves	14
11A	—	18693	1-1/4" split hardwood bearing, set of 2 halves	14
118	18694	—	1" bearing flange, single, 2 bolt	28
11B	—	18695	1-1/4" bearing flange, single, 2 bolt	28
12	18762	18762	Angle track stop only	2
13	19259	19259	Bolt-on track	1
14	19137	19137	Slider track shoe (N/A replaced by 17071)	1
14A	17071	17071	Roller track shoe incl. ref. #12 *	1
15	19252	19252	1/4" Cable, 61' 6" long	1
16	19147	19147	1/4" Cable clamp	2
17	19152	19569	Winch	1
18	19254	19254	Driveshaft shield, 42" long	4
19	19255	19255	Driveshaft shield, 48" long	11
20	19256	19256	Shield tie-down strap	15
21	19257	19773	Upper shield attach bracket	1
22	19019	19398	Intake hitch w/shield, bushing, grease fitting	1
23	19442	19442	Clevis, less bolt	1
24	19149	19149	1" Bushing	1
25	19222	19222	Press-in grease fitting	1
26	19324	19324	Truss support bracket	2
27	17084	19328	Single truss cable w/end plate	2
28	19333	19333	5/16" Cable clamp	6
29	19331	19331	Eyebolt w/nut	2
30	19332	19332	Truss attach angle	1
31	17070	19411	Strap-on spout	1
32	19313	19316	Upper drive housing	1
33	—	19567	1-1/4" Bearing, w/4 bolt flange	2
33A	—	18852	1-1/4" Bearing, less flange	2
34	—	19564	Sprocket, 80 B14	2
35	19015	19565	Roller chain w/connector	1
35A	19134	19323	Roller chain connector only	1
36	19317	19320	Housing cover	1
37	19342	19342	Axle w/spindles, nuts cotter pins	1
38	19263	19263	Spindle, weld-on	2
39	19358	19358	Lower reach tube, left	1
40	19359	19359	Lower reach tube, right	1

REF. NO.	PART NO.		PARTS DESCRIPTION	NO. REQ'D
	6"	8"		
41	19369	19369	Lwr reach frame bundle as shipped, incl. #85	1
42	19378	19378	Cross member	1
43	19524	19524	Upper lift tube, left or right	2
44	19534	19534	Upper lift bundle, as shipped, (incl. Ref. #42)	1
45	19536	19536	Short cross member, 2 bolt	1
46	19264	19264	Seal	2
47	19265	19265	Large bearing, Timken #LM67048	2
48	19266	19266	Large cup, Timken #LM67010	2
49	19267	19267	Hub w/cups	2
50	19268	19268	Small cup, Timken #LM 11910	2
51	19269	19269	Small bearing, Timken #LM 11949	2
52	19270	19270	Stoned nut, 3/4" - 16	2
53	19272	19272	Dust cap	2
54	19271	19271	Cotter pin, 1/8" x 1-1/2"	2
55	19273	19273	Wheel bolt, 1/2" - 20 x 1"	8
56	19261	19261	Wheel, 15", 4 bolt	2
57	19467	19467	Hub assembly, complete	2
58	19538	18538	Bolt, 5/16" - 18 x 3/4", grade 2	X
59	19542	19542	Bolt, 7/16" - 14 x 1", grade 5	X
60	19981	19981	Bolt, 7/16" - 14 x 1-3/4", grade 5	X
61	—	19545	Bolt, 7/16" - 14 x 2-1/4", grade 8	X
62	19588	19588	Bolt, 1/2" - 13 x 1-1/4", grade 5	X
63	—	19589	Bolt, 1/2" - 13 x 1-1/2", grade 2	X
64	19991	19991	Bolt, 5/8" - 11 x 2", grade 5	X
65	19592	19592	Bolt, 3/4" - 10 x 2", grade 5	X
66	19593	19593	Bolt, 3/4" - 10 x 6-1/2", grade 5	X
67	19603	19603	Lockwasher, 5/16"	X
68	—	19605	Lockwasher, 1/2"	X
69	—	19540	Bolt, 3/8" - 16 x 3/4", grade 2	X
70	—	19596	Washer locknut, 3/8" - 16	X
71	19598	19598	Locknut, 7/16" - 14	X
72	19599	19599	Locknut, 1/2" - 13	X
73	19600	19600	Locknut, 5/8" - 11	X
74	19601	19601	Locknut, 3/4" - 10	X
75	19602	19602	Hex nut, 1/2" - 13	X
76	19274	19274	Selftapping screw, #14 x 5/8", w/washerhead	X
77	19224	19224	Woodruff key, 1/4" x 1"	X
78	19225	19225	Set screw, 3/8" - 16 x 3/8"	X
79	—	19807	Upper driveshaft, 4' 0" section	
80	—	19419	Center driveshaft, 6' 4" section	
81	—	19771	Chain flex connector	1
82	—	19606	Square key, 1/4" x 1-1/2"	2
83	19022	19460	Tube half band	1
—	17092	19689	Basic carton	X
84	19799	19799	Bolt, 1/2" - 13 x 4-1/2", grade 2	X
85	19796	19796	Single cross brace	4
86	19797	19797	Tube clamp	4
			* replaces #19137	

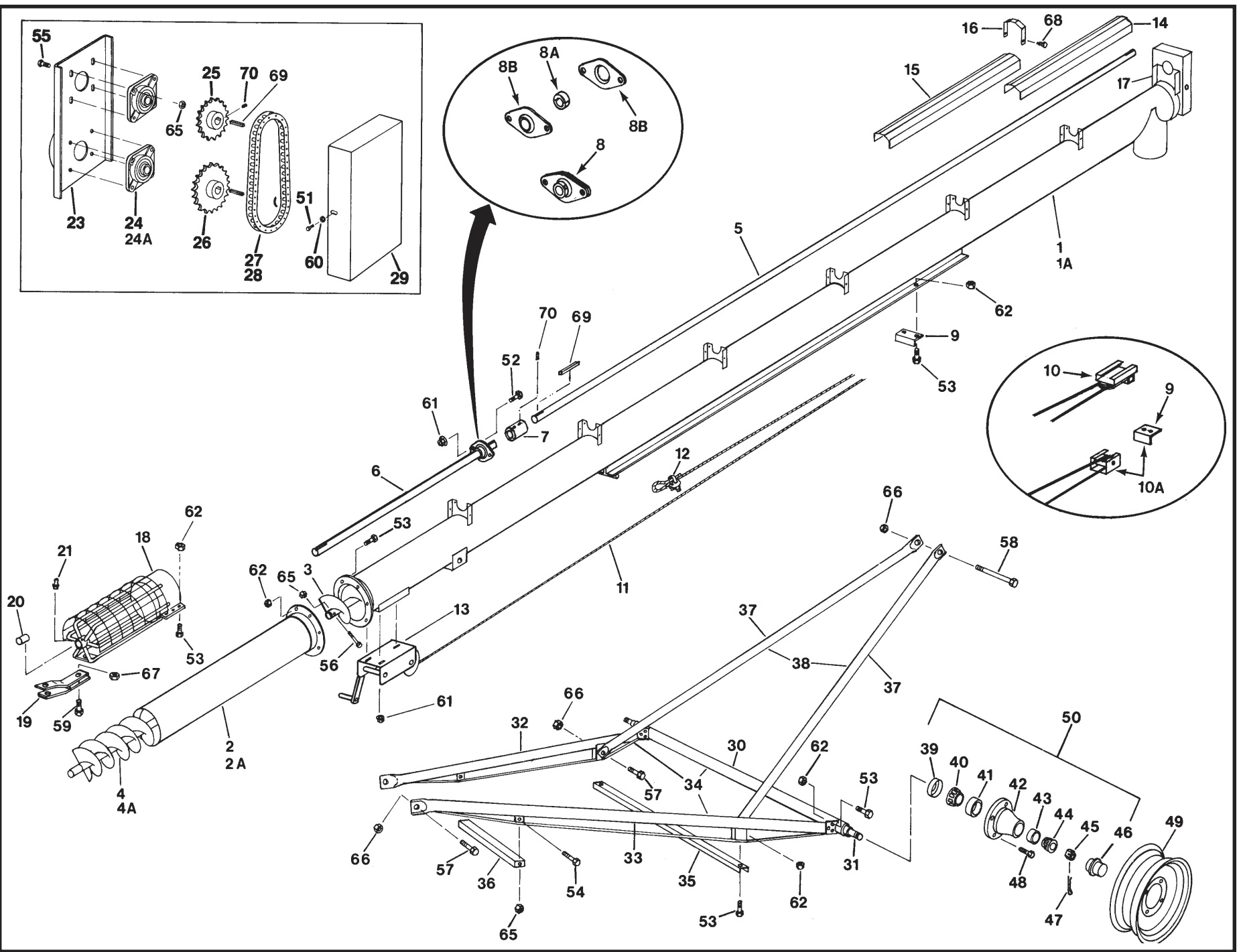
W80 - 71' Basic Auger



A18

Jan - 05

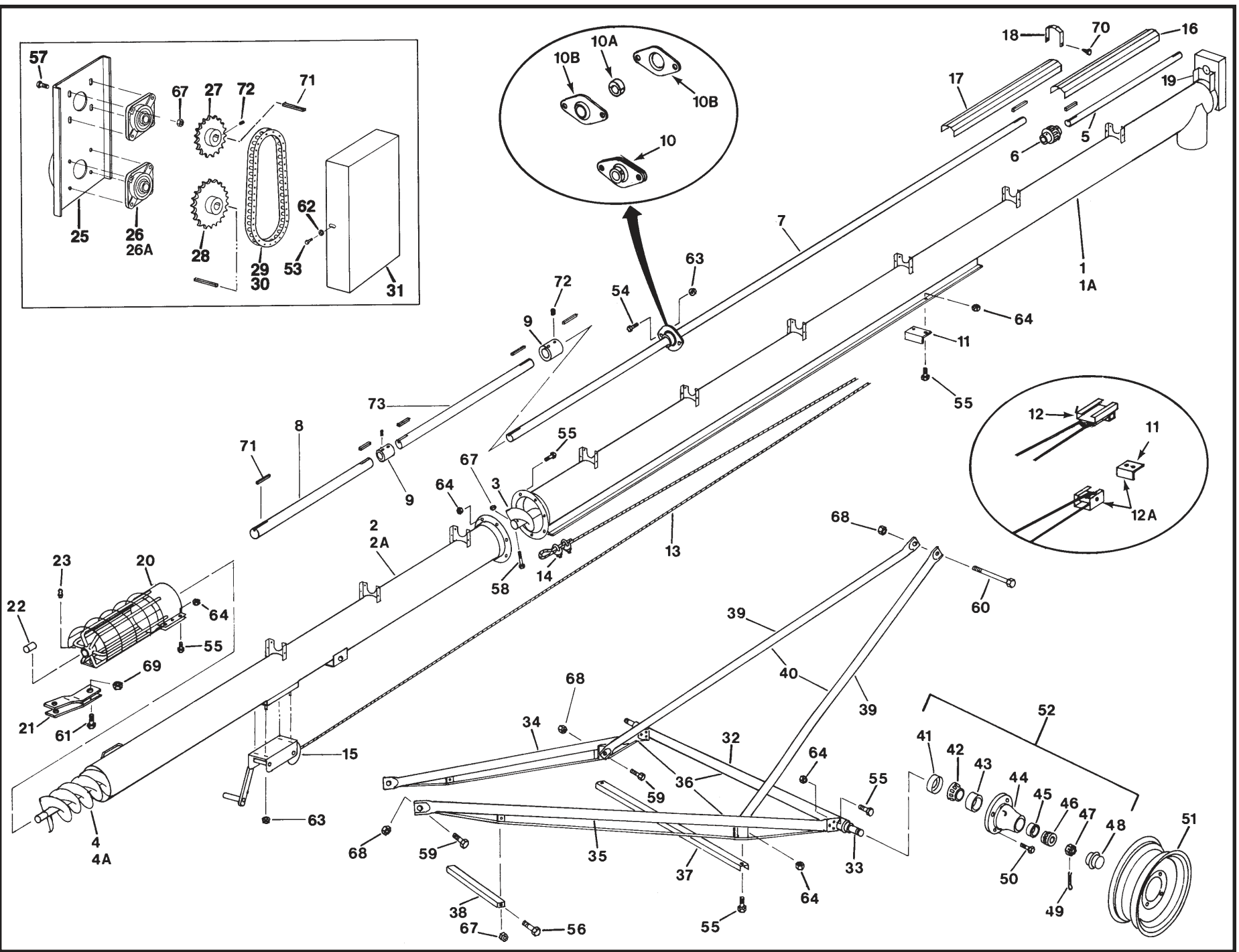
W100 - 31' Basic Auger



A20

Jan - 05

W100 - 41' Basic Auger



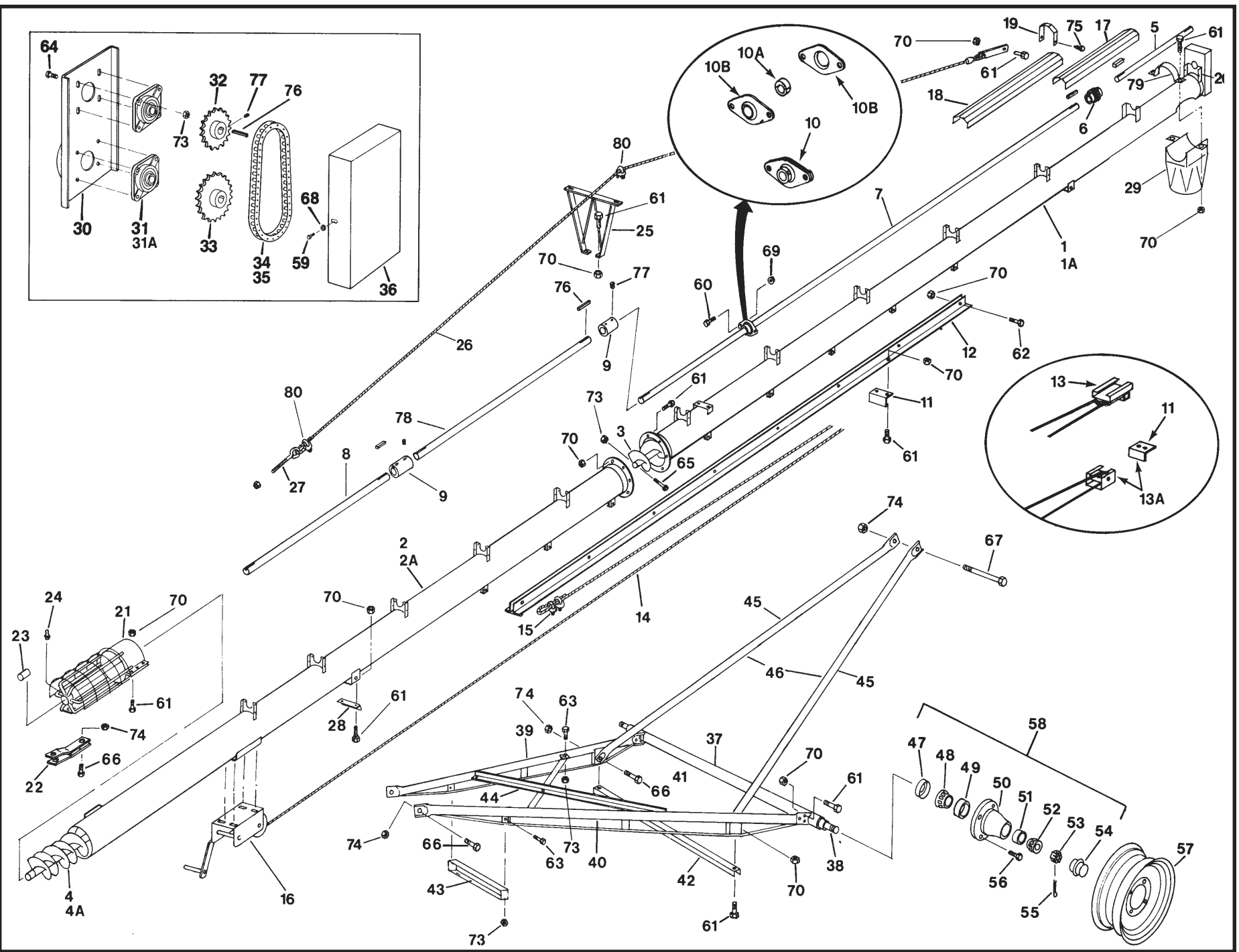
A22

Jan - 05

W100 - 41' Basic Auger

REF. NO.	PART NO.	PARTS DESCRIPTION	NO. REQ'D	REF. NO.	PART NO.	PARTS DESCRIPTION	NO. REQ'D
1	19737	Upper tube section w/driveshaft, housing track	1	49	19271	Cotter pin, 1/8" x 1-1/2"	2
1A	19738	Upper tube bundle, as shipped	1	50	19273	Wheel bolt, 1/2" - 20 x 1"	8
2	19739	Lower tube section with driveshaft	1	51	19261	15" Wheel, 4 bolt	2
2A	19740	Lower tube bundle, as shipped	1	52	19467	Hub assembly, complete	2
3	19753	Upper flight section	1	53	19538	Bolt, 5/16" - 18 x 3/4", grade 2	X
4	19755	Lower flight section	1	54	19540	Bolt, 3/8" - 16 x 3/4", grade 2	X
4A	19760	30" Weld-on crimped intake flight	2	55	19542	Bolt, 7/16" - 14 x 1", grade 5	X
5	19763	Short upper driveshaft, 48" long	1	56	19588	Bolt, 1/2" - 13 x 1-1/4", grade 5	X
6	19771	Chain flex connector	1	57	19589	Bolt, 1/2" - 13 x 1-1/2", grade 2	X
7	19764	Upper driveshaft, 21' 1" long	1	58	19798	Bolt, 1/2" - 13 x 2-3/4", grade 8	X
8	19954	Lower driveshaft, 5' 2-1/2" long	1	59	19590	Bolt, 5/8" - 11 x 1-1/2", grade 5	X
9	19770	Driveshaft connector, 1-1/4" bore	2	60	19591	Bolt, 5/8" - 11 x 6-1/2", grade 5	X
10	19244	1-1/4" ball bearing w/set screws, flanges	9	61	19592	Bolt, 3/4" - 10 x 2", grade 5	X
10A	18693	1-1/4" split hardwood bearing, set of 2 halves	9	62	19603	Lockwasher, 5/16"	X
10B	18695	1-1/4" bearing flange, single, 2 bolt	18	63	19596	Washer-locknut, 3/8" - 16	X
11	18762	Angle track stop only	1	64	19598	Locknut, 7/16" - 14	X
12	19137	Slider track shoe (N/A replaced by 17071)	1	65	19605	Lockwasher, 1/2"	X
12A	17071	Roller track shoe incl. angle track stop *	1	66	19602	Hex nut, 1/2" - 13	X
13	19248	1/4" Cable, 34' 6" long	1	67	19599	Locknut, 1/2" - 13	X
14	19147	1/4" Cable clamp	2	68	19600	Locknut, 5/8" - 11	X
15	19569	Winch, 15:1 ratio	1	69	19601	Locknut, 3/4" - 10	X
16	19254	Driveshaft shield, 42" long	5	70	19274	Selftapping screw, #14 x 5/8", w/washerhead	X
17	19255	Driveshaft shield, 48" long	5	71	19606	Square key, 1/4" x 1-1/2"	X
18	19256	Shield tie-down strap	10	72	19225	Set screw, 3/8" - 16 x 3/8"	X
19	19773	Upper shield attach bracket	1	73	19941	Lower driveshaft, 6' 2-1/4" long	1
20	19774	Intake hitch w/shield, bushing, grease fitting	1	74	19801	Tube half band	1
21	19775	Clevis, less bolt	1	...	19726	Basic carton	
22	19776	1-1/4" Bushing	1				
23	19222	Press-in grease fitting	1				
24	- -						
25	19778	Upper drive housing	1				
26	19567	1-1/4" Bearing, w/4 bolt flange	2				
26A	18852	1-1/4" Bearing, less flange					
27	19779	Upper sprocket, 18 tooth	1				
28	19780	Lower sprocket, 21 tooth	1				
29	19781	Roller chain w/connector	1				
30	19323	Roller chain connector only	1				
31	19782	Housing cover	1				
32	19338	Axle w/spindles, nuts, cotter pins	1				
33	19262	Spindle, weld-on	2				
34	19350	Lower reach tube, left	1				
35	19351	Lower reach tube, right	1				
36	19365	Lower reach frame bundle, as shipped	1				
37	19374	Cross member	1				
38	19637	Short cross member	1				
39	19383	Upper lift tube, left or right	2				
40	19529	Upper lift bundle, as shipped, includes #37	1				
41	19264	Seal	2				
42	19265	Large bearing, Timken #LM 67048	2				
43	19266	Large cup, Timken #LM 67010	2				
44	19267	Hub w/cups	2			* replaces #19137	
45	19268	Small cup, Timken #LM 11910	2				
46	19269	Small bearing, Timken #LM 11949	2				
47	19270	Slotted nut, 3/4" - 16	2				
48	19272	Dust cap	2				

W100 - 51' Basic Auger



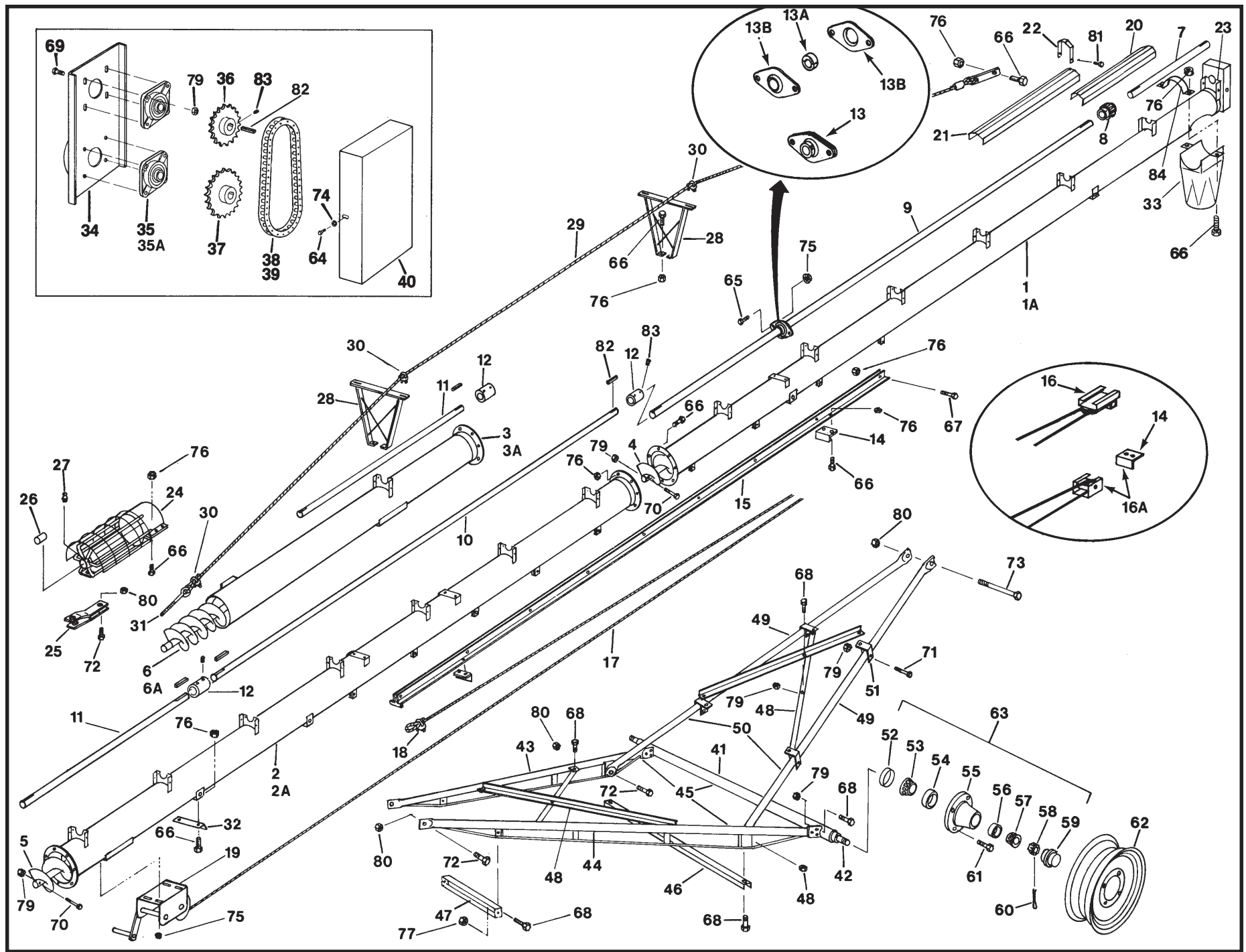
A24

Jan - 05

W100 - 51' Basic Auger

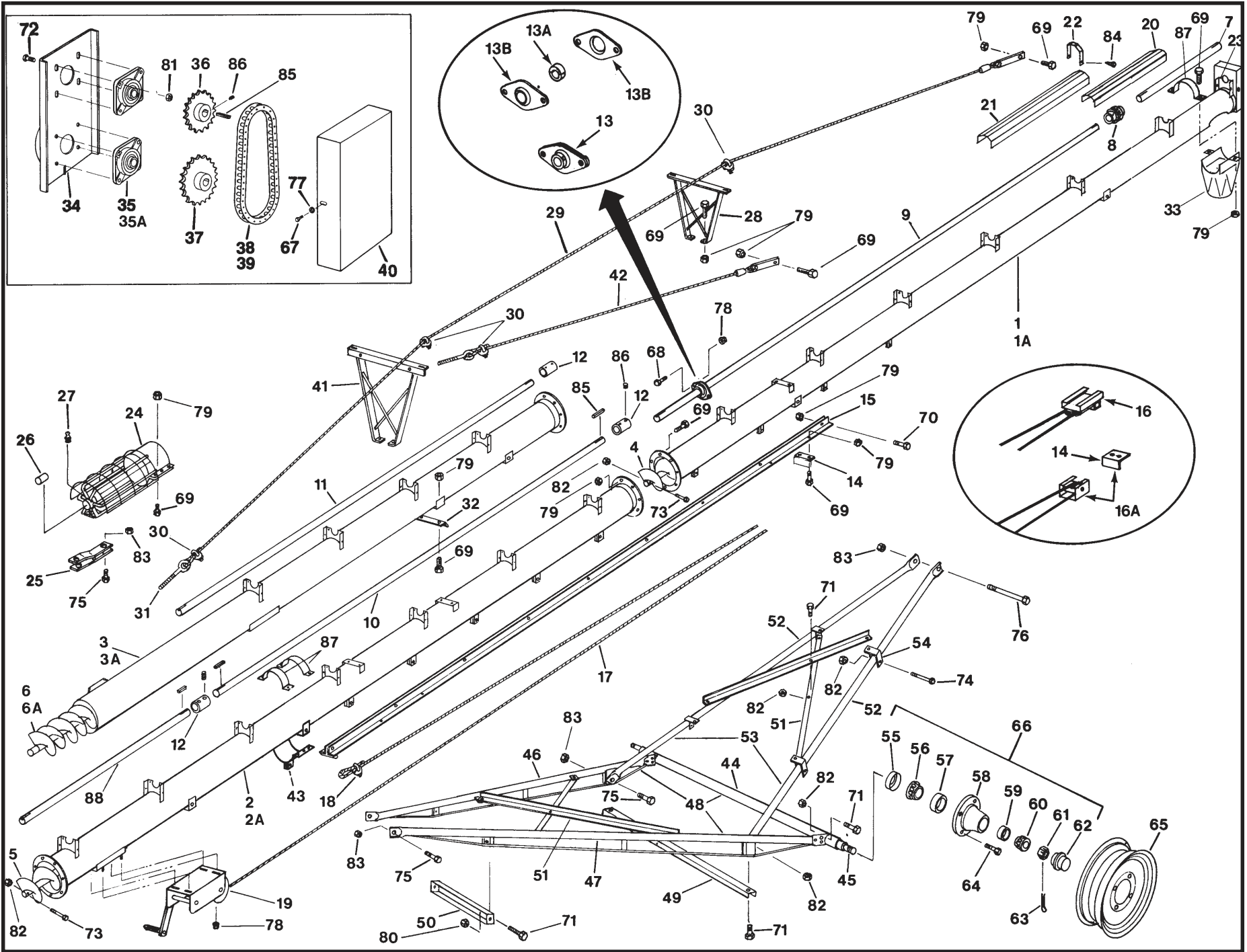
REF. NO.	PART NO.	PARTS DESCRIPTION	NO. REQ'D	REF. NO.	PART NO.	PARTS DESCRIPTION	NO. REQ'D
1	19741	Upper tube section w/driveshaft, housing	1	49	19266	Large cup, Timken #LM 67010	2
1A	19742	Upper tube bundle, as shipped	1	50	19267	Hub w/cups	2
2	19743	Lower tube section, w/driveshaft	1	51	19268	Small cup, Timken #LM 11910	2
2A	19744	Lower tube bundle, as shipped	1	52	19269	Small bearing, Timken #LM 11949	2
3	19753	Upper flight section	1	53	19270	Slotted nut, 3/4" - 16	2
4	19756	Lower flight section	1	54	19272	Dust cap	2
4A	19760	30" Weld-on crimped intake flight	2	55	19271	Cotter pin, 1/8" x 1-1/2"	2
5	19763	Short upper driveshaft, 48" long	1	56	19273	Wheel bolt, 1/2" - 20 x 1"	8
6	19771	Chain flex connector	1	57	19261	15" Wheel, 4 bolt	2
7	19766	Upper driveshaft, 21' 1" long	1	58	19467	Hub assembly, complete	2
8	19953	Lower driveshaft, 9' 9" long	1	59	19538	Bolt, 5/16" - 18 x 3/4", grade 2	X
9	19770	3riveshaft connector, 1-1/4" bore	2	60	19540	Bolt, 3/8" - 16 x 3/4", grade 2	X
10	19244	1-1/4" ball bearing w/set screws, flanges	11	61	19542	Bolt, 7/16" - 14 x 1", grade 5	X
10A	18693	1-1/4" split hardwood bearing, set of 2 halves	11	62	19981	Bolt, 7/16" - 14 x 1-3/4", grade 5	X
10B	18695	1-1/4" bearing flange, single, 2 bolt	22	63	19588	Bolt, 1/2" - 13 x 1-1/4", grade 5	X
11	18762	Angle track stop only	1	64	19589	Bolt, 1/2" - 13 x 1-1/2", grade 2	X
12	19772	Bolt-on track	1	65	19798	Bolt, 1/2" - 13 x 2-3/4", grade 8	X
13	19137	Slider track shoe (N/A replaced by 17071)	1	66	19592	Bolt, 3/4" - 10 x 2", grade 5	X
13A	17071	Roller track shoe incl. angle track stop *	1	67	19593	Bolt, 3/4" - 10 x 6-1/2", grade 5	X
14	19250	1/4" Cable, 46' long	1	68	19603	Lockwasher, 5/16"	X
15	19147	1/4" Cable clamp	2	69	19596	Washer-locknut, 3/8" - 16	X
16	19569	Winch, 15:1 ratio	1	70	19598	Locknut, 7/16" - 14	X
17	19254	Driveshaft shield, 42" long	1	71	19605	Lockwasher, 1/2"	X
18	19255	Driveshaft shield, 48" long	11	72	19602	Hex nut, 1/2" - 13	X
19	19256	Shield tie-down strap	12	73	19599	Locknut, 1/2" - 13	X
20	19773	Upper shield attach bracket	1	74	19601	Locknut, 3/4" - 10	X
21	19774	Intake hitch w/shield, bushing, grease fitting	1	75	19274	Selftapping screw, #14 x 5/8", w/washerhead	X
22	19775	Clevis, less bolt	1	76	19606	Square key, 1/4" x 1-1/2"	X
23	19776	1-1/4" Bushing	1	77	19225	Set screw, 3/8" - 16 x 3/8"	X
24	19222	Press-in grease fitting	1	78	19942	Lower driveshaft, 11' 8" section	1
25	19324	Truss support bracket, low	1	79	19801	Tube half band	1
26	19327	Single truss cable w/end plate, 32' 6" long	2	80	19333	5/16" cable clamp	4
27	19331	Eye bolt w/nut	2	...	19727	Basic carton	
28	19332	Truss attach angle	1				
29	18029	Spout, less half band	1				
30	19778	Upper drive housing	1				
31	19567	1-1/4" Bearing, w/4 bolt flange	2				
31A	18852	1-1/4" Bearing, less flange					
32	19779	Upper sprocket, 18 tooth	1				
33	19780	Lower sprocket, 21 tooth	1				
34	19781	Roller chain w/connector	1				
35	19323	Roller chain connector only	1				
36	19782	Housing cover	1				
37	18090	Axle w/spindles, nuts, cotter pins	1				
38	19263	Spindle, weld-on	2				
39	19789	Lower reach tube, left	1				
40	19790	Lower reach tube, right	1				
41	19791	Lower reach frame bundle as shipped, incl. #44	1				
42	19376	Cross member	1				
43	18914	Short cross member, 2 bolt	1				
44	19796	Single cross brace	2				
45	19792	Upper lift tube, left or right	2				
46	19793	Upper lift bundle, as shipped, includes #42	1				
47	19264	Seal	2				
48	19265	Large bearing, Timken #LM 67048	2			* replaces #19137	

W100 - 61' Basic Auger



A26

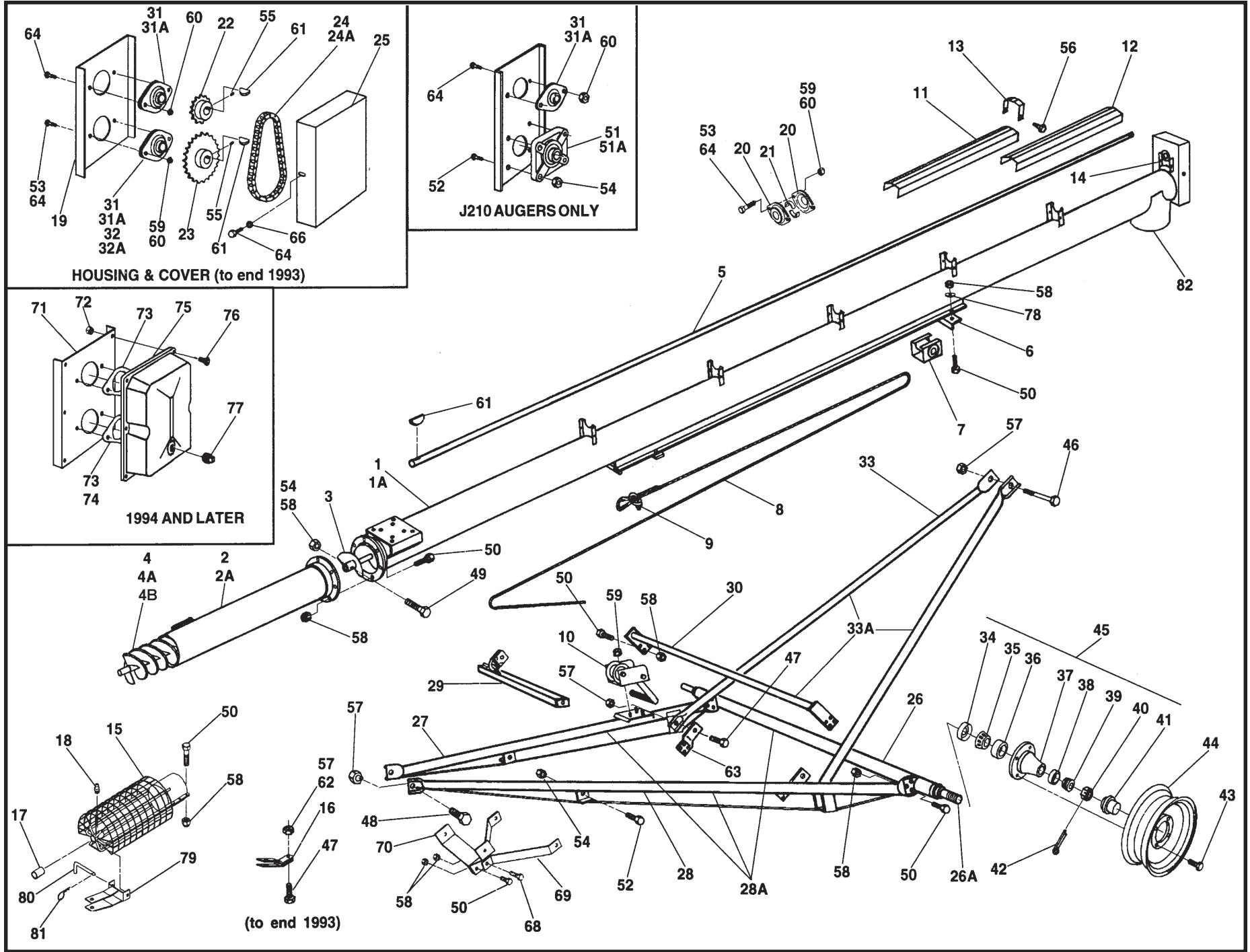
Jan - 05



W100 - 71' Basic Auger

REF. NO.	PART NO.	PARTS DESCRIPTION	NO. REQ'D
1	19745	Upper tube section w/driveshaft, housing	1
1A	19746	Upper tube bundle, as shipped	1
2	19747	Center tube section w/driveshaft	1
2A	19748	Center tube bundle, as shipped	1
3	19751	Lower tube section with driveshaft	1
3A	19752	Lower tube bundle, as shipped	1
4	19753	Upper flight section	1
5	19757	Center flight section	1
6	19759	Lower flight section	1
6A	19760	30" Weld-on crimped intake flight	2
7	19763	Short upper driveshaft, 48" long	1
8	19771	Chain flex connector	1
9	19766	Upper driveshaft, 21' 1" long	1
10	19943	Center driveshaft, 18' 9" long	1
11	19769	Lower driveshaft, 16' 4" long	1
12	19770	Driveshaft connector, 1-1/4" bore	3
13	19244	1-1/4" ball bearing w/set screws, flanges	17
13A	18693	1-1/4" split hardwood bearing, set of 2 halves	17
13B	18695	1-1/4" bearing flange, single, 2 bolt	34
14	18762	Angle track stop only	1
15	19259	Bolt-on track	1
16	19137	Slider track shoe (N/A replaced by 17071)	1
16A	17071	Roller track shoe incl. angle track stop *	1
17	19253	1/4" Cable, 74' long	1
18	19147	1/4" Cable clamp	2
19	19569	Winch, 15:1 ratio	1
20	19254	Driveshaft shield, 42" long	6
21	19255	Driveshaft shield, 48" long	12
22	19256	Shield tie-down strap	18
23	19773	Upper shield attach bracket	1
24	19774	Intake hitch w/shield, bushing, grease fitting	1
25	19775	Clevis, less bolt	1
26	19776	1-1/4" Bushing	1
27	19222	Press-in grease fitting	1
28	19324	Truss support bracket, low	1
29	19329	Single truss cable w/end plate, 51' long	2
30	19333	5/16" Cable clamp	8
31	19331	Eye bolt w/nut	4
32	19332	Truss attach angle	1
33	18029	Spout, less half band	1
34	19778	Upper drive housing	1
35	19567	1-1/4" Bearing, w/4 bolt flange	2
35A	18852	1-1/4" Bearing, less flange	
36	19779	Upper sprocket, 18 tooth	1
37	19780	Lower sprocket, 21 tooth	1
38	19781	Roller chain w/connector	1
39	19323	Roller chain connector only	1
40	19782	Housing cover	1
41	19325	Truss support bracket, high	1
42	19330	Short single truss cable w/end plate, 18' 2" long	2
43	18555	Strap-on track attach clamp	1
44	19343	Axle w/spindle, nuts, cotter pins	1
45	19263	Spindle, weld-on	2
46	19360	Lower reach tube, left	1
47	19361	Lower reach tube, right	1

REF. NO.	PART NO.	PARTS DESCRIPTION	NO. REQ'D
48	19370	Lower reach frame bundle as shipped, incl. #51	1
49	19379	Cross member	1
50	18914	Short cross member 2 bolt	1
51	19796	Single cross brace	4
52	19525	Upper lift tube, left or right	2
53	19535	Upper lift bundle, as shipped, includes Ref. #49	1
54	19797	Tube clamp, less bolt	4
55	19264	Seal	2
56	19265	Large bearing, Timken #LM 67048	2
57	19266	Large cup, Timken #LM 67010	2
58	19267	Hub w/cups	2
59	19268	Small cup, Timken #LM 11910	2
60	19269	Small bearing, Timken #LM 11949	2
61	19270	Slotted nut, 3/4" - 16	2
62	19272	Dust cap	2
63	19271	Cotter pin, 1/8" x 1/2"	2
64	19273	Wheel bolt, 1/2" - 20	8
65	19261	15" Wheel, 4 bolt	2
66	19467	Hub assembly, complete	2
67	19538	Bolt, 5/16" - 18 x 3/4", grade 2	2
68	19540	Bolt, 3/8" - 16 x 3/4", grade 2	X
69	19542	Bolt, 7/16" - 14 x 1", grade 5	X
70	19981	Bolt, 7/16" - 14 x 1-3/4", grade 5	X
71	19588	Bolt, 1/2" - 13 x 1-1/4", grade 5	X
72	19589	Bolt, 1/2" - 13 x 1-1/2", grade2	X
73	19798	Bolt, 1/2" - 13 x 2-3/4", grade 8	X
74	19799	Bolt, 1/2" - 13 x 4-1/2", grade 2	X
75	19592	Bolt, 3/4" - 10 x 2", grade 5	X
76	19593	Bolt, 3/4" - 10 x 6-1/2", grade 5	X
77	19603	Lockwasher, 5/16"	X
78	19596	Washer-locknut, 3/8" - 16	X
79	19598	Locknut, 7/16" - 14	X
80	19605	Lockwasher, 1/2"	X
82	19599	Locknut, 1/2" - 13	X
83	19601	Locknut, 3/4" - 10	X
84	19274	Selftapping screw, #14 x 5/8", w/washerhead	X
85	19606	Square key, 1/4" x 1-1/2"	X
86	19225	Set screw, 3/8" - 16 x 3/8"	X
87	19801	Tube halfband	3
—	19729	Basic carton	1
88	19768	Center driveshaft 6' 4" long	1
		* replaces #19137	



HOUSING & COVER (to end 1993)

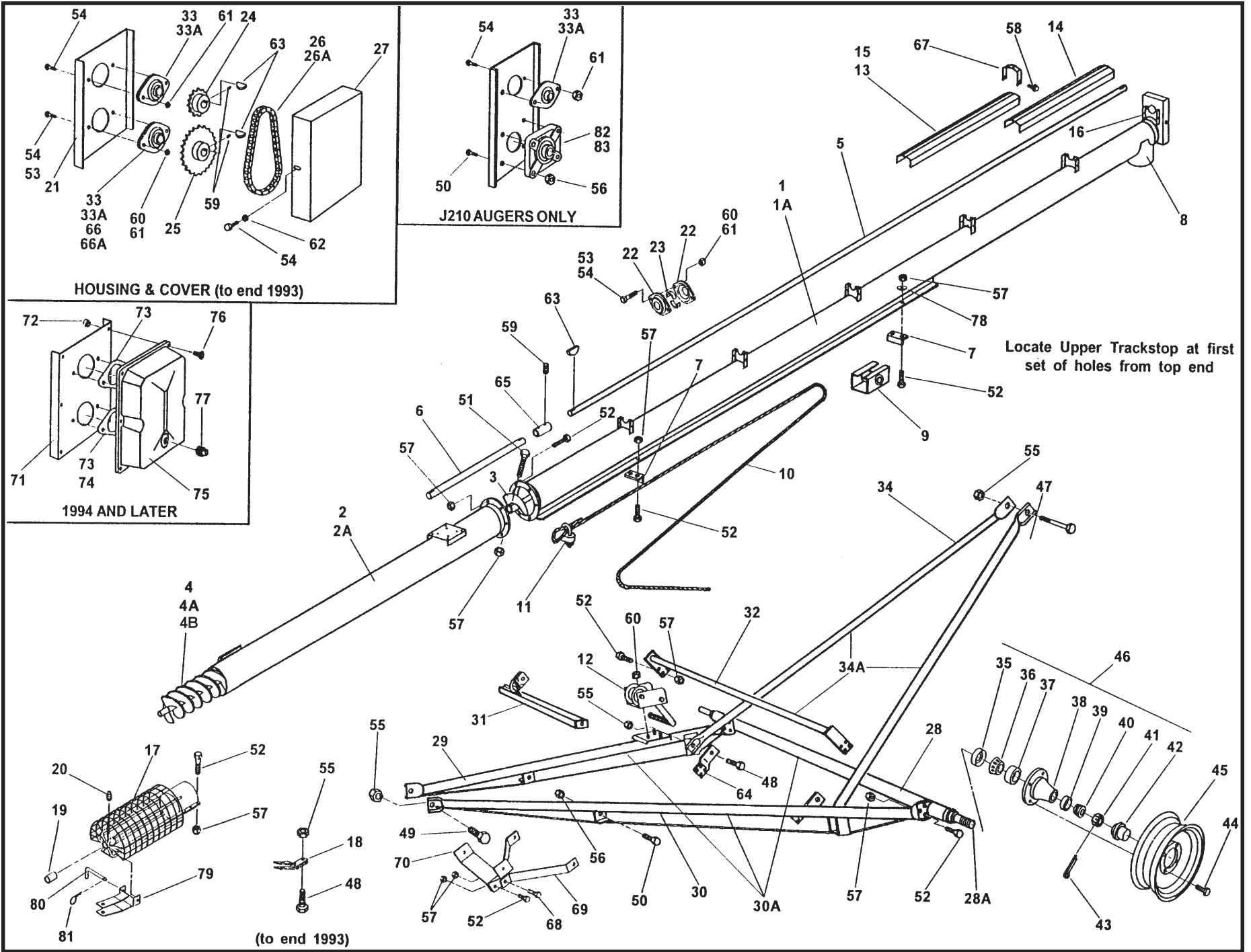
J210 AUGERS ONLY

1994 AND LATER

(to end 1993)

REF. NO.	PART NO.				PARTS DESCRIPTION
	J206	J207	J208	J210	
1	18703	18704	18705	18706	Upper tube section w/driveshaft, housing, track
1A	18714	18715	18716	18717	Upper tube bundle, as shipped
2	19007	19106	19390	19735	Lower tube section
2A	19060	19061	19062	19736	Lower tube bundle, as shipped
3	19006	19105	19402	19753	Upper flight section
4	19010	19111	19393	19754	Lower flight section
4A	19083	19084	19085	19760	Weld-on crimped intake flight
4B	17532	17533	17534	17535	Slip on intake flight (1998 & later)
5	18700	18700	—	—	Driveshaft, upper, 1" x 24' 2"
5	—	—	18702	18702	Driveshaft, upper, 1-1/4" x 24'
6	18762	18762	18762	18762	Track stop
7	18763	18763	18763	18763	Roller track shoe
8	18822	18822	18822	18822	1/4" Cable, 27' long
9	19147	19147	19147	19147	1/4" Cable clamp
10	19151	19151	19151	19152	Brake winch
11	19254	19254	19254	19254	42" Driveshaft shield
12	19255	19255	19255	19255	48" Driveshaft shield
13	19256	19256	19256	19256	Shield tie down strap
14	19257	19257	19257	19257	Shield attach bracket
15	19019	19192	19398	19774	Intake hitch w/shield, bushing, grease fitting
16	19442	19442	19442	19775	Clevis, less bolt
17	19149	19149	19149	—	1" Bushing
17	—	—	—	19776	1-1/4" Bushing
18	19222	19222	19222	19222	Press-in grease fitting
19	19313	19314	19315	18841	Upper drive housing
20	18694	18694	18694	18694	1" Bearing flange, single
20	—	—	18695	18695	1-1/4" Bearing flange, single
21	18692	18692	—	—	1" Split hardwood bearing, set of 2 halves
21	—	—	18693	18693	1-1/4" Split hardwood bearing, set of 2 halves
22	19131	19131	19430	19430	Upper sprocket
23	19132	19132	19431	18697	Lower sprocket
24	19015	19133	19432	18696	Roller chain w/connector
24A	19134	19134	19433	19433	Roller chain connector only
25	19317	19318	19319	18842	Housing cover
26	18787	18787	18787	18787	Axle w/spindles, nuts, cotter pins
26A	19262	19262	19262	19262	Weld-on spindle only
27	18765	18765	18765	18721	Lower reach tube, left
28	18770	18770	18770	18724	Lower reach tube, right
28A	18775	18775	18775	18786	Lower reach frame bundle as shipped incl. pn#18807
29	18793	18793	18793	18793	Short cross member
30	18796	18796	18796	18796	Long cross member
31	19321	19321	19321	19321	1" Flangette bearing, 2 bolt
31A	18817	18817	18817	18817	1" Bearing, less flange
32	—	—	19322	—	1-1/4" Flangette bearing, 2 bolts
32A	—	—	18853	—	1-1/4" Bearing, less flange
33	19381	19381	19381	19787	Upper lift tube, left or right, single
33A	18781	18781	18781	18780	Upper lift tube bundle, as shipped, incl. ref.#30
34	19264	19264	19264	19264	Seal
35	19265	19265	19265	19265	Large bearing, Timken #LM 67048
36	19266	19266	19266	19266	Large cup, Timken #LM 67010
37	19267	19267	19267	19267	Hub w/cups
38	19268	19268	19268	19268	Small cup, Timken #LM 11910
39	19269	19269	19269	19269	Small bearing, Timken #LM 11949
40	19270	19270	19270	19270	Slotted nut, 3/4" - 16

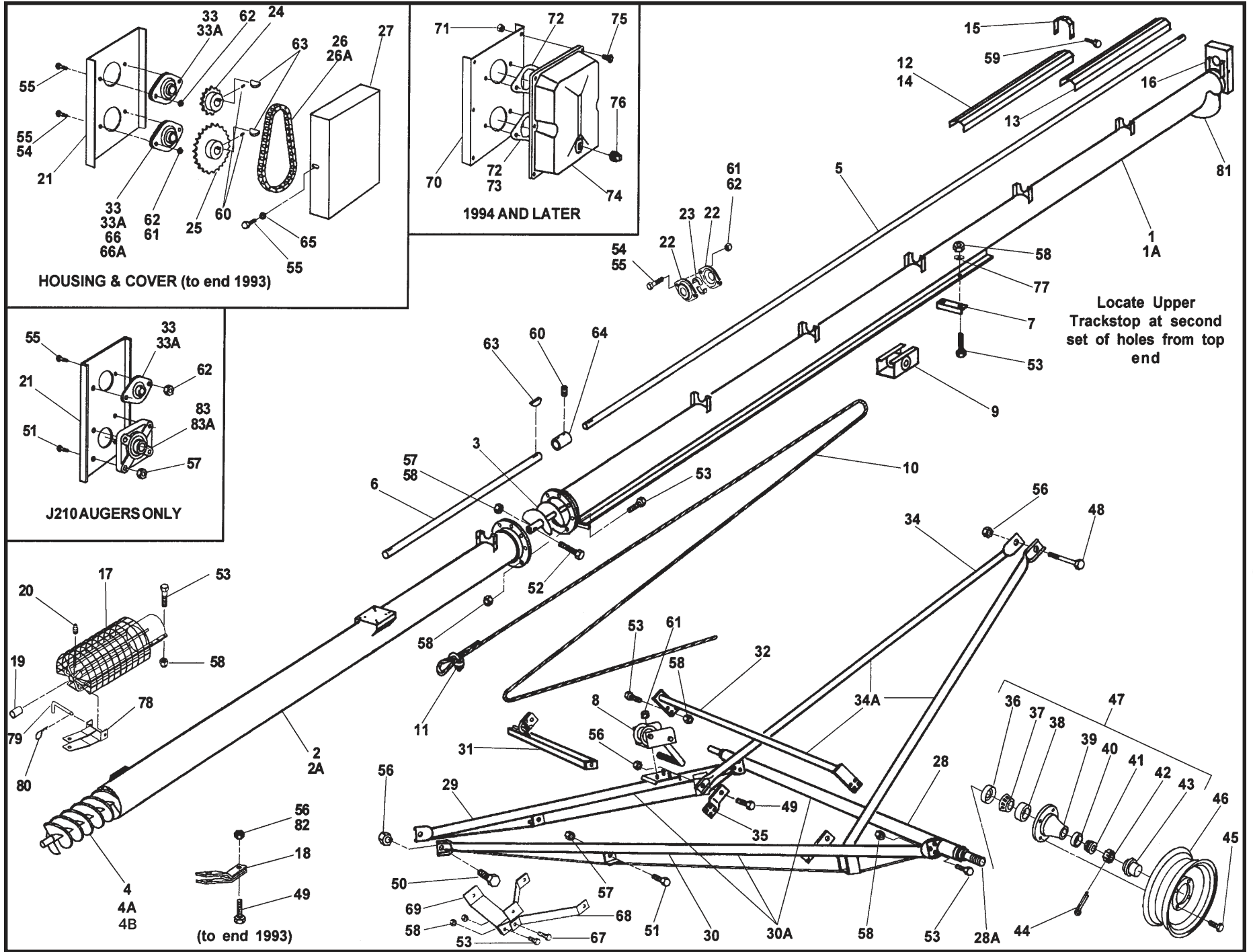
REF. NO.	PART NO.				PARTS DESCRIPTION
	J206	J207	J208	J210	
41	19272	19272	19272	19272	Dust cap
42	19271	19271	19271	19271	Cotter pin, 1/8" x 1-1/2"
43	19273	19273	19273	19273	Wheel bolt, 1/2" - 20
44	19261	19261	19261	19261	15" Wheel, 4 bolt
45	19467	19467	19467	19467	Hub assembly, complete
46	19591	19591	19591	19591	Bolt, 5/8" - 11 x 6-1/2", grade 5
47	—	—	—	19592	Bolt, 3/4" - 10 x 2", grade 5
47	19991	19991	19991	—	Bolt, 5/8" - 11 x 2", grade 5
48	19590	19590	19590	19590	Bolt, 5/8" - 11 x 1-1/2", grade 5
49	—	—	—	19798	Bolt, 1/2" - 13 x 2-3/4", grade 8
49	—	—	19545	—	Bolt, 7/16" - 14 x 2-1/4", grade 8
50	19542	19542	19542	19542	Bolt, 7/16" - 14 x 1", grade 5
51	—	—	—	19567	1-1/4" Pillow bearing, 4 bolts
51A	—	—	—	18852	1-1/4" Bearing less flange
52	19588	19588	19588	19588	Bolt, 1/2" - 13 x 1-1/4", grade 5
53	—	—	19540	19540	Bolt, 3/8" - 16 x 3/4", grade 2
54	19599	19599	19599	19599	Locknut, 1/2" - 13
55	19225	19225	19225	19225	Setscrew, 3/8" - 16 x 3/8"
56	19274	19274	19274	19274	Selftapping screw, 1/4" - 14 x 5/8"
57	19600	19600	19600	19600	Locknut, 5/8" - 11
58	19598	19598	19598	19598	Locknut, 7/16" - 14
59	—	—	19596	19596	Washer locknut, 3/8" - 16
60	19595	19595	—	—	Washer locknut, 5/16" - 18
61	19224	19224	19224	19224	Woodruff key, 1/4" x 1"
62	—	—	—	19601	Locknut, 3/4" - 10
63	—	—	—	18804	Upper lift tube extension
63	18799	18799	18799	—	Upper lift tube extension
64	19538	19538	19538	19538	Bolt, 5/16" - 18 x 3/4", grade 2
65	—	—	—	19605	Lockwasher, 1/2"
66	19603	19603	19603	19603	Lockwasher, 5/16"
67	—	—	—	19602	Hex nut, 1/2" - 13
68	19981	19981	19981	19981	Bolt, 7/16" - 14 x 1-3/4", grade 5
69	17116	17116	17116	17116	Stabilizer brace, single
70	17117	17117	17117	17117	Stabilizer bracket, single
71	17170	17171	17172	17226	Upper drive housing (1994 and later)
72	19594	19594	19594	19594	Washer locknut, 1/4" - 20
73	17167	17167	17167	17167	Gasket for 1" flangette bearing
74	—	—	17168	—	Gasket for 1-1/4" flangette bearing
75	17157	17157	17158	17160	Oil bath housing cover
76	19988	19988	19988	19988	Bolt, 1/4" - 20 x 1", grade 2
77	17179	17179	17179	17179	3/8" Plug
78	17182	17182	17182	17182	Track washer, 7/16"
79	17123	17123	17123	17180	Clevis, less pin
80	17181	17181	17181	17181	Clevis pin
81	17383	17383	17383	17383	Grip Clip
82	19020	17155	17156	17225	Weld-on outlet spout
—	18657	—	—	—	J206 - 31 Carton
—	—	18660	—	—	J207 - 31 Carton
—	—	—	18665	—	J208 - 31 Carton
—	—	—	—	18670	J210 - 31 Carton
—	18671	18671	18671	18671	J31/46 Carton
—	18673	18673	18673	18673	J6/10-31/51 Carton
—	18674	18674	18674	18674	J1 - 5 - 0 Carton



REF. NO.	PART NO.				PARTS DESCRIPTION
	J206	J207	J208	J210	
1	18707	18708	18709	17585	Upper tube section w/driveshaft, housing, track
1A	18718	18719	18720	17520	Upper tube bundle, as shipped
2	18729	18730	18731	17661	Lower tube section
2A	18747	18748	18749	17612	Lower tube bundle, as shipped
3	19006	19105	19402	19753	Upper flight section
4	19011	19012	19407	19758	Lower flight section
4A	19083	19084	19085	—	Weld-on crimped intake flight
4B	17532	17533	17534	17535	Slip on intake flight (1998 & later)
5	18700	18700	—	—	Driveshaft, upper, 1" x 24' 2"
5	—	—	18702	18702	Driveshaft, upper, 1-1/4" x 24'
6	19236	19236	—	—	Driveshaft, lower, 1" x 3' 9-1/2"
6	—	—	19237	19237	Driveshaft, lower, 1-1/4" x 3' 9-1/2"
7	18762	18762	18762	18762	Track slop
8	19020	17155	17156	17225	Weld-on outlet spout
9	18763	18763	18763	18763	Roller track shoe
10	19248	19248	19248	19248	1/4" Cable, 34' 6" long
11	19147	19147	19147	19147	1/4" Cable clamp
12	19151	19151	19151	19152	Brake winch
13	19254	19254	19254	19254	42" Driveshaft shield
14	19255	19255	19255	19255	48" Driveshaft shield
15	18829	18829	18829	18829	60" Driveshaft shield
16	19257	19257	19257	19257	Shield attach bracket
17	19019	19192	19398	19774	Intake hitch w/shield, bushing, grease fitting
18	19442	19442	19442	19775	Clevis, less bolt
19	19149	19149	19149	—	1" Bushing
19	—	—	—	19776	1-1/4" Bushing
20	19222	19222	19222	19222	Press-in grease fitting
21	19313	19314	19315	—	Upper drive housing
22	18694	18694	—	—	1" Bearing flange, single
22	—	—	18695	18695	1-1/4" Bearing flange, single
23	18692	18692	—	—	1" Split hardwood bearing, set of 2 halves
23	—	—	18693	18693	1-1/4" Split hardwood bearing, set of 2 halves
24	19131	19131	19430	19430	Upper sprocket, 14 tooth
25	19132	19132	19431	18697	Lower sprocket, 25 tooth
26	19015	19133	19432	18696	Roller chain w/connector
26A	19134	19134	19433	19433	Roller chain connector only
27	19317	19318	19319	—	Housing cover
28	18788	18788	18788	18788	Axle w/spindles, nuts, cotter pins
28A	19262	19262	19262	19262	Weld-on spindle only
29	18766	18766	18766	17663	Lower reach tube, left
30	18771	18771	18771	17664	Lower reach tube, right
30A	18776	18776	18776	17613	Lwr reach frame bundle, as shipped, w/ part #18808
31	18793	18793	18793	18793	Short cross member
32	18797	18797	18797	18797	Long cross member
33	19321	19321	19321	19321	1" Flangette bearing, 2 bolt
33A	18817	18817	18817	18817	1" Bearing, less flanges
34	19382	19382	19382	17662	Upper lift lube, left or right, single
34A	18782	18782	18782	17614	Upper lift tube bundle, as shipped, incl. ref. #32
35	19264	19264	19264	19264	Seal
36	19265	19265	19265	19265	Large bearing, Timken #LM67048
37	19266	19266	19266	19266	Large cup, Timken #LM67010
38	19267	19267	19267	19267	Hub w/cups
39	19268	19268	19268	19268	Small cup, Timken #L-M 11910
40	19269	19269	19269	19269	Small bearing, Timken #LM 11949

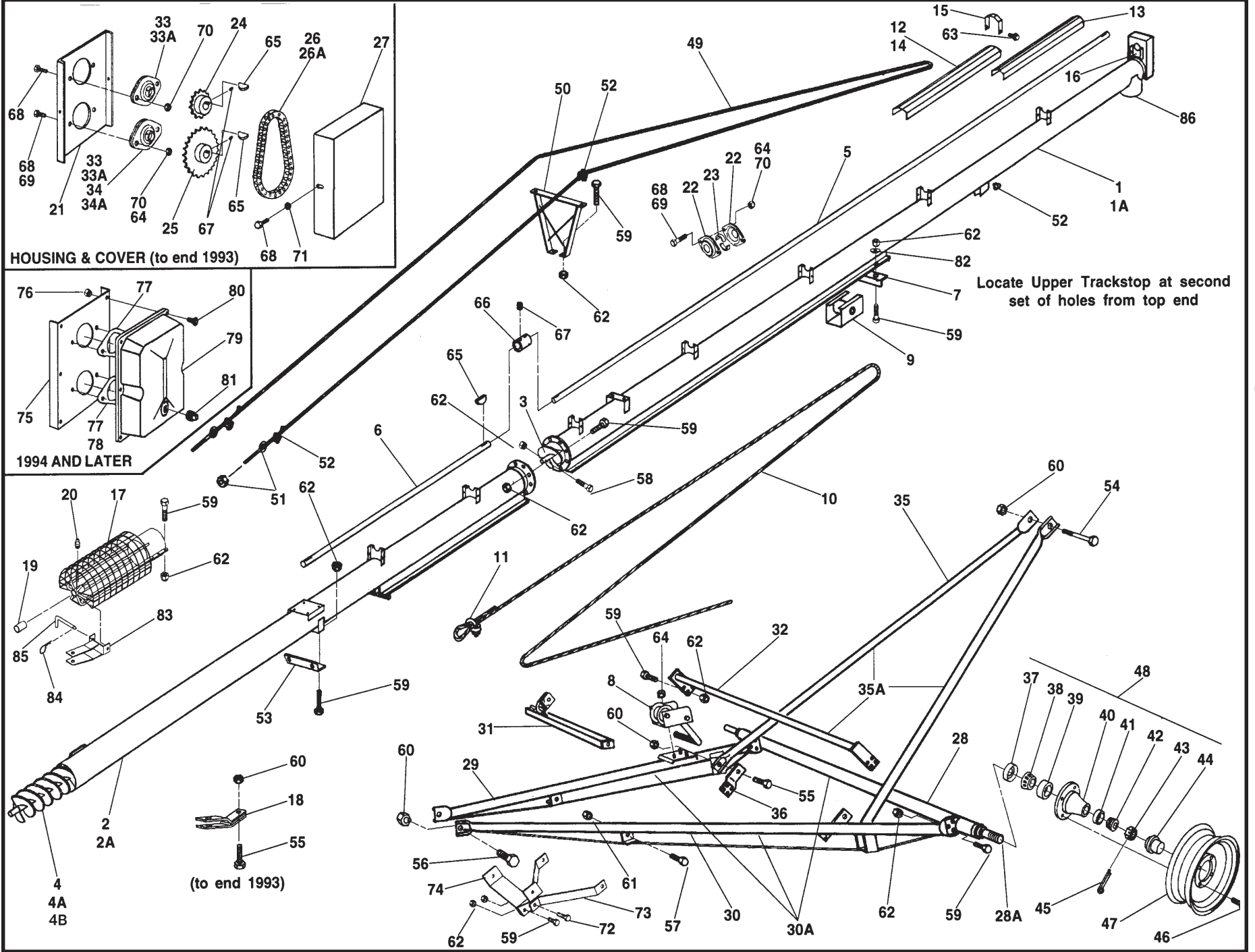
REF. NO.	PART NO.				PARTS DESCRIPTION
	J206	J207	J208	J210	
41	19270	19270	19270	19270	Slotted nut, 3/4" - 16
42	19272	19272	19272	19272	Dust cap
43	19271	19271	19271	19271	Cotter pin, 1/8" x 1-1/2"
44	19273	19273	19273	19273	Wheel Bolt, 1/2" - 20
45	19261	19261	19261	19261	15" Wheel, 4 bolt
46	19467	19467	19467	19467	Hub assembly, complete
47	19591	19591	19591	19591	Bolt, 5/8" - 11 x 6-1/2", grade 5
48	19991	19991	19991	19991	Bolt, 5/8" - 11 x 2", grade 5
49	19590	19590	19590	19590	Bolt, 5/8" - 11 x 1-1/2", grade 5
50	19588	19588	19588	19588	Bolt, 1/2" - 13 x 1-1/4", grade 5
51	—	—	19545	—	Bolt, 7/16" - 14 x 2-1/4", grade 8
51	—	—	—	19798	Bolt, 1/2" - 13 x 2-3/4", grade 8
52	19542	19542	19542	19542	Bolt, 7/16" - 14 x 1", grade 5
53	19540	19540	19540	—	Bolt, 3/8" - 16 x 3/4", grade 2
54	19538	19538	19538	19538	Bolt, 5/16" - 18 x 3/4", grade 2
55	19600	19600	19600	19600	Locknut, 5/8" - 11
56	19599	19599	19599	19599	Locknut, 1/2" - 13
57	19598	19598	19598	19598	Locknut, 7/16" - 14
58	19274	19274	19274	19274	Selftapping screw, 1/4" - 14 x 5/8"
59	19225	19225	19225	19225	Setscrew, 3/8" - 16 x 3/8"
60	19596	19596	19596	19596	Washer locknut, 3/8" - 16
61	19595	19595	19595	19595	Washer locknut, 5/16" - 18
62	19603	19603	19603	—	Lockwasher, 5/16"
63	19224	19224	19224	19224	Woodruff key, 1/4" x 1"
64	18799	18799	18799	18804	Upper lift tube extension
65	19119	19119	19119	19119	Driveshaft connector
66	—	—	19322	—	1-1/4" Flangette bearing, 2 bolt
66A	—	—	18853	—	1-1/4" Bearing less flange
67	19256	19256	19256	19256	Shield tie down strap
68	19981	19981	19981	19981	Bolt, 7/16" - 14 x 1-3/4", grade 5
69	17116	17116	17116	17116	Stabilizer brace, single
70	17117	17117	17117	17117	Stabilizer bracket, single
71	17170	17171	17172	17226	Upper drive housing (1994 and later)
72	19594	19594	19594	19594	Washer locknut, 1/4" - 20
73	17167	17167	17167	17167	Gasket for 1" flangette bearing
74	—	—	17168	—	Gasket for 1-1/4" flangette bearing
75	17157	17157	17158	17160	Oil bath housing cover
76	19988	19988	19988	19988	Bolt, 1/4" - 20 x 1", grade 2
77	17179	17179	17179	17179	3/8" Plug
78	17182	17182	17182	17182	Track washer, 7/16"
79	17123	17123	17123	17180	Clevis less pin
80	17181	17181	17181	17181	Clevis pin
81	17383	17383	17383	17383	Grip clip
82	—	—	—	19567	1-1/4" Pillow bearing, 4 bolt
83	—	—	—	18852	1-1/4" bearing, less flange
—	—	18658	—	—	J206 - 36 Carton
—	—	18661	—	—	J207 - 36 Carton
—	—	—	18666	—	J208 - 36 Carton
—	—	—	—	17615	J210-36 Carton
—	18671	18671	18671	18671	J31/46 Carton
—	18673	18673	18673	18673	J6/10 - 31/51 Carton
—	18675	18675	18675	18675	J1-1 -4 Carton

J206, J207, J208 & J210- 36' Basic Auger



REF. NO.	PART NO.				PARTS DESCRIPTION
	J206	J207	J208	J210	
1	18707	18708	18709	17585	Upper tube section w/driveshaft, housing, track
1A	18718	18719	18720	17520	Upper tube bundle, as shipped
2	18733	18734	18735	17586	Lower tube section
2A	18751	18752	18753	17521	Lower tube bundle, as shipped
3	19006	19105	19402	19753	Upper flight section
4	19012	19113	19408	19755	Lower flight section
4A	19083	19084	19085	19760	Weld-on crimped intake flight
4B	17532	17533	17534	17535	Slip on intake flight (1998 & later)
5	18700	18700	—	—	Driveshaft, upper, 1" x 24' 2"
5	—	—	18702	18702	Driveshaft, upper, 1-1/4" x 24'
6	18827	18827	—	—	Driveshaft, lower, 1" x 6' 10-1/2"
6	—	—	18828	18828	Driveshaft, lower, 1-1/4" x 7' 0-1/2"
7	18762	18762	18762	18762	Upper track stop
8	19151	19151	19152	19152	Brake winch
9	18763	18763	18763	18763	Roller trackshoe
10	18823	18823	18823	18823	1/4" Cable, 38' long
11	19147	19147	19147	19147	1/4" Cable clamp
12	19254	19254	19254	19254	42" Driveshaft shield
13	19255	19255	19255	19255	48" Driveshaft shield
14	18829	18829	18829	18829	60" Driveshaft shield
15	19256	19256	19256	19256	Shield tie-down strap
16	19257	19257	19257	19257	Shield attach bracket
17	19019	19192	19398	19774	Intake hitch w/shield, bushing, grease fitting
18	19442	19442	19442	19775	Clevis, less bolt
19	19149	19149	19149	—	1" Bushing
19	—	—	—	19776	1-1/4" Bushing
20	19222	19222	19222	19222	Press-in grease fitting
21	19313	19314	19315	18841	Upper drive housing
22	18694	18694	—	—	1" Bearing flange, single
22	—	—	18695	18695	1-1/4" Bearing flange, single
23	18692	18692	—	—	1" Split hardwood bearing, set of 2 halves
23	—	—	18693	18693	1-1/4" Split hardwood bearing, set of 2 halves
24	19131	19131	19430	19430	Upper sprocket
25	19132	19132	19431	18697	Lower sprocket
26	19015	19133	19432	18696	Roller chain w/connector
26A	19134	19134	19433	19433	Roller chain connector only
27	19317	19318	19319	18842	Housing cover
28	18788	18788	18788	18788	Axle w/spindles, nuts, cotter pins
28A	19262	19262	19262	19262	Weld-on spindle only
29	18767	18767	18767	18767	Lower reach tube, left
30	18772	18772	18772	18772	Lower reach tube, right
30A	18777	18777	18777	18777	Lower reach frame bundle, as shipped incl. part#18809
31	18794	18794	18794	18793	Short cross member
32	18797	18797	18797	18797	Long cross member
33	19321	19321	19321	19321	1" Flangette bearing, 2 bolt
33A	18817	18817	18817	18817	1" Bearing, less flanges
34	19383	19383	19383	19383	Upper lift tube, left or right, single
34A	18783	18783	18783	18783	Upper lift tube bundle, as shipped, incl. ref. #32
35	18804	18804	18804	17477	Upper lift tube extension
36	19264	19264	19264	19264	Seal
37	19265	19265	19265	19265	Large bearing, Timken #LM67048
38	19266	19266	19266	19266	Large cup, Timken #LM67010
39	19267	19267	19267	19267	Hub w/cups
40	19268	19268	19268	19268	Small cup, Timken #LM 11910

REF. NO.	PART NO.				PARTS DESCRIPTION
	J206	J207	J208	J210	
41	19269	19269	19269	19269	Small bearing, Timken #LM 11949
42	19270	19270	19270	19270	Slotted nut, 3/4" - 16
43	19272	19272	19272	19272	Dust cap
44	19271	19271	19271	19271	Cotter pin, 1/8" x 1-1/2"
45	19273	19273	19273	19273	Wheel bolt, 1/2" - 20
46	19261	19261	19261	19261	15" Wheel, 4 bolt
47	17467	19467	19467	19467	Hub assembly, complete
48	19591	19591	19591	19591	Bolt, 5/8" - 11 x 6-1/2", grade 5
49	19991	19991	19991	—	Bolt, 5/8" - 11 x 2", grade 5
49	—	—	—	19592	Bolt, 3/4" - 10 x 2", grade 5
50	19590	19590	19590	19590	Bolt, 5/8" - 11 x 1-1/2", grade 5
51	19588	19588	19588	19588	Bolt, 1/2" - 13 x 1-1/4", grade 5
52	—	—	—	19798	Bolt, 1/2" - 13 x 2-3/4", grade 8
52	—	—	19545	—	Bolt, 7/16" - 14 x 2-1/4", grade 8
53	19542	19542	19542	19542	Bolt, 7/16" - 14 x 1", grade 5
54	—	—	19540	19540	Bolt, 3/8" - 16 x 3/4", grade 2
55	19538	19538	19538	19538	Bolt, 5/16" - 18 x 3/4", grade 2
56	19600	19600	19600	19600	Locknut, 5/8" - 11
57	19599	19599	19599	19599	Locknut, 1/2" - 13
58	19598	19598	19598	19598	Locknut, 7/16" - 14
59	19274	19274	19274	19274	Selftapping screw, 1/4" - 14 x 5/8"
60	19225	19225	19225	19225	Setscrew, 3/8" - 16 x 3/8"
61	19596	19596	19596	19596	Washer locknut, 3/8" - 16
62	19595	19595	19595	19595	Washer locknut, 5/16" - 18
63	19224	19224	19224	19224	Woodruff key, 1/4" x 1"
64	19119	19119	19119	19119	Driveshaft connector
65	19603	19603	19603	19603	Lockwasher, 5/16"
66	—	—	19322	—	1-1/4" Flangette bearing, 2 bolt
66A	—	—	18853	—	1-1/4" Bearing less flange
67	19981	19981	19981	19981	Bolt, 7/16" - 14 x 1-3/4", grade 5
68	17119	17119	17119	17116	Stabilizer brace, single
69	17120	17120	17120	17117	Stabilizer bracket, single
70	17170	17171	17172	17226	Upper drive housing (1994 and later)
71	19594	19594	19594	19594	Washer locknut, 1/4" - 20
72	17167	17167	17167	17167	Gasket for 1" flangette bearing
73	—	—	17168	—	Gasket for 1-1/4" flangette bearing
74	17157	17157	17158	17160	Oil bath housing cover
75	19988	19988	19988	19988	Bolt, 1/4" - 20 x 1", grade 2
76	17179	17179	17179	17179	3/8" Plug
77	17182	17182	17182	17182	Track washer, 7/16"
78	17123	17123	17123	17180	Clevis, less pin
79	17181	17181	17181	17181	Clevis pin
80	17383	17383	17383	17383	Grip clip
81	19020	17155	17156	17225	Weld-on outlet spout
82	—	—	—	19601	Locknut, 3/4" - 10
83	—	—	—	19567	1-1/4" Pillow block bearing, 4-bolt
83A	—	—	—	18852	1-1/4" Bearing, less flange
	18659	—	—	—	J206-41 Carton
	—	18662	—	—	J207-41 Carton
	—	—	18667	—	J208-41 Carton
	—	—	—	17410	J210-41 Carton
	18671	18671	18671	18671	J31/46 Carton
	18673	18673	18673	18673	J6/10-31/51 Carton
	18676	18676	18676	18676	JW2-1-4 Carton



HOUSING & COVER (to end 1993)

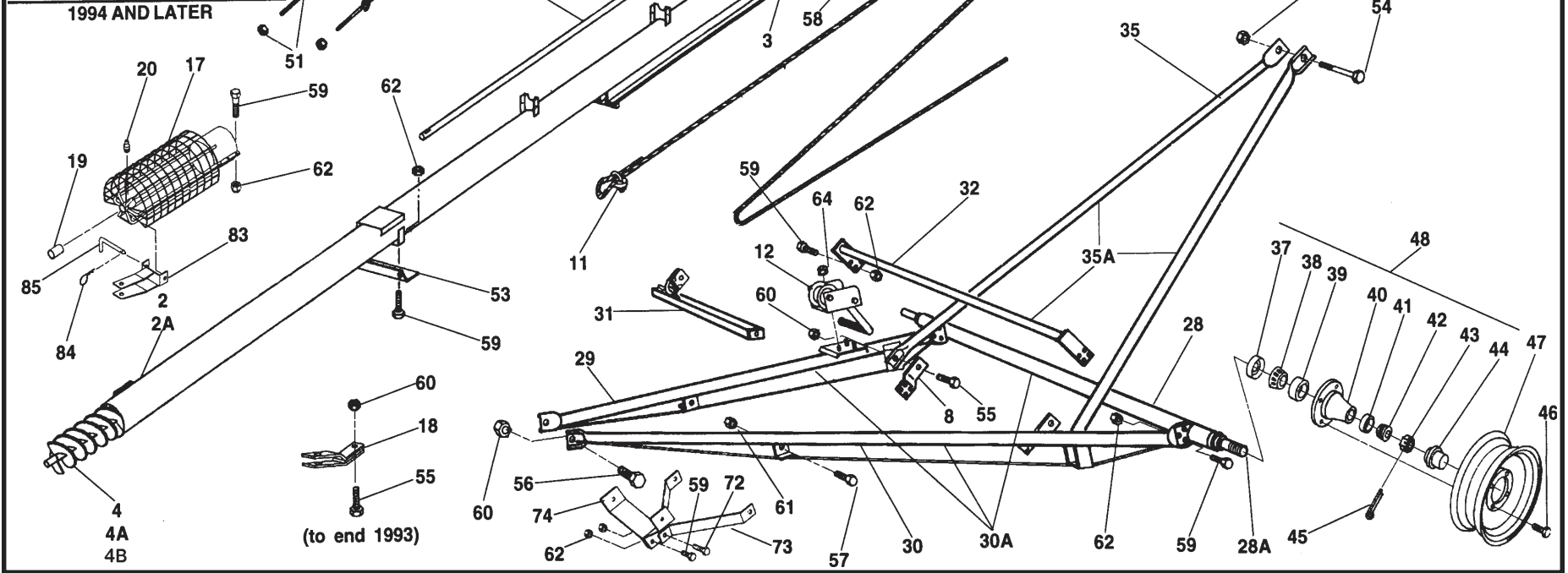
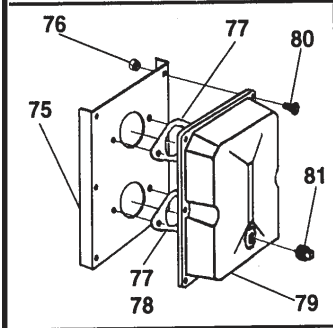
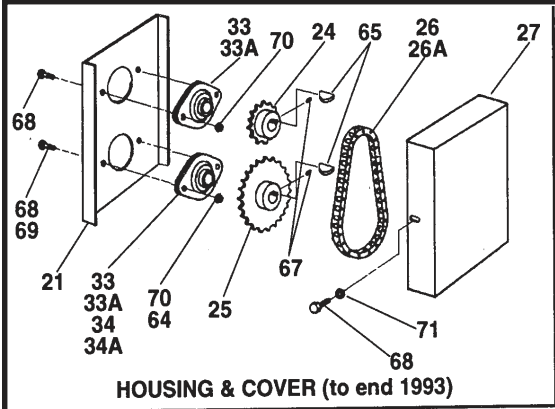
1994 AND LATER

Locate Upper Trackstop at second set of holes from top end

(to end 1993)

REF. NO.	PART NO.		PART DESCRIPTION
	J207	J208	
1	18711	18712	Upper tube section w/driveshaft, housing, track
1A	18722	18723	Upper tube bundle, as shipped
2	18737	18738	Lower tube section
2A	18755	18756	Lower tube bundle, as shipped
3	19105	19402	Upper flight section
4	19114	19409	Lower flight section
4A	19084	19085	Weld-on crimped intake flight
4B	17533	17534	Slip on intake flight (1998 & later)
5	18700	—	Driveshaft, upper, 1" x 24' 2"
5	—	18702	Driveshaft, upper, 1-1/4" x 24'
6	18839	—	Driveshaft, lower, 1" x 10' 3-1/2"
6	—	18840	Driveshaft, lower, 1-1/4" x 10' 5-1/2"
7	18762	18762	Upper track stop
8	19152	19152	Brake winch
9	18763	18763	Roller trackshoe
10	19249	19249	1/4" Cable, 44' long
11	19147	19147	1/4" Cable clamp
12	19254	19254	42" Driveshaft shield
13	19255	19255	48" Driveshaft shield
14	18829	18829	60" Driveshaft shield
15	19256	19256	Shield tie-down strap
16	19257	19257	Shield attach bracket
17	19192	19398	Intake hitch w/shield, bushing, grease fitting
18	19442	19442	Clevis, less bolt
19	19149	19149	1" Bushing
20	19222	19222	Press-in grease fitting
21	19314	19315	Upper drive housing
22	18694	—	1" Flangette
22	—	18695	1-1/4" Flangette
23	18692	—	1" Split hardwood bearing, set of 2 halves
23	—	18693	1-1/4" Split hardwood bearing, set of 2 halves
24	19131	19430	Upper sprocket, 14 tooth
25	19132	19431	Lower sprocket, 25 tooth
26	19133	19432	Roller chain w/connector
26A	19134	19433	Roller chain connector only
27	19318	19319	Upper drive cover
28	18791	18791	Axle w/spindles, nuts, cotter pins
28A	19263	19263	Weld-on spindle only
29	18768	18768	Lower reach tube, left
30	18773	18773	Lower reach tube, right
30A	18778	18778	Lower reach frame bundle, as shipped incl. part #18810
31	18794	18794	Short cross member
32	18798	18798	Long cross member
33	19321	19321	1" Flangette bearing, w/2 bolt flanges
33A	18817	18817	1" Bearing, less flange
34	—	19322	1-1/4" Flangette bearing, w/2 bolt flanges
34A	—	18853	1-1/4" Bearing, less flange
35	19384	19384	Upper lift tube, left or right, single
35A	18784	18784	Upper lift tube bundle, as shipped
36	18804	18804	Upper lift tube extension
37	19264	19264	Seal
38	19265	19265	Large bearing, Timken, #LM 67048
39	19266	19266	Large cup, Timken, #LM 67010
40	19267	19267	Hub w/cups

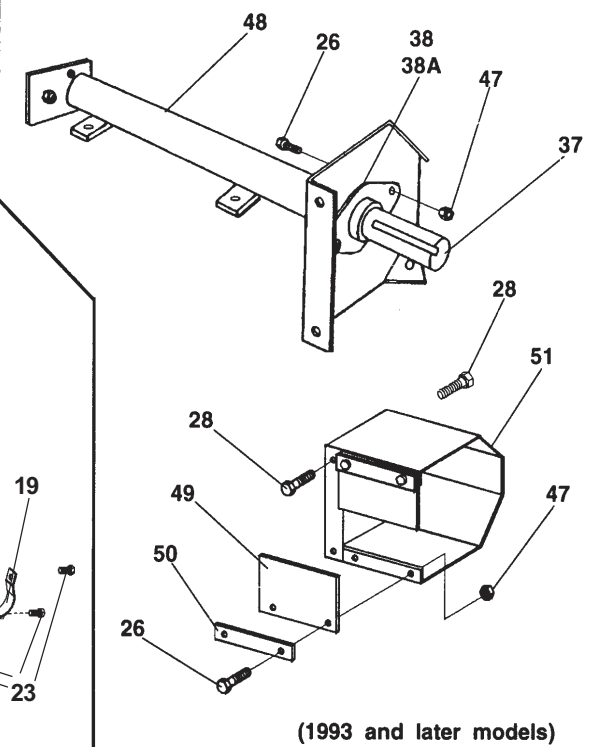
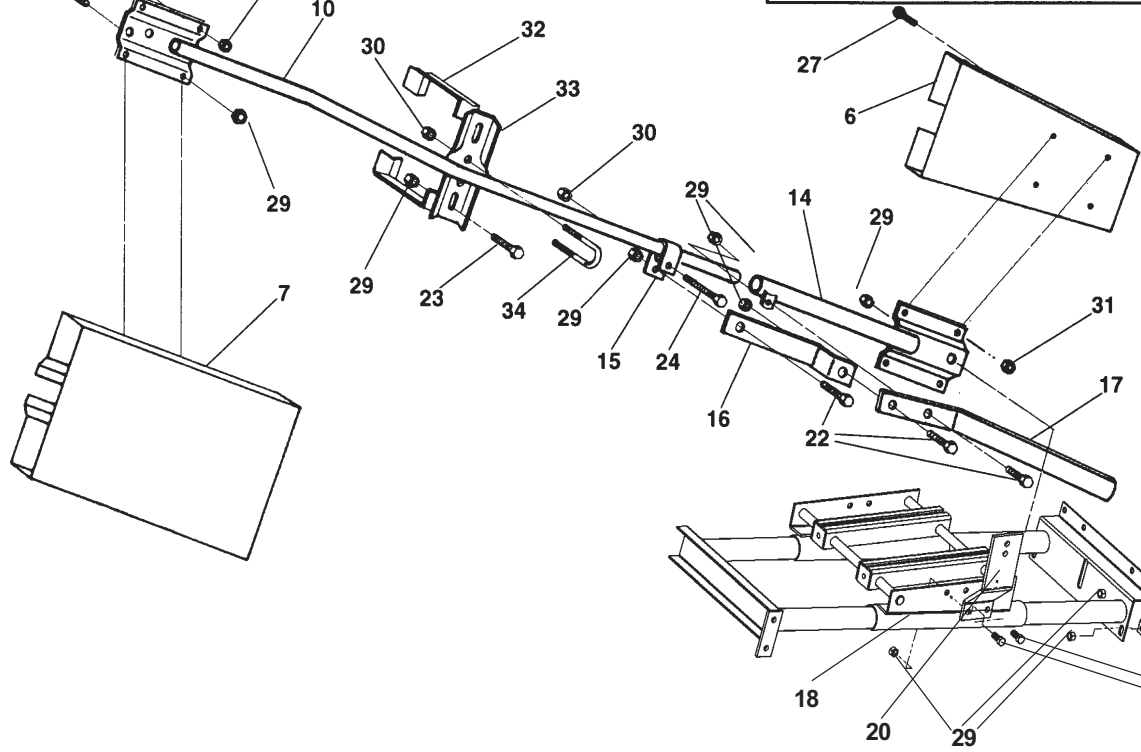
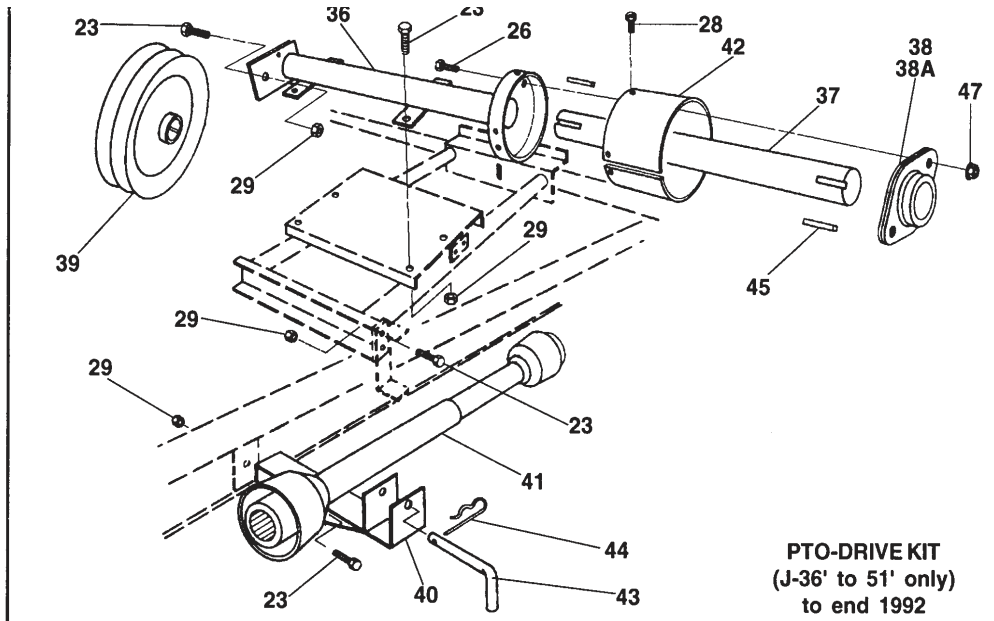
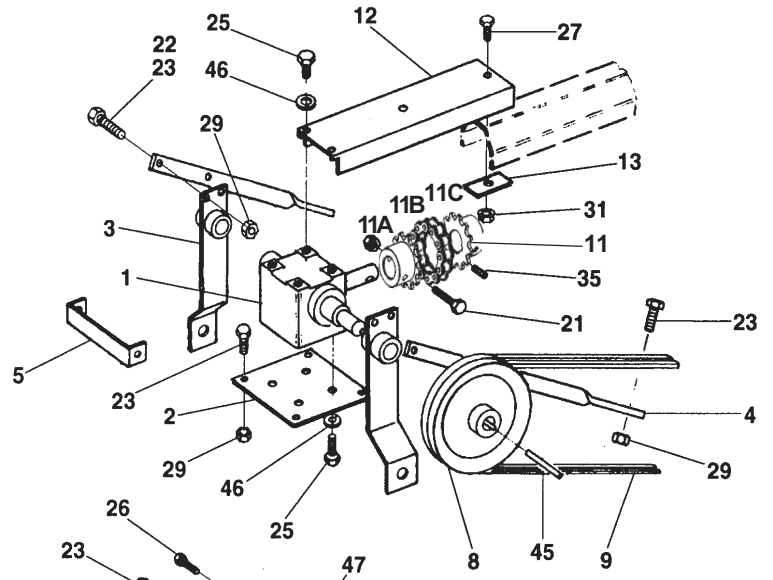
REF. NO.	PART NO.		PART DESCRIPTION
	J207	J208	
41	19268	19268	Small cup, Timken #LM 11910
42	19269	19269	Small bearing, Timken #LM 11949
43	19270	19270	Slotted nut, 3/4" - 16
44	19272	19272	Dust cap
45	19271	19271	Cotter pin, 1/8" x 1-1/2"
46	19273	19273	Wheel bolt, 1/2" - 20
47	19261	19261	15" Wheel, 4 bolt
48	19467	19467	Hub assembly, complete
49	18825	18825	5/16" Truss cable, 57' 6" long
50	19324	19324	Truss support bracket, low
51	19331	19331	Eyebolt w/nut
52	19333	19333	5/16" Cable clamp
53	19332	19332	Truss attach angle
54	19591	19591	Bolt, 5/8" - 11 x 6-1/2", grade 5
55	19991	19991	Bolt, 5/8" - 11 x 2", grade 5
56	19590	19590	Bolt, 5/8" - 11 x 1-1/2", grade 5
57	19588	19588	Bolt, 1/2" - 13 x 1-1/4", grade 5
58	—	19545	Bolt, 7/16" - 14 x 2-1/4", grade 8
59	19542	19542	Bolt, 7/16" - 14 x 1", grade 5
60	19600	19600	Locknut, 5/8" - 11
61	19599	19599	Locknut, 1/2" - 13
62	19598	19598	Locknut, 7/16" - 14
63	19274	19274	Selftapping screw, 1/4" - 14 x 5/8"
64	19596	19596	Washer locknut, 3/8" - 16
65	19224	19224	Woodruff key, 1/4" x 1"
66	19119	19119	Driveshaft connector
67	19225	19225	Setscrew, 3/8" - 16 x 3/8"
68	19538	19538	Bolt, 5/16" - 18 x 3/4", grade 2
69	—	19540	Bolt, 3/8" - 16 x 3/4", grade 2
70	19595	19595	Washer locknut, 5/16" - 18
71	—	19603	Lockwasher, 5/16"
72	19981	19981	Bolt, 7/16" - 14 x 1-3/4", grade 5
73	17119	17119	Stabilizer brace, single
74	17120	17120	Stabilizer bracket, single
75	17171	17172	Upper drive housing (1994 and later)
76	19594	19594	Washer locknut, 1/4" - 20
77	17167	17167	Gasket for 1" flangette bearing
78	—	17168	Gasket for 1-1/4" flangette bearing
79	17157	17158	Oil bath housing cover
80	19988	19988	Bolt, 1/4" - 20 x 1", grade 2
81	17179	17179	3/8" Plug
82	17182	17182	Track washer, 7/16"
83	17123	17123	Clevis less pin
84	17383	17383	Grip clip
85	17181	17181	Clevis pin
86	17155	17156	Weld-on spout
	18663	—	J207 - 46 Carton
	—	18668	J208 - 46 Carton
	18671	18671	J31 / 46 Carton
	18673	18673	J6/10-31/51 Carton
	18677	18677	JW3 -1 - 4 Carton



(to end 1993)

REF. NO.	PART NO.		PART DESCRIPTION
	J207	J208	
1	18711	18712	Upper tube section w/driveshaft, housing, track
1A	18722	18723	Upper tube bundle, as shipped
2	18740	18741	Lower tube section
2A	18758	18759	Lower tube bundle, as shipped
3	19105	19402	Upper flight section
4	19119	19410	Lower flight section
4A	19084	19085	Weld-on crimped intake flight
4B	17533	17534	Slip on intake flight (1998 & later)
5	18700	—	Driveshaft, upper, 1" x 24' 2"
5	—	18702	Driveshaft, upper, 1-1/4" x 24'
6	19086	—	Driveshaft, lower, 1" x 14' 4"
6	—	19631	Driveshaft, lower, 1-1/4" x 14' 4"
7	18762	18762	Upper trackstop
8	18804	18804	Upper lift tube extension
9	18763	18763	Roller trackshoe
10	18824	18824	1/4" Cable, 49' long
11	19147	19147	1/4" Cable clamp
12	19152	19152	Brake winch
13	19255	19255	48" Driveshaft shield
14	18829	18829	60" Driveshaft shield
15	19256	19256	Shield tie-down strap
16	19257	19257	Shield attach bracket
17	19192	19398	Intake hitch w/shield, bushing, grease fitting
18	19442	19442	Clevis, less bolt
19	19149	19149	1" Bushing
20	19222	19222	Press-in grease fitting
21	19314	19315	Upper drive housing
22	18694	—	1" Bearing flange, single
22	—	18695	1-1/4" Bearing flange, single
23	18692	—	1" Split hardwood bearing, set of 2 halves
23	—	18693	1-1/4" Split hardwood bearing, set of 2 halves
24	19131	19430	Upper sprocket, 14 tooth
25	19132	19431	Lower sprocket, 25 tooth
26	19133	19432	Roller chain w/connector
26A	19134	19433	Roller chain connector only
27	19318	19319	Housing cover
28	18791	18791	Axle w/spindles, nuts, cotter pins
28A	19263	19263	Weld-on spindle only
29	18769	18769	Lower reach tube, left
30	18774	18774	Lower reach tube, right
30A	18779	18779	Lower reach frame bundle, as shipped incl. part #18811
31	18794	18794	Short crossmember
32	18798	18798	Long crossmember
33	19321	19321	1" Flangette bearing, 2 bolt, w/flanges
33A	18817	18817	1" Bearing, less flange
34	—	19322	1-1/4" Flangette bearing, 2 bolt, w/flanges
34A	—	18853	1-1/4" Bearing, less flange
35	19522	19522	Upper lift tube, left or right, single
35A	18785	18785	Upper lift tube bundle, as shipped incl. Ref. # 32
36			
37	19264	19264	Seal
38	19265	19265	Large bearing, Timken, #LM 67048
39	19266	19266	Large cup, Timken, #LM 67010
40	19267	19267	Hub w/cups

REF. NO.	PART NO.		PART DESCRIPTION
	J207	J208	
41	19268	19268	Small cup, Timken #LM 11910
42	19269	19269	Small bearing, Timken #LM 11949
43	19270	19270	Slotted nut, 3/4" -16
44	19272	19272	Dust cap
45	19271	19271	Cotter pin, 1/8" x 1-1/2"
46	19273	19273	Wheel bolt, 1/2" - 20
47	19261	19261	15" Wheel, 4 bolt
48	19467	19467	Hub assembly, complete
49	18826	18826	5/16" Truss cable, 65'
50	19324	19324	Truss support bracket, low
51	19331	19331	Eyebolt w/nut
52	19333	19333	5/16" Cable clamp
53	19332	19332	Truss attach angle
54	19591	19591	Bolt, 5/8" - 11 x 6-1/2", grade 5
55	19991	19991	Bolt, 5/8" - 11 x 2", grade 5
56	19590	19590	Bolt, 5/8" - 11 x 1-1/2", grade 5
57	19588	19588	Bolt, 1/2" - 13 x 1-1/4", grade 5
58	—	19545	Bolt, 7/16" - 14 x 2-1/4", grade 8
59	19542	19542	Bolt, 7/16" - 14 x 1", grade 5
60	19600	19600	Locknut, 5/8" - 11
61	19599	19599	Locknut, 1/2" - 13
62	19598	19598	Locknut, 7/16" - 14
63	19274	19274	Selftapping screw, 1/4" - 14 x 5/8"
64	19596	19596	Washer locknut, 3/8" - 16
65	19224	19224	Woodruff key, 1/4" x 1"
66	19119	19119	Driveshaft connector
67	19225	19225	Setscrew, 3/8" - 16 x 3/8"
68	19538	19538	Bolt, 5/16" - 18 x 3/4", grade 2
69	—	19540	Bolt, 3/8" - 16 x 3/4", grade 2
70	19595	19595	Washer locknut, 5/16"
71	19603	19603	Lockwasher, 5/16"
72	19981	19981	Bolt, 7/16" - 14 x 1-3/4", grade 5
73	17119	17119	Stabilizer brace, single
74	17120	17120	Stabilizer bracket, single
75	17171	17172	Upper drive housing (1994 and later)
76	19594	19594	Washer locknut, 1/4" - 20
77	17167	17167	Gasket for 1" flangette bearing
78	—	17168	Gasket for 1-1/4" flangette bearing
79	17157	17158	Oil bath housing cover
80	19988	19988	Bolt, 1/4" - 20 x 1", grade 2
81	17179	17179	3/8" Plug
82	17182	17182	Track washer, 7/16"
83	17123	17123	Clevis less pin
84	17383	17383	Grip clip
85	17181	17181	Clevis pin
86	17156	17156	Weld-on spout
	18664	—	J207 - 51 Carton
	—	18669	J208 - 51 Carton
	18672	18672	J51 Carton
	18673	18673	J6/10-31/51 Carton
	18678	18678	JWO - 2 - 6



REF. NO.	PART NO.	PART DESCRIPTION
1	19473	Gearbox
2	19633	Gearbox mounting plate
3	18819	Hanger bracket (J36'-51')
3	18820	Hanger bracket (J-31' only) (J210-36'/41')
4	18821	Hanger braces
5	18830	Spacer
6	18815	Small pulley shield
7	18816	Large pulley shield
8	19612	13" Single groove pulley (J206 only)
8	19613	13" Double groove pulley
9	18688	Belt B195, J-31' only
9	19478	Belt B210, J-36' only
9	19479	Belt B240, J-41' only
9	19480	Belt B270, J-46' only
9	18689	Belt B300, J-51' only
10	18807	Push bar, J-31' only
10	18808	Push bar, J-36' only
10	18809	Push bar, J-41' only
10	18810	Push bar, J-46' only
10	18811	Push bar, J-51' only
11	17592	Flex connector, 1" x 1" bore
11A	19557	Flex connector sprocket, 1" bore w/keyway
11B	19559	Roller chain
11C	17591	Flex connector sprocket, 1" bore w/bolt
12	19626	Connector shield
13	19627	Shield securing bracket
14	18806	Belt tension tube
15	18814	Belt tensioner clamp
16	18813	Belt tensioner bar
17	18812	Belt tensioner handle
18	27551	Motor mount assembly (J - 31' to 46')
18	27552	Motor mount assembly (J - 51')
19	18802	Mounting strap (J - 31'/36' & 41' only)
19	18803	Mounting strap (J - 46' & 51' only)
20	18805	Push bracket
21	19539	Bolt, 5/16" - 18 x 2", grade 2
22	18698	Bolt, 7/16" - 14 x 1-1/4", grade 8
23	19542	Bolt, 7/16" - 14 x 1", grade 5
24	18699	Bolt, 3/8" - 16 x 2-1/2", grade 5
25	19540	Bolt, 3/8" - 16 x 3/4", grade 2
26	19538	Bolt, 5/16" - 18 x 3/4", grade 2
27	19537	Bolt, 1/4" - 20 x 1/2", grade 5
28	19984	Selftapping screw, #14 x 1/2"
29	19598	Locknut, 7/16" - 14
30	19596	Washer locknut, 3/8" - 16

REF. NO.	PART NO.	PART DESCRIPTION
31	19594	Washer locknut, 1/4" - 20
32	19639	Belt guide
33	18818	Belt guide support
34	18845	U-bolt, 3/8" - 16 x 1-1/2"
35	19225	Setscrew, 3/8" - 16 x 3/8"
		PTO - Drive Kit (J-36' to 51' augers only):
36	18843	Jackshaft assembly less rubber shield (J - 36' / 41')
36	18844	Jackshaft assembly less rubber shield (J - 46' / 51')
37	18833	1" Dia. shaft, 29" long (J - 36' / 41')
37	18834	1" Dia. shaft, 33-3/4" long (J46' / 51')
38	18694	1" Bearing flange, single
38A	18817	1" Bearing, less flanges
39	18835	6-1/2" Dia. single groove pulley (J206 only)
39	18836	6-1/2" Dia. double groove pulley
40	18837	PTO transport saddle
41	19520	PTO - Driveline
42	18838	Rubber shield
43	19648	Saddle pin less hairpin
44	19463	Hairpin
45	19606	Square key, 1/4" x 1-1/2"
46	19604	3/8" Lockwasher
47	19595	Washer locknut, 5/16" - 18
48	17227	Jackshaft assembly, less shield (J - 36' / 41')
48	17228	Jackshaft assembly, less shield (J - 46' / 51')
49	17229	Rubber flap
50	17230	Rubber mount strap
51	17231	Shield assembly with rubber