

TRANSPORT AUGER - DRIVES

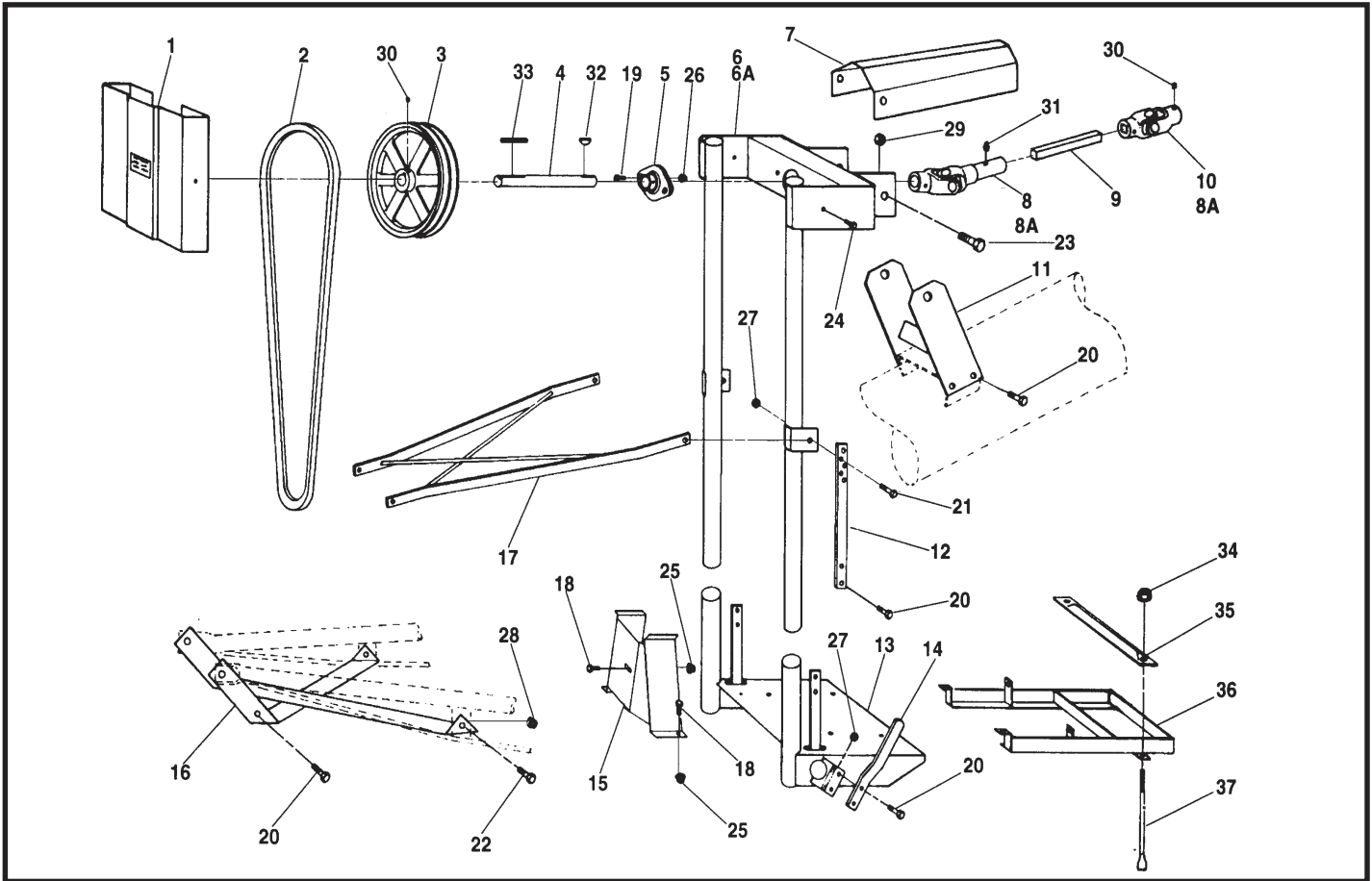
Description	Page
MD Motor drive	B2
EMD Electric motor drive:	
W & WR 60 - 70 - 80 x 26' & 31'	B3
W & WR 60 x 36' - 61' / 70-80 x 36'-51'	B4
W 130 X 41'	B5
W & WR 80 x 56' - 71' / all W & WR 100	B6-7
 PTO-BD Drive, W & WR 60-70-80	B8-9
 PTO-SD Drive	
W & WR 60 x 31' - 61' / 70-80 x 31'-51'	B10-11
W & WR 80 x 56' - 71' / all W & WR 100	B12
W 130 X 41' - 71'	B13
 LD Drive	B14-15

DRIVES for
models W and WR
TRANSPORT AUGERS

B

MD - Motor Drive

(W & WR60, 70, 80 Series)

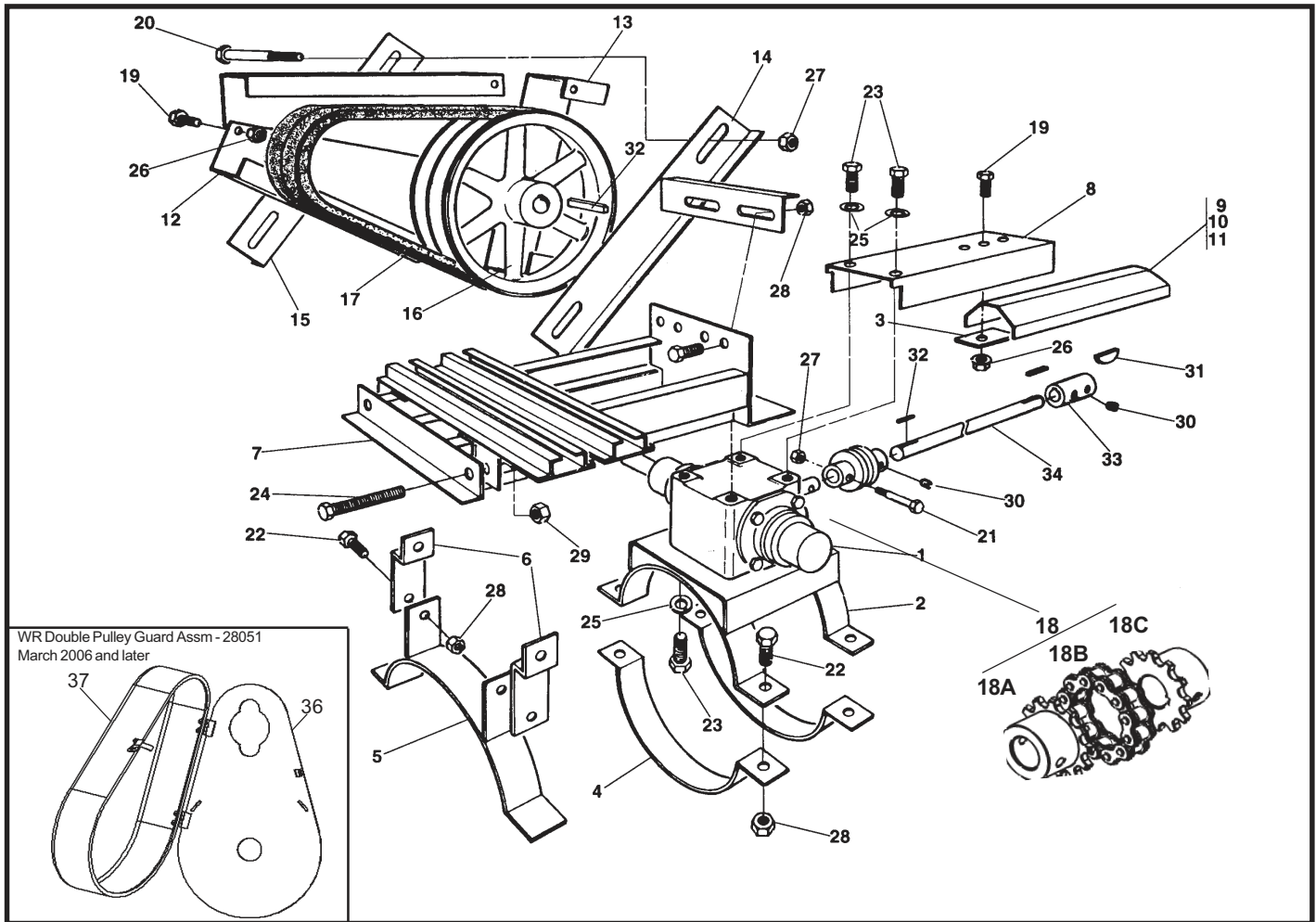


REF. NO.	PART NO.	PARTS DESCRIPTION	NO. REQ'D
1	19611	Pulley shield	1
2	19211	Belt, B95, for 26' to 41' augers	x
2	19212	Belt, B100, for W & WR70 - 46' to 51' augers	x
3	19612	13" Pulley, single groove, W & WR60 only, 1" bore	1
3	19613	13" Pulley, double groove, W & WR70/80, 1" bore	1
4	19218	1" roundshaft, 7-1/2" long	1
5	19321	1" flangette bearing	2
6	19623	Engine carriage w/shaft & bearings	1
6A	18483	Engine carriage/level brace, bundle as shipped	1
7	19167	Shield, U-joint	1
8	19219	Slip universal joint, w/set screw & grease fitting	1
8A	19235	U-joint cross kit	x
9	19615	3/4" square shaft	1
10	19220	Std. universal joint, w/set screw & grease fitting	1
11	19616	Attach bracket, engine carriage	1
12	19617	Release strap, single, for 26' to 41' augers	2
12	19618	Release strap, single, for W & WR70 - 46' to 51'	2
13	19619	Motor mount	1
14	19182	Belt release handle	1
15	19620	Pulley shield, motor	1
16	19621	Criss cross leveler bracket	
17	19622	Leveler, engine carriage	1
18	19537	Bolt, 1/4" - 20 x 1/2", grade 2	x
19	19538	Bolt, 5/16" - 18 x 3/4", grade 2	x
20	19542	Bolt, 7/16" - 14 x 1", grade 5	x

REF. NO.	PART NO.	PARTS DESCRIPTION	NO. REQ'D
21	19981	Bolt, 7/16" - 14 x 1-3/4", grade 5	x
22	19588	Bolt, 1/2" - 13 x 1-1/4", grade 5	x
23	19590	Bolt, 5/8" - 11 x 1-1/2", grade 5	x
24	19274	Selftapping screw, 1/4" - 14 x 5/8", w/washerhead	x
25	19594	Washer locknut, 1/4" - 20	x
26	19595	Washer locknut, 5/16" - 18	x
27	19598	Locknut, 7/16" - 14	x
28	19599	Locknut, 1/2" - 13	x
29	19600	Locknut, 5/8" - 11	x
30	19225	Set screw, 3/8" - 16 x 3/8"	x
31	19223	Threaded grease fitting	x
32	19224	Woodruff key, 1/4" x 1"	x
33	19606	Square key, 1/4" x 1-1/2"	x
34	19596	Washer locknut, 3/8" - 16	2
35	18211	Hold down bracket	1
36	18453	Battery tray	1
37	18212	Bolt, 3/8" - 16 x 10-1/2", special	2

(W & WR60, 70, 80 x 26' & 31')

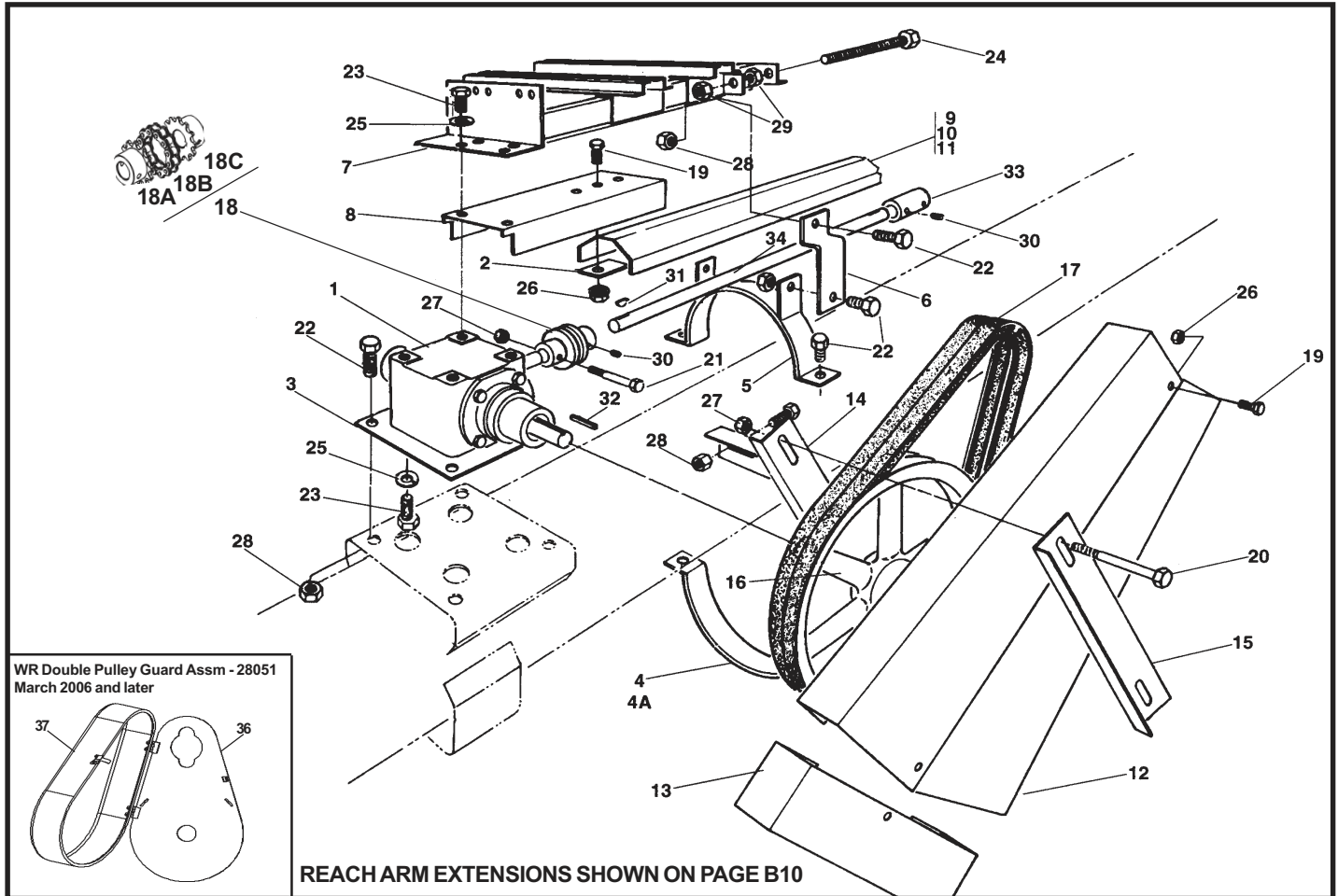
EMD - Electric Motor Drive



REF. NO.	PART NO.	PARTS DESCRIPTION	NO. REQ'D
1	19473	Gearbox	1
2	19021	Gearbox mount, (W & WR60)	1
2	19919	Gearbox mount, (W & WR70)	1
2	19920	Gearbox mount, (W & WR80)	1
3	19627	Shield securing bracket	1
4	19022	Tube halfband, (W & WR60)	3
4	19199	Tube halfband, (W & WR70)	3
4	19460	Tube halfband, (W & WR80)	3
5	19921	Halfband bracket, (W & WR60)	1
5	19922	Halfband bracket, (W & WR70)	1
5	19923	Halfband bracket, (W & WR80)	1
6	19926	Mount strap	2
7	19927	Electric motor mount	1
8	19626	Slip connector shield	1
9	19928	Driveshaft shield, 24" long	1
10	19254	Driveshaft shield, 42" long	x
11	19255	Driveshaft shield, 48" long	x
12	19845	Pulley shield	1
13	19930	Pulley shield extension	1
14	19931	Shield bracket	1
15	19932	Attach bracket	1
16	19613	Double groove 13" pulley, 1" bore	1
17	19934	Belt, B62	2

REF. NO.	PART NO.	PARTS DESCRIPTION	NO. REQ'D
18	17592	Flex connector, 1" x 1" bore	1
18A	19557	Flex connector sprocket, 1" bore w/keyway	1
18B	19559	Roller chain	1
18C	17591	Flex connector sprocket, 1" bore w/bolt	1
19	19537	Bolt, 1/4" - 20 x 1/2", grade 2	x
20	19936	Bolt, 5/16" - 18 x 5", grade 2	x
21	17631	Bolt, 5/16" - 18 x 2-1/2", grade 2	x
22	19542	Bolt, 7/16" - 14 x 1", grade 5	x
23	19540	Bolt, 3/8" - 16 x 3/4", grade 2	x
24	19937	Bolt, 1/2" - 13 x 9", special	x
25	19604	Lockwasher, 3/8"	x
26	19594	Washer-locknut, 1/4" - 20	x
27	19980	Locknut, 5/16" - 18	x
28	19598	Locknut, 7/16" - 14	x
29	19602	Hex nut, 1/2" - 13	x
30	19225	Setscrew, 3/8" - 16 x 3/8"	x
31	19224	Woodruff key, 1/4" x 1"	x
32	19606	Sq. key, 1/4" x 1-1/2"	x
33	19119	Driveshaft connector, 1" bore	1
34	19650	Driveshaft, 1" x 28" long	1
35	28051	WR Double Pulley Guard Assm	1
36	28045	WR Double Guard Backplate	1
37	28049	Small Plastic Guard only	1

EMD - Electric Motor Drive (W & WR60 x 36'-61'/70-80 x 36-51')

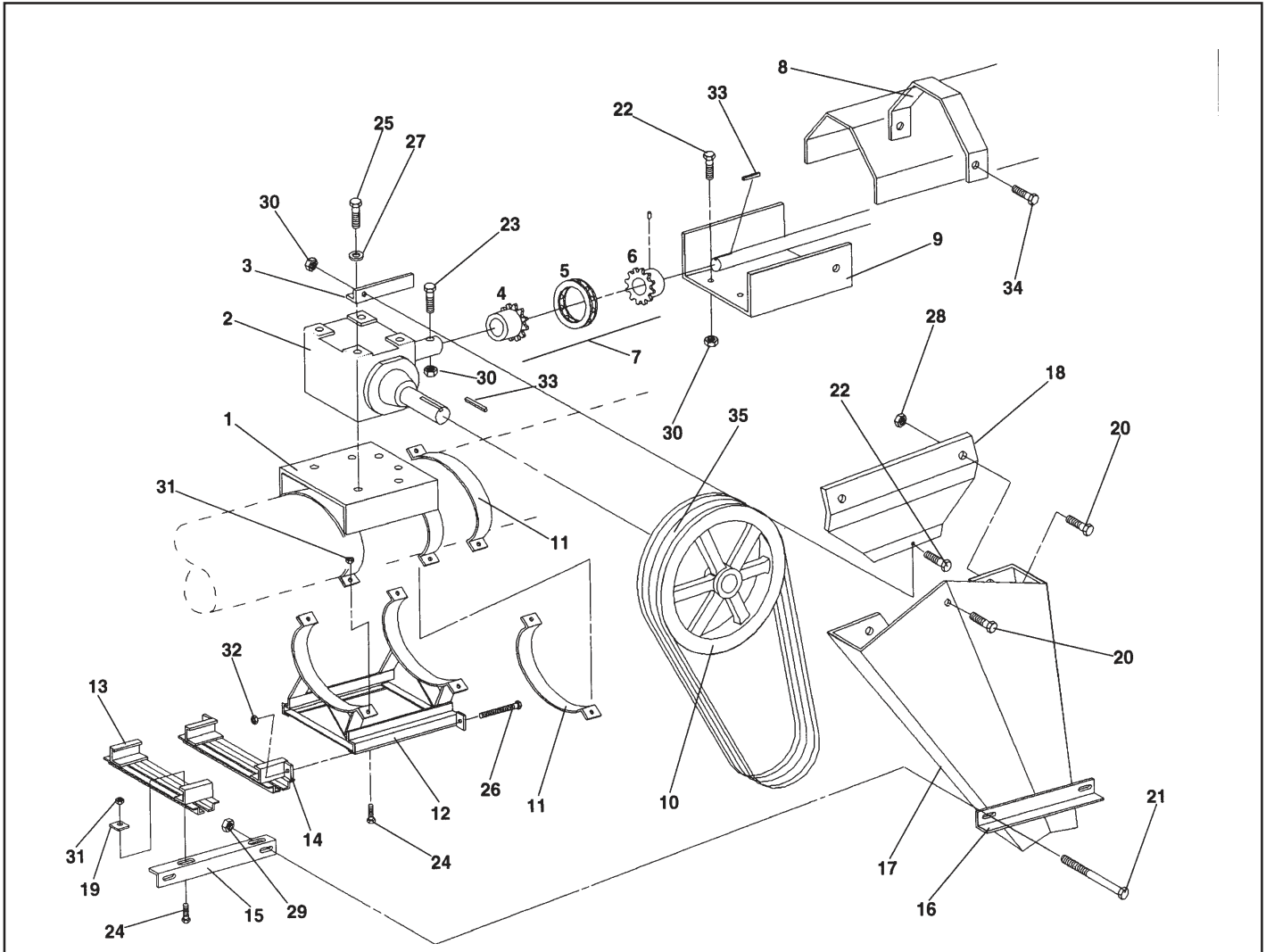


REF. NO.	PART NO.	PARTS DESCRIPTION	NO. REQ'D
1	19473	Gearbox	1
2	19627	Shield securing bracket	1
3	19633	Gearbox mounting plate	1
4	19022	Tube halfband, (W & WR60)	1
4A	17338	Over track halfband (WR60 x 51' & 61')	1
4	19199	Tube halfband, (W & WR70)	1
4	19460	Tube halfband, (W & WR80)	1
5	19921	Halfband bracket, (W & WR60)	1
5	19922	Halfband bracket, (W & WR70)	1
5	19923	Halfband bracket, (W & WR80)	1
6	19926	Mount strap	2
7	19927	Electric motor mount	1
8	19626	Slip connector shield	1
9	19928	Driveshaft shield, 24" long	1
10	19254	Driveshaft shield, 42" long	x
11	19255	Driveshaft shield, 48" long	x
12	19845	Pulley shield	1
13	19930	Pulley shield extension	1
14	19931	Shield bracket	1
15	19932	Attach bracket	1
16	19613	Double groove 13" pulley, 1" bore	1
17	19934	Belt, B62	2
18	17592	Flex connector, 1" x 1" bore	1
18A	19557	Flex connector sprocket, 1" bore w/keyway	1
18B	19559	Roller chain	1

REF. NO.	PART NO.	PARTS DESCRIPTION	NO. REQ'D
18C	17591	Flex connector sprocket, 1" bore w/bolt	1
19	19537	Bolt, 1/4" - 20 x 1/2", grade 2	x
20	19936	Bolt, 5/16" - 18 x 5", grade 2	x
21	17631	Bolt, 5/16" - 18 x 2-1/2", grade 2	x
22	19542	Bolt, 7/16" - 14 x 1", grade 5	x
23	19540	Bolt, 3/8" - 16 x 3/4", grade 2	x
24	19937	Bolt, 1/2" - 13 x 9", special	x
25	19604	Lockwasher, 3/8"	x
26	19594	Washer-locknut, 1/4" - 20	x
27	19980	Locknut, 5/16" - 18	x
28	19598	Locknut, 7/16" - 14	x
29	19602	Hex nut, 1/2" - 13	x
30	19225	Setscrew, 3/8" - 16 x 3/8"	x
31	19224	Woodruff key, 1/4" x 1"	x
32	19606	Sq. key, 1/4" x 1-1/2"	x
33	19119	Driveshaft connector, 1" bore	1
34	19628	Driveshaft, 1" x 4' 9" long (W&WR60, 70-36 to 51')	1
34	19629	Driveshaft, 1-1/4" x 4' 6" long (W&WR80-36' & 41')	1
34	19630	Driveshaft, 1-1/4" x 10' 8-1/2" long (W80 - 46')	1
34	17189	Driveshaft, 1-1/4" x 10' 2-1/2" long (WR80 - 46')	1
34	19631	Driveshaft, 1-1/4" x 14' 4" long (W80 - 51')	1
34	17190	Driveshaft, 1-1/4" x 13' 10" long (WR80 - 51')	
35	28051	WR Double Pulley Guard Assm.	1
36	28045	WR Double Guard Backplate	1
37	28049	Small Plastic Guard only	1

(W 130 x 41')

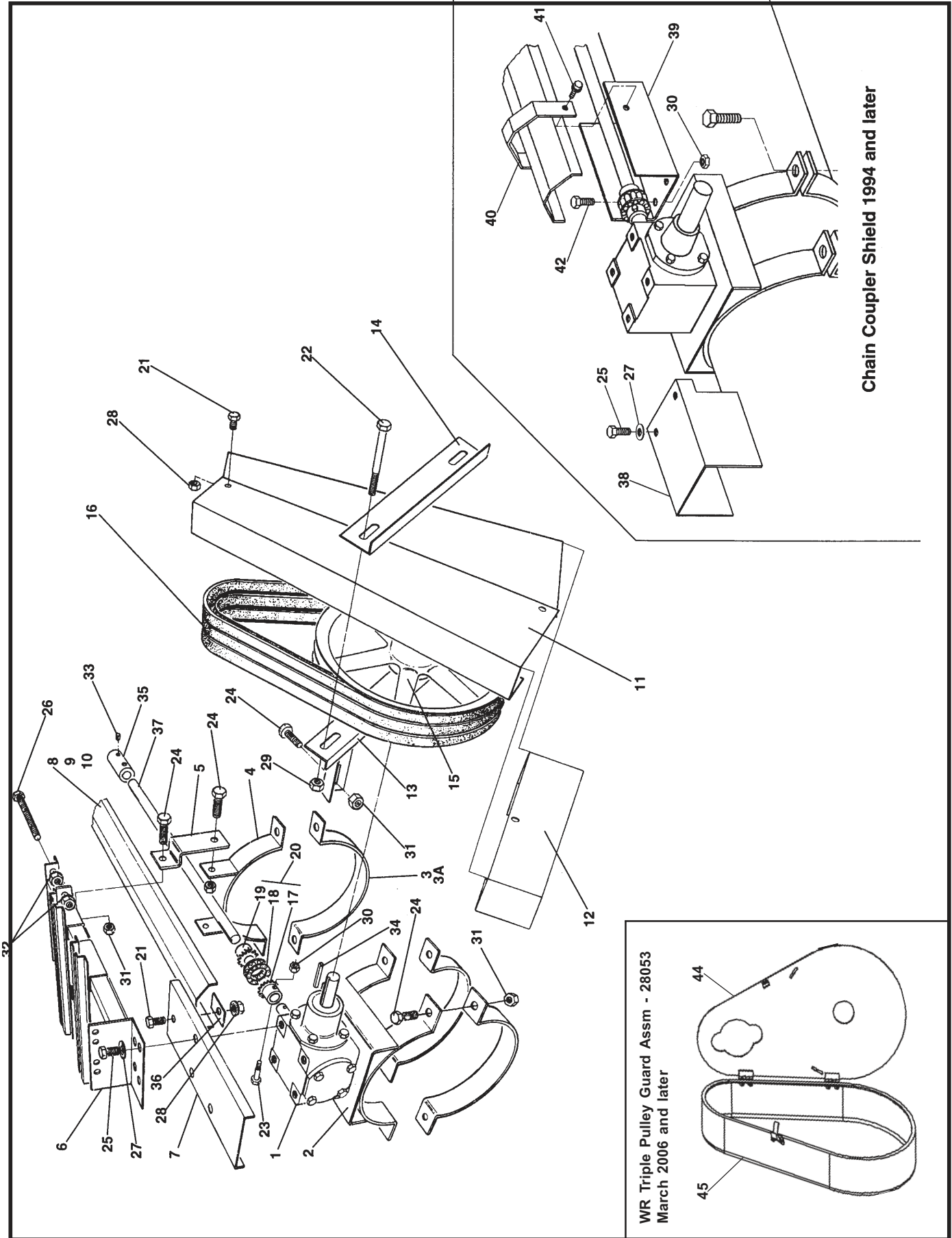
EMD - Electric Motor Drive



REF. NO.	PART NO.	PARTS DESCRIPTION	NO. REQ'D
1	17233	Gearbox mount	1
2	19585	Gearbox	1
3	17234	Shield bracket	1
4	19673	Flex connector sprocket, 1-1/4" bore w/bolt	1
5	19559	Roller chain w/connector link	1
6	19802	Flex connector sprocket, 1-1/4" bore w/keyway	1
7	19803	Flex connector 1-1/4" x 1-1/4" bore	1
8	19256	Shield tiedown strap	1
9	17235	Flex connector shield	1
10	19933	15" Triple groove pulley, 1-1/4" bore	1
11	18987	Tube halfband	2
12	17236	Electric motor mount	1
13	17237	Motor mount rail	1
14	17238	Adjust motor mount rail	1
15	17239	Narrow, shield mount angle	1
16	19932	Wide, shield mount angle	1
17	17240	Pulley shield	1
18	17241	Shield mount bracket	1
19	17242	Square washer	6
20	19537	Bolt, 1/4" - 20 x 1/2", grade 2	x

REF. NO.	PART NO.	PARTS DESCRIPTION	NO. REQ'D
21	19936	Bolt, 5/16" - 18 x 5", grade 2	x
22	19540	Bolt, 3/8" - 16 x 3/4", grade 2	x
23	19541	Bolt, 3/8" - 16 x 2-3/4", grade 2	x
24	18698	Bolt, 7/16" - 14 x 1-1/4", grade 5	x
25	19549	Bolt, 1/2" - 13 x 1", grade 2	x
26	19937	Bolt, 1/2" - 13 x 9", special	x
27	19605	Lockwasher, 1/2"	x
28	19594	Washer - locknut, 1/4" - 20	x
29	19595	Washer - locknut, 5/16" - 18	x
30	19596	Washer - locknut, 3/8" - 16	x
31	19598	Locknut, 7/16" - 14	x
32	19602	Hex nut, 1/2" - 13	x
33	19606	Square key, 1/4" x 1-1/2"	x
34	19274	Selftapping screw, 1/4" - 14 x 5/8"	x
35	19211	B95 Belts	2

EMD - Electric Motor Drive (W & WR80 x 56'-71'/all W & WR100)



July-08

REF. NO.	PART NO.	PART DESCRIPTION	NO. REQ'D
1	19585	Gearbox	1
2	19586	Gearbox mount, (W & WR80)	1
2	19800	Gearbox mount, (W & WR100)	1
3	19460	Tube halfband, (W & WR80)	3
3	19801	Tube halfband, (W & WR100)	3
3A	17339	Over track halfband (WR80 x 56' & 61')	1
3A	17340	Over track halfband (WR100 x 61')	1
4	19924	Halfband bracket, (W & WR80)	1
4	19925	Halfband bracket, (W & WR100)	1
5	19926	Mount strap	2
6	19927	Electric motor mount	1
7	19929	Gearbox shield	1
8	19928	Driveshaft shield, 24" long	1
9	19254	Driveshaft shield, 42" long	X
10	19255	Driveshaft shield, 48" long	X
11	19845	Pulley shield	1
12	19930	Pulley shield extension	1
13	19931	Shield bracket	1
14	19932	Attach bracket	1
15	19933	15" triple groove pulley (1-1/4" bore)	1
16	19935	Belt, B67	3
17	19673	Flex connector sprocket, 1-1/4" bore w/bolt	1
18	19559	Roller chain w/connector link	1
19	19557	Flex connector sprocket, 1" bore w/keyway	1
19	19802	Flex connector sprocket, 1-1/4" bore w/keyway	1
20	19674	Flex connector, 1" x 1-1/4" bore	1
20	19803	Flex connector, 1-1/4" x 1-1/4" bore	1
21	19537	Bolt, 1/4" - 20 x 1/2", grade 2	X
22	19936	Bolt, 5/16" - 18 x 5", grade 2	X
23	19541	Bolt, 3/8" - 16 x 2-3/4", grade 2	X
24	19542	Bolt, 7/16" - 14 x 1", grade 5	X
25	19549	Bolt, 1/2" - 13 x 1", grade 2	X
26	19937	Bolt, 1/2" - 13 x 9", special	X
27	19605	Lockwasher, 1/2"	X
28	19594	Washer-locknut, 1/4" - 20	X
29	19980	Locknut, 5/16" - 18	X
30	19596	Washer-locknut, 3/8" - 16	X
31	19598	Locknut, 7/16" - 14	X
32	19602	Hex nut, 1/2" - 13	X
33	19225	Setscrew, 3/8" - 16 x 3/8"	X
34	19606	Square key, 1/4" x 1-1/2"	X
35	19119	Driveshaft connector, (W & WR80)	1
35	19770	Driveshaft connector, (W & WR100)	1
36	19627	Shield securing bracket	1

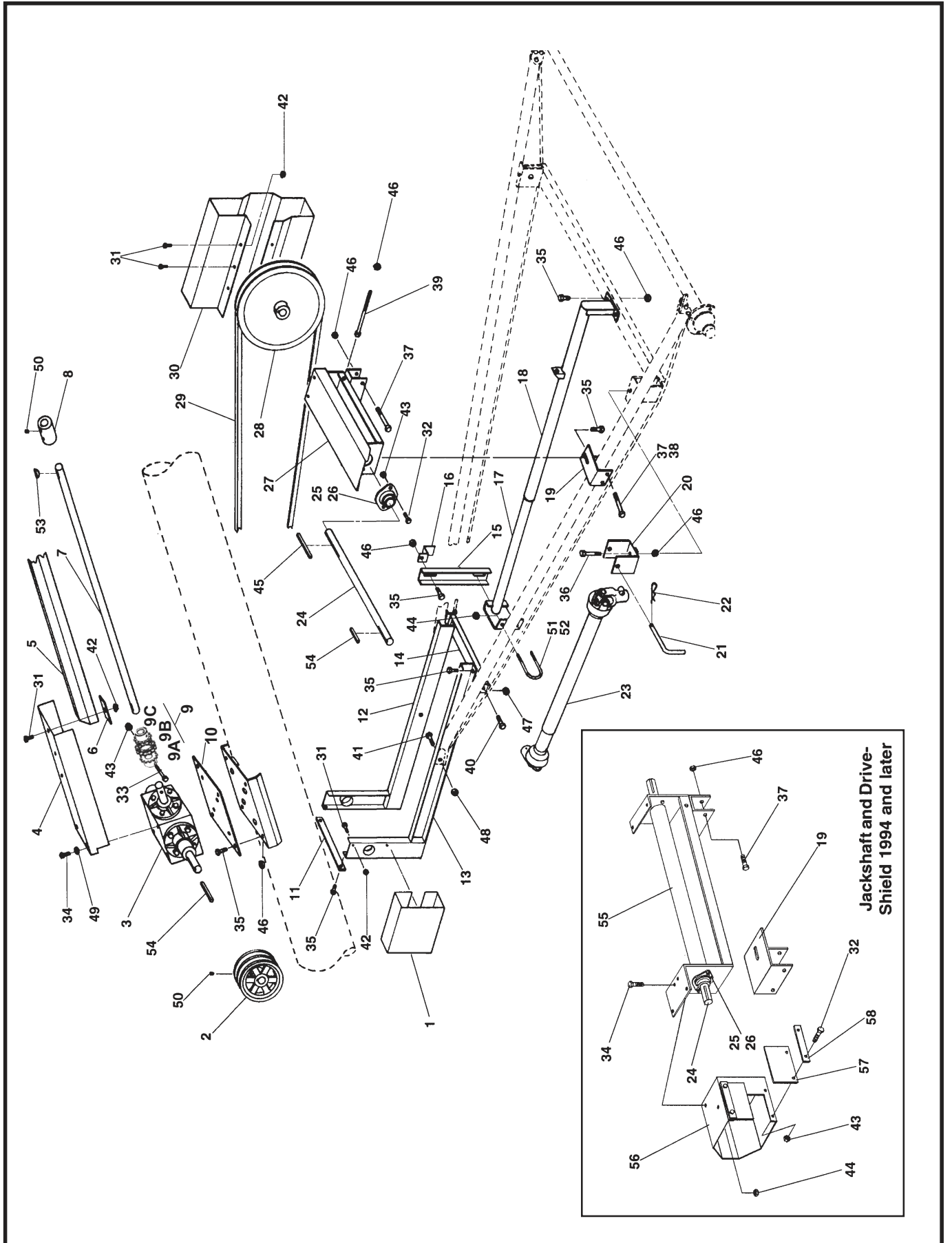
REF. NO.	PART NO.	PART DESCRIPTION	NO. REQ'D
37	19994	Driveshaft, 1-1/4" x 18' 9" (W & WR80-56' & 61')	1
37	19939	Driveshaft, 1" x 6" W80-71' only	1
37	17243	Driveshaft, 1" x 19" WR80-71' only	1
37	19940	Driveshaft, 1-1/4" x 3' 10" (W & WR100-31')	1
37	19941	Driveshaft, 1-1/4" x 6' 2-1/2" (W & WR100-41')	1
37	19942	Driveshaft, 1-1/4" x 11' 8" (W& WR100-51')	1
37	19943	Driveshaft, 1-1/4" x 18' 9" (W & WR100-61')	1
37	19944	Driveshaft, 1-1/4" x 6" W100-71' only	1
37	17244	Driveshaft, 1-1/4" x 19" WR100-71' only	1
38	17245	Shield for 3 shaft gearbox	
39	17235	Chain coupler shield	
40	19256	Shield tie down strap	
41	19274	Selftapping screw, 1/4" - 14 x 5/8"	
42	19540	Bolt, 3/8" - 16 x 3/4", grade 2	
43	28053	WR Triple Pulley Guard Assm	1
44	28047	WR Triple Guard Backplate	1
45	28048	Large Plastic Guard only	1

EMD - Motor Drive (W & WR80 x 56' - 71' / all W & WR 100)

B7

PTO - BD (Belt Drive)

W & WR60, 70, 80 Series



July-08

B9

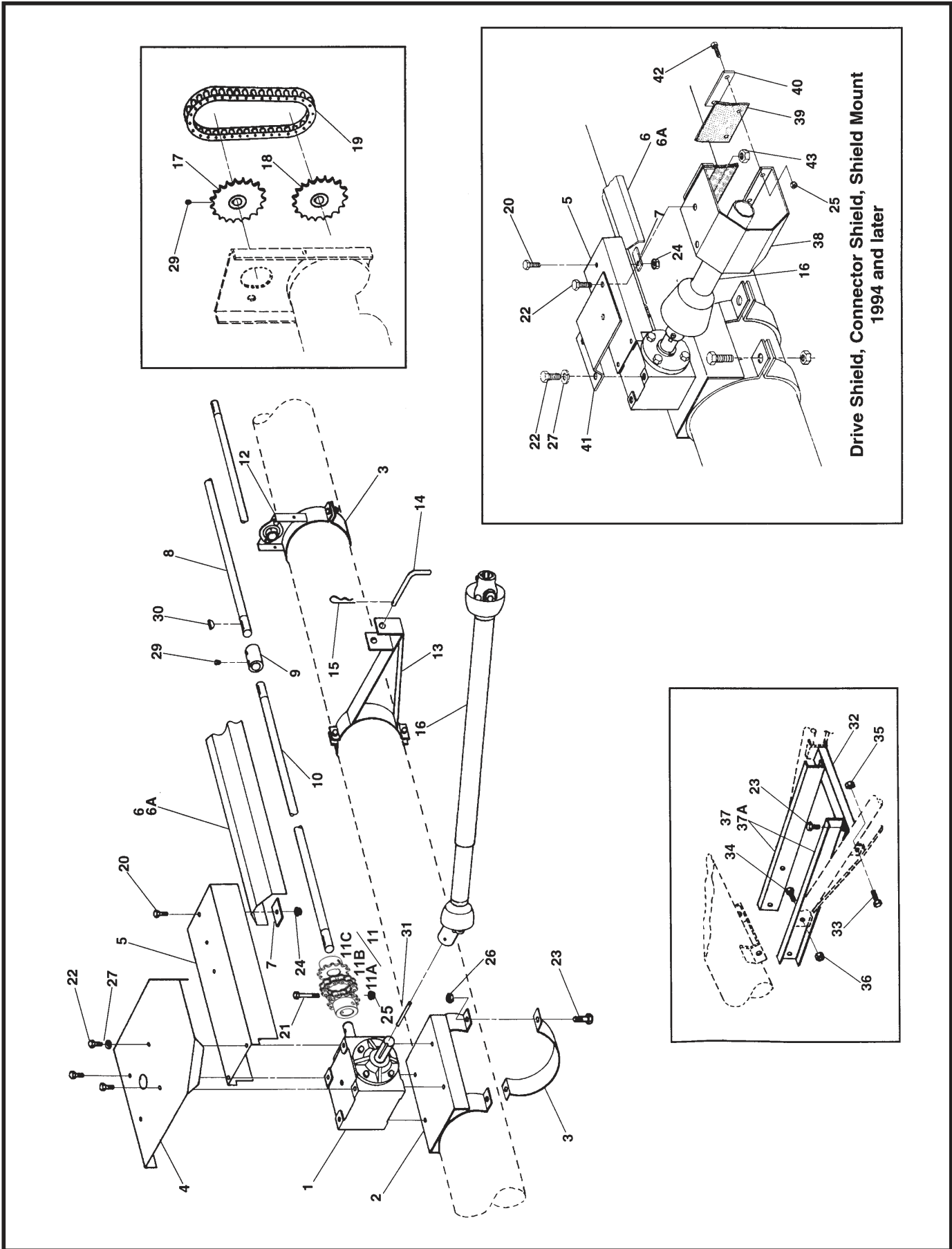
REF. NO.	PART NO.	PART DESCRIPTION	NO. REQD
1	19624	Small pulley shield	1
2	19625	8" pulley, single groove, W & WR60 only 1" bore	x
2	19475	8" pulley, double, W & WR70 & 80 only 1" bore	x
3	19473	Gearbox, BD	1
4	19626	Shield, slip connector	x
5	19255	48" shield, driveshaft	1
6	19627	Shield securing bracket	1
7	19628	Driveshaft, 1" x 4' 9" long, W & WR60, 70 - 36' to 51'	1
7	19629	Driveshaft, 1-1/4" x 4' 5-1/2" long, W80 - 36' & 41'	1
7	19630	Driveshaft, 1-1/4" x 10' 8-1/2" long, W80 - 46' only	1
7	17189	Driveshaft, 1-1/4" x 10' 2-1/2" long, WR80 - 46' only	1
7	19631	Driveshaft, 1-1/4" x 14' 4" long, W80 - 51' only	1
7	17190	Driveshaft, 1-1/4" x 13' 10" long, WR80 - 51' only	1
8	19119	Driveshaft connector	1
9	17592	Flex connector, 1" x 1" bore	1
9A	19557	Flex connector sprocket, 1" bore w/keyway	1
9B	19559	Roller chain	1
9C	17591	Flex connector sprocket, 1" bore w/bolt	1
10	19633	Mounting plate, gearbox	1
11	19634	Spacer bracket	1
12	19635	Extension, left reach arm	1
13	19636	Extension, right reach arm	1
14	19637	20" crossmember	1
15	19638	Channel, belt guide	1
16	19639	Belt guide, single	2
17	19640	1-3/4" support tube, W & WR60, 70, 80 - 36' augers	1
17	19641	1-3/4" support tube, W & WR60, 70, 80 - 41' augers	1
17	19642	1-3/4" support tube, W & WR70, 80 - 46' augers	1
17	19643	1-3/4" support tube, W & WR70, 80 - 51' augers	1
18	19644	2" support tube, 36' to 41' augers	1
18	18532	2" support tube, 46' to 51' augers	1
19	19645	Sliding bracket, jackshaft, 36' augers	1
19	19646	Sliding bracket, jackshaft, 41' to 51' augers	1
20	19647	Transport saddle, PTO driveline, less pin & bolt	1
21	19648	Saddle pin, less hairpin	1
22	19463	Hairpin	1
23	19520	PTO driveline, 48"	1
24	19649	1" round shaft, 23" long, for 36' to 46' augers	1
24	19650	1" round shaft, 28" long, for 51' augers	1
25	19321	1" Flangette bearing	2
26	18817	1" Bearing, less flanges	1
27	19653	Jackshaft w/bearings & shaft, for 36' to 46' augers	1
27	19654	Jackshaft w/bearings & shaft, for 51' augers	1
28	19476	15" pulley, single groove, W & WR60 augers 1" bore	1

REF. NO.	PART NO.	PART DESCRIPTION	NO. REQD
28	18533	15" pulley, double groove, 1" bore, W & WR70/80 augers	X
29	19477	Belt B180, for 36' augers, 1 on W & WR60, 2 on W & WR70/80	X
29	19478	Belt B210, for 41' augers, 1 on W & WR60, 2 on W & WR70/80	X
29	19479	Belt B240, for 46' augers	2
29	19480	Belt B270, for 51' augers	2
30	19655	Pulley shield, large	1
31	19537	Bolt, 1/4" - 20 x 1/2", grade 2	X
32	19538	Bolt, 5/16" - 18 x 3/4", grade 2	X
33	17631	Bolt, 5/16" - 18 x 2-1/2", grade 2	X
34	19540	Bolt, 3/8" - 16 x 3/4", grade 2	x
35	19542	Bolt 7/16" - 14 x 1", grade 5	x
36	19545	Bolt, 7/16" - 14 x 2-1/4", grade 8	x
37	19546	Bolt, 7/16" - 14 x 3", grade 2, for 36" augers	x
38	19547	Bolt, 7/16" - 14 x 3-1/2", grade 2, for 41'to 51'augers	x
39	19548	Bolt, 7/16" - 14 x 8", special	x
40	19588	Bolt, 1/2" - 13 x 1-1/4", grade 5	x
41	19590	Bolt, 5/8" - 11 x 1-1/2", grade 5	x
42	19594	Washer locknut, 1/4" - 20	x
43	19595	Washer locknut, 5/16" - 18	x
44	19596	Washer locknut, 3/8" - 16	x
45	17854	Square key, 1/4" x 2-1/2"	x
46	19598	Locknut, 7/16" - 14	x
47	19599	Locknut, 1/2" - 13	x
48	19600	Locknut, 5/8" - 11	x
49	19604	Lockwasher, 3/8"	x
50	19225	Set screw, 3/8" - 16 x 3/8"	x
51	19609	U-Bolt, 3/8" - 16 x 2", for 36' augers	x
52	19610	U-Bolt, 3/8" - 16 x 2-1/2", for 41' to 51' augers	x
53	19224	Woodruff key, 1/4" x 1"	x
54	19606	Square key, 1/4" x 1-1/2"	x
55	17246	Jackshaft w/bearings & shaft, for 36' to 46' augers	
55	17247	Jackshaft w/bearings & shaft, for 51' augers	
56	17231	Shield assembly with rubber	
57	17229	Rubber flap	
58	17230	Rubber mount strap	

PTO-BD (Belt Drive)

(W & WR60, 70, 80 Series)

PTO - SD (Shaft Drive) (W & WR60 x 31'-61'/70-80 x 31-51')



**Drive Shield, Connector Shield, Shield Mount
1994 and later**

July-08

REF. NO.	PART NO.			PARTS DESCRIPTION	NO. REQ'D
	6"	7"	8"		
1	19455	19455	19455	Gearbox	1
2	19021	19919	19920	Gearbox mount	1
3	19022	19199	19460	Tube halfband	x
4	19023	19023	19023	Shield, gearbox	1
5	19626	19626	19626	Shield, slip connector	1
6	19254	19254	19254	42" shield, driveshaft	x
6A	19255	19255	19255	48" shield, driveshaft	x
7	19627	19627	19627	Bracket, shield securing	1
8	19628	19628	—	1" driveshaft, 4' 9" long, (W & WR60-36'/41', W & WR70-36' to 51')	1
8	—	—	19629	1-1/4" driveshaft, 4' 5-1/2" long, W&WR80-36'/41'	1
8	—	—	19630	1-1/4" driveshaft, 10' 8-1/2" long, W80-46' only	1
8	—	—	17189	1-1/4" driveshaft, 10' 2-1/2" long, WR80-46' only	1
8	—	—	19631	1-1/4" driveshaft, 14' 4" long, W80-51' only	1
8	—	—	17190	1-1/4" driveshaft, 13' 10" long, WR80-51' only	1
9	19119	19119	19119	Driveshaft connector	x
10	19656	19656	—	1" driveshaft, 7' 3/4" long, (W & WR31' models)	1
10	19657	19657	—	1" driveshaft, 3' 2-1/2" long, (W & WR36' models)	1
10	19658	19658	—	1" driveshaft, 4' 4" long, (W & WR41' models)	1
10	—	19664	—	1" driveshaft, 5' 9" long, (W & WR46' models)	1
10	—	19656	—	1" driveshaft, 7' 3/4" long, (W & WR51' models)	1
10	—	—	19662	1-1/4" driveshaft, 3' 5-1/2" long, (W & WR36' models)	1
10	—	—	19665	1-1/4" driveshaft, 47" long, (W & WR41' models)	1
10	—	—	19666	1-1/4" driveshaft, 6' 0" long, (W & WR46' models)	1
10	—	—	19667	1-1/4" driveshaft, 7' 4-1/2" long, (W & WR31' models) (W&WR51' models)	1
11	17592	17592	17592	Flex connector, 1" x 1" bore	1
11A	19557	19557	19557	Flex connector sprocket, 1" bore w/keyway	1
11B	19559	19559	19559	Roller chain	1
11C	17591	17591	17591	Flex connector sprocket, 1" bore w/bolt	1
12	19659	19668	19669	Strap-on bearing	x
13	19025	19202	19461	Transport saddle	1
14	19648	19648	19648	Saddle pin	1
15	19463	19463	19463	Hairpin	1
16	19945	19945	19945	PTO driveline, 60" long	1
17	19027	19027	19946	Sprocket,	1
18	19027	19027	19946	Sprocket,	1
19	19015	19133	19432	Roller chain w/connector	1
20	19537	19537	19537	Bolt, 1/4" - 20 x 1/2", grade 2	X
21	17631	17631	17631	Bolt, 5/16" - 18 x 2-1/2", grade 2	x
22	19540	19540	19540	Bolt, 3/8" - 16 x 3/4", grade 2	x

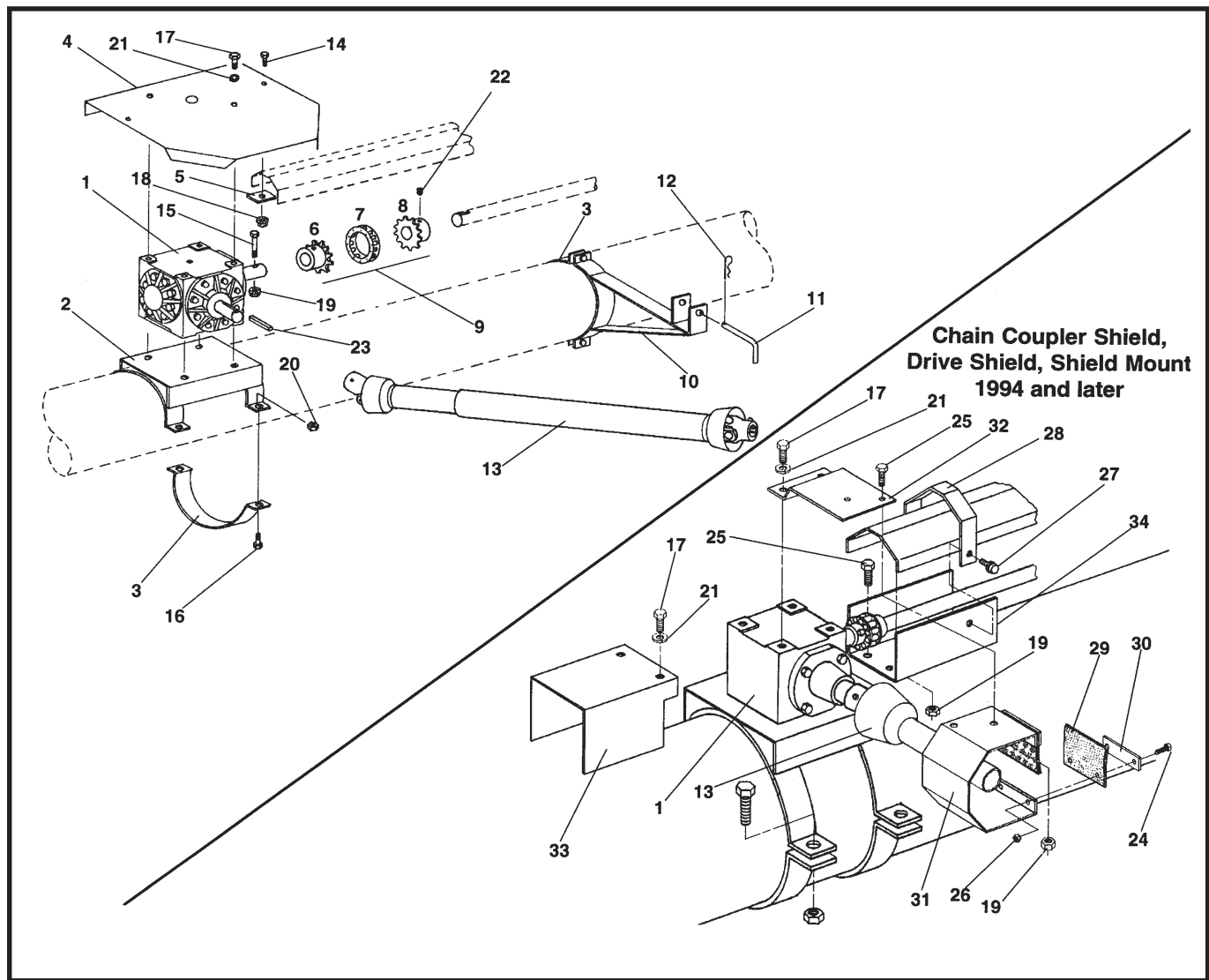
REF. NO.	PART NO.			PARTS DESCRIPTION	NO. REQ'D
	6"	7"	8"		
23	19542	19542	19542	Bolt, 7/16" - 14 x 1", grade 5	X
24	19594	19594	19594	Washer locknut, 1/4" - 20	X
25	19595	19595	19595	Washer locknut, 5/16" - 18	X
26	19598	19598	19598	Locknut, 7/16" - 14	X
27	19604	19604	19604	Lockwasher, 3/8"	X
28	19608	19608	19608	Set screw, 5/16" - 18 x 3/8"	x
29	19225	19225	19225	Set screw, 3/8" - 16 x 3/8"	x
30	19224	19224	19224	Woodruff key, 1/4" x 1"	x
31	19606	19606	19606	Square key, 1/4" x 1-1/2"	x
32	—	—	19536	Cross member, 19" long, 46' - 51' models	x
33	—	19588	19588	Bolt, 1/2" - 13 x 1-1/4", grade 5	x
34	—	19590	19590	Bolt, 5/8" - 11 x 1-1/2", grade 5	x
35	—	19599	19599	Locknut, 1/2" - 13	x
36	—	19600	19600	Locknut, 5/8" - 11	x
37	—	—	19670	Reach arm extension, left or right, 46'-51' models	2
37A	—	—	19949	Reach arm extension bundle	
38	17231	17231	17231	Shield assembly with rubber	
39	17229	17229	17229	Rubber flap	
40	17230	17230	17230	Rubber mount strap	
41	17248	17248	17248	Shield attach plate	
42	19538	19538	19538	Bolt, 5/16" - 18 x 3/4", grade 2	
43	19596	19596	19596	Washer locknut, 3/8" - 16	
—	19660	19963	19990	SD gearbox, mount, half connector, as packed	1

PTO-SD (Shaft Drive) (W & WR60 x 31'-61' / 70-80 x 31'-51')

B11

PTO - SD (Shaft Drive)

(W&WR 80x56'-71' all W&WR 100)

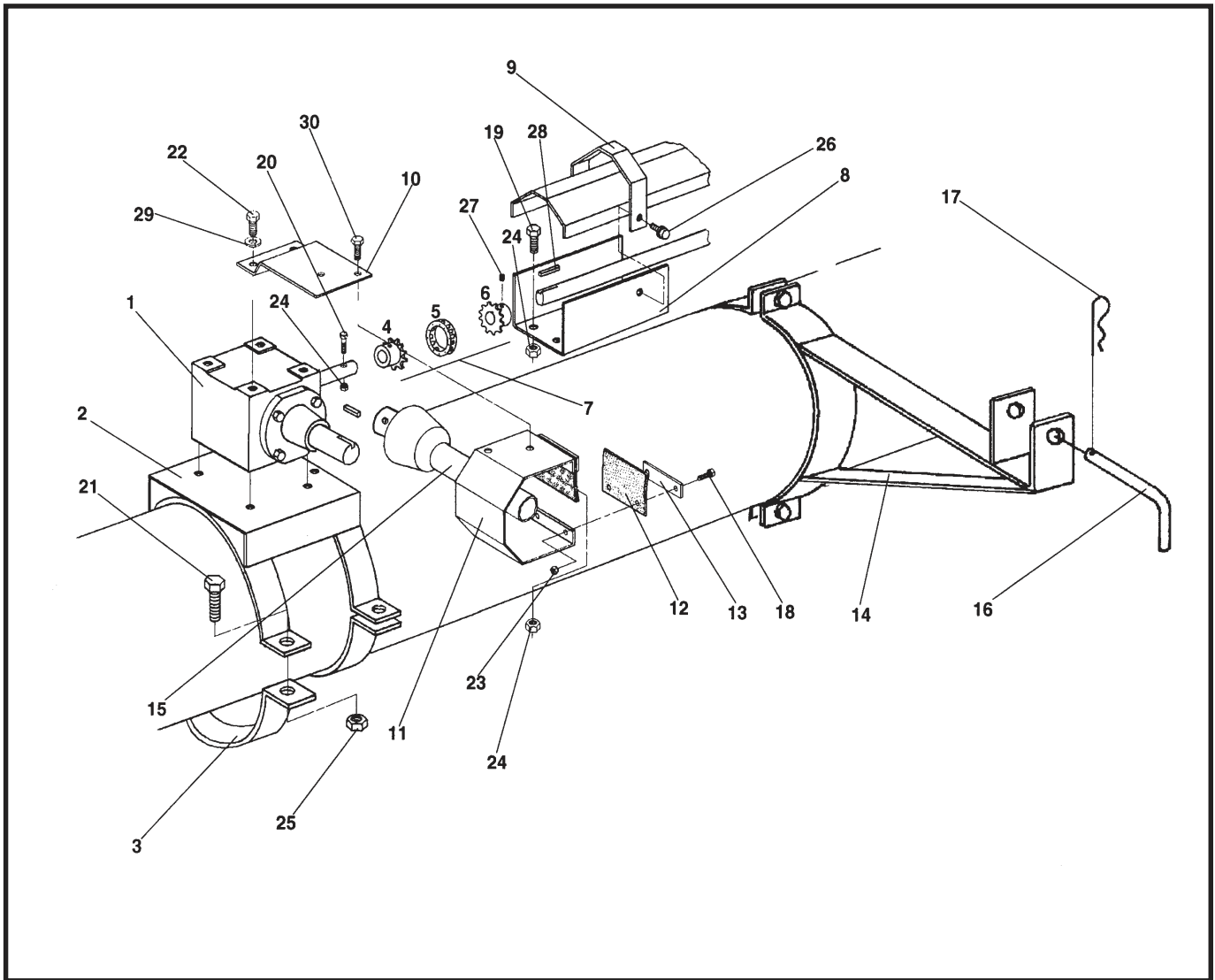


REF. NO.	PART NO.		PARTS DESCRIPTION
	8"	10"	
1	19585	19585	Gearbox, SD
2	19586	19800	Mount, gearbox, less halfbands
3	19460	19801	Halfband, tube
4	19587	19587	Shield, gearbox
5	19627	19627	Bracket, shield securing
6	19673	19673	Sprocket, flex connector, 1-1/4" bore w/bolt hole
7	19559	19559	Roller chain w/connector link
8	19557	—	Sprocket, flex connector 1" bore
8	—	19802	Sprocket, flex connector, 1-1/4" bore
9	19674	19803	Complete flex connector
10	19461	19804	Transport saddle, PTO, less halfband
11	19648	19648	Saddle pin, less hairpin
12	19463	19463	Hairpin
13	19806	19806	PTO driveline, 60" long
14	19537	19537	Bolt, 1/4" - 20 x 1/2", grade 2
15	19541	19541	Bolt, 3/8" - 16 x 2-3/4", grade 2
16	19542	19542	Bolt, 7/16" - 14 x 1", grade 5
17	19549	19549	Bolt, 1/2" - 13 x 1", grade 2
18	19594	19594	Washer locknut, 1/4" - 20
19	19596	19596	Washer locknut, 3/8" - 16

REF. NO.	PART NO.		PARTS DESCRIPTION
	8"	10"	
20	19598	19598	Locknut, 7/16" - 14
21	19605	19605	Lockwasher, 1/2"
22	19608	19608	Setscrew, 5/16" - 18 x 3/8"
23	19606	19606	Sq. key, 1/4" x 1-1/2"
24	19538	19538	Bolt, 5/16" - 18 x 3/4", grade 2
25	19540	19540	Bolt, 3/8" - 16 x 3/4", grade 2
26	19595	19595	Washer locknut, 5/16" - 18
27	19274	19274	Self tapping screw, 1/4" - 14 x 5/8"
28	19256	19256	Shield tiedown strap
29	17229	17229	Rubber flap
30	17230	17230	Rubber mount strap
31	17232	17232	Shield assembly with rubber
32	17249	17249	Shield attach plate
33	17245	17245	Shield for 3 shaft gearbox
34	17235	17235	Chain coupler shield
	19675	19805	SD gearbox, mount, flex connector, as packed

PTO-SD (Shaft Drive)

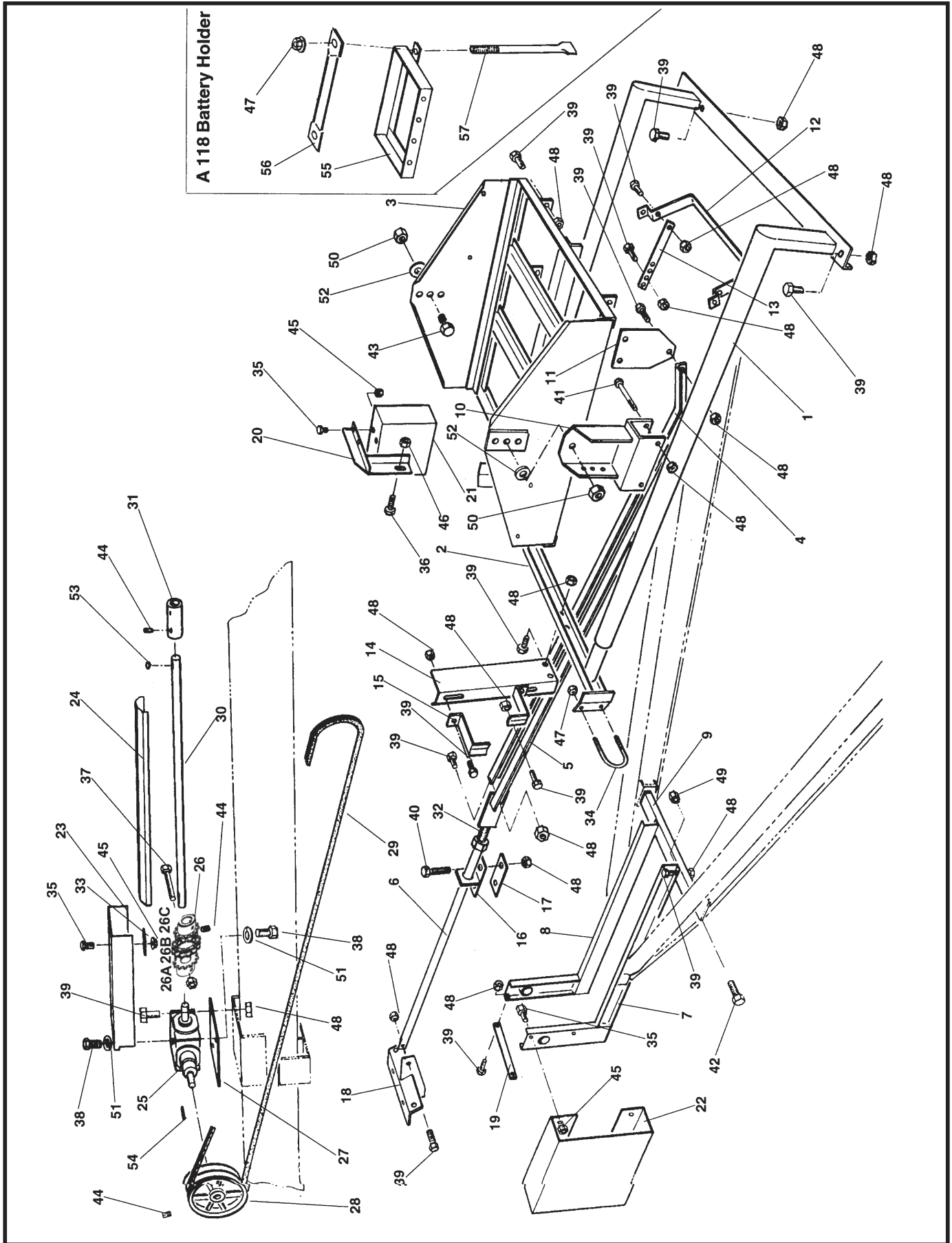
(W130 x 41'-71')



REF NO.	PART NO.		PARTS DESCRIPTION
	41'	51'-71'	
1	19585	17250	Gearbox
2	17233	17252	Gearbox mount, less halfbands
3	18987	18987	Tube halfband
4	19673	—	Flex connector sprocket, 1-1/4" bore w/bolt hole
4	—	17608	Flex connector sprocket, 1-3/4" bore
5	19559	17254	Roller chain w/connector link
6	19802	—	Flex connector sprocket, 1-1/4" bore
6	—	17253	Flex connector sprocket, 1-1/2" bore
7	19803	17255	Complete flex connector
8	17235	17256	Chain coupler shield
9	19256	19256	Shield tiedown strap
10	17249	17257	Shield attach plate
11	17232	17258	Shield assembly with rubber
12	17229	17229	Rubber flap
13	17230	17230	Rubber mount strap
14	17259	17259	Transport saddle, less halfband
15	19806	17260	PTO driveline
16	19648	19648	Saddle pin, less hairpin
17	19463	19463	Hairpin
18	19538	19538	Bolt, 5/16" - 18 x 3/4", grade 2

REF NO.	PART NO.		PARTS DESCRIPTION
	41'	51'-71'	
19	19540	19540	Bolt, 3/8" - 16 x 3/4", grade 2
20	19541	—	Bolt, 3/8" - 16 x 2-3/4", grade 2
21	18698	18698	Bolt, 7/16" - 14 x 1-1/4", grade 5
22	19549	—	Bolt, 1/2" - 13 x 1", grade 2
22	—	17261	Bolt, 5/8" - 11 x 1", grades
23	19595	19595	Washer locknut, 5/16" - 18
24	19596	19596	Washer locknut, 3/8" - 16
25	19598	19598	Locknut, 7/16" - 14
26	19274	19274	Selftapping screw, 1/4" - 14 x 5/8"
27	19608	—	Setscrew, 5/16" - 18 x 3/8"
27	—	19225	Setscrew, 3/8" - 16 x 3/8"
28	19606	—	Square key, 1/4" x 1-1/2"
28	—	17066	Square key, 3/8" x 1-3/4"
29	19605	—	Lockwasher, 1/2"
29	—	17262	Lockwasher, 5/8"

LD - Drive



REF. NO.	PART NO.	PART DESCRIPTION	NO. REQ'D
1	18193	Support tube assembly, outer	1
2	18194	Support tube assembly, inner	1
3	18195	Motor mount Assembly	1
4	18196	Leveling arm, long	1
5	18197	Extension, leveling arm (46' & 51' only)	1
6	18198	Leveling arm, short	1
7	19635	Right reach arm extension	1
8	19636	Left reach arm extension	1
9	19637	Shot crossmember	1
10	18199	Hanger bracket	2
11	18200	Leveler plate	2
12	18201	Belt release handle	1
13	18202	Release strap	2
14	18203	Support bracket, belt guide	1
15	19639	Belt guide	2
16	18204	Leaver guide	1
17	18205	Attach plate	1
18	18206	Attach bracket, leveler	1
19	19634	Spacer bracket	1
20	18207	Bracket, Pulley guard	1
21	18208	Guard, motor pulley	1
22	18359	Guard, gearbox pulley	1
23	19626	Shield, slip connector	1
24	19255	Driveshaft, shield 48"	1
25	19473	Gearbox	1
26	17592	Flex connector, 1" x 1" bore	1
26A	19557	Flex connector sprocket, 1" bore w/keyway	1
26B	19559	Roller chain	1
26C	17591	Flex connector sprocket, 1" bore w/bolt	1
27	19633	Gearbox mounting plate	1
28	19613	Pulley, 13" double groove, 1" bore	1
29	19478	Belt, B210, (41' augers)	2
29	19479	Belt, B240, (46' augers)	2
29	19480	Belt, B270, (51' augers)	2
30	19628	Driveshaft (641, 741, 746 & 751 augers)	1
30	19629	Driveshaft (841 auger)	1
30	19630	Driveshaft (846 auger)	1
30	19631	Driveshaft (851 auger)	1
31	19119	Driveshaft connector	1
32	18209	adjusting bolt	1
33	19627	Shield Securing bracket	1
34	19610	U-bolt, 3/8" x 2-1/2"	2
35	19537	Bolt, 1/4" - 20 x 1/2", Grade 2	x
36	18091	Bolt, 5/16" - 18 x 1", Grade 2	x

REF. NO.	PART NO.	PART DESCRIPTION	NO. REQ'D
37	17631	Bolt, 5/16" - 18 x 2-1/2", Grade 2	x
38	19540	Bolt, 3/8" - 16 x 3/4", Grade 2	x
39	19542	Bolt, 7/16" - 14 x 1", Grade 5	x
40	19545	Bolt, 7/16" - 14 x 2-1/4", Grade 8	x
41	19546	Bolt, 7/16" - 14 x 3", Grade 5	x
42	19588	Bolt, 1/2" - 13 x 1-1/4", Grade 5	x
43	19592	Bolt, 3/4" - 10 x 2", Grade 5	x
44	19225	Set screw 3/8" - 16 x 3/8"	x
45	19594	Washer locknut, 1/4" - 20	x
46	19595	Washer locknut, 5/16" - 18	x
47	19596	Washer locknut, 3/8" - 16	x
48	19598	Locknut, 7/16" - 14	x
49	19599	Locknut, 1/2" - 13	x
50	19601	Locknut, 3/4" - 10	x
51	19604	Lockwasher, 3/8"	x
52	19979	Washer, 3/4"	x
53	19224	Woodruff key, 1/4" x 1"	2
54	19606	Square Key, 1/4" x 1-1/2"	1
55	18210	Battery tray	1
56	18211	Hold down bracket	1
57	18212	Bolt, 3/8" - 16 x 10-1/2", special	2