

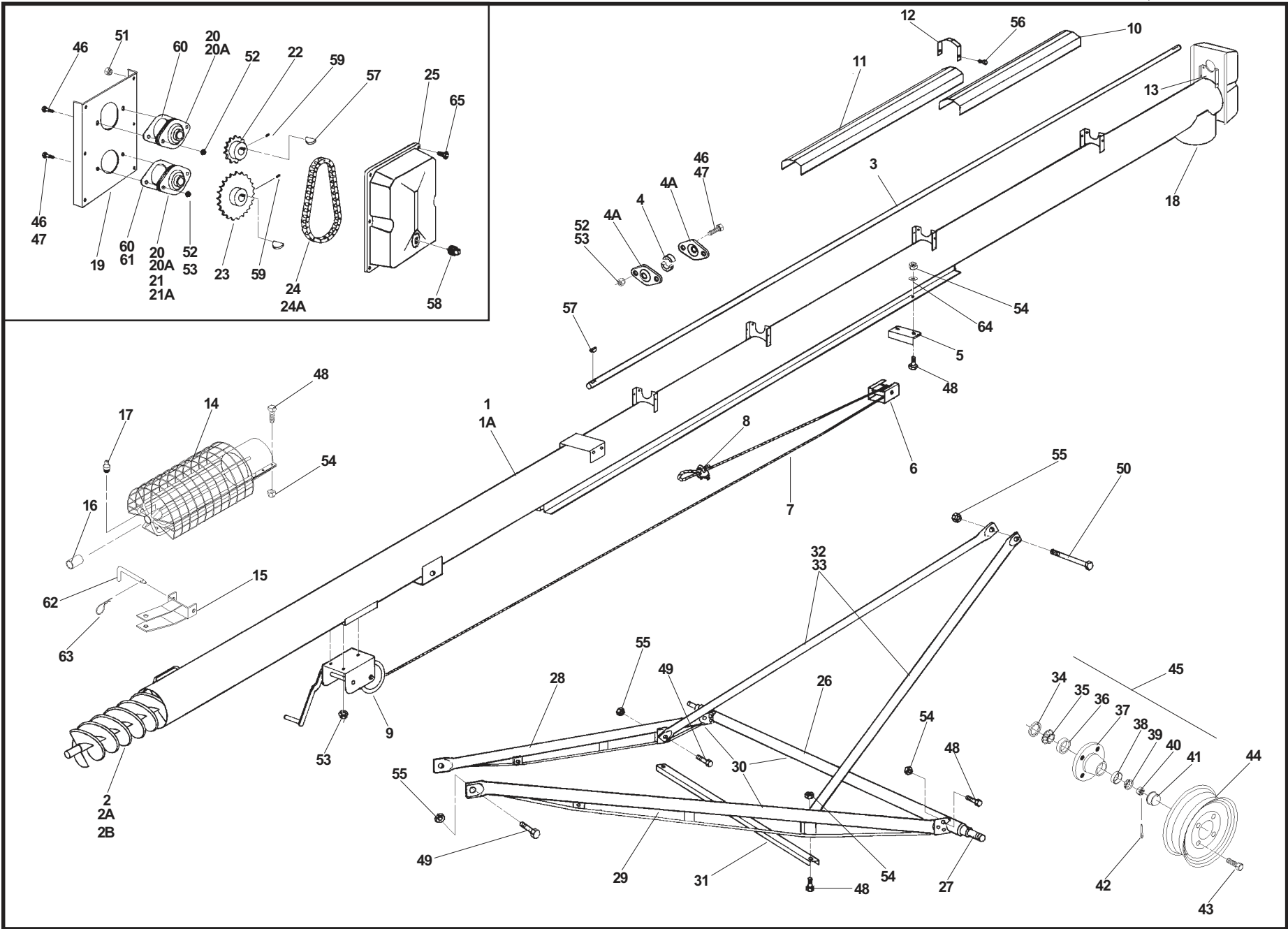
**TRANSPORT AUGER  
TUBE / UNDERCARRIAGE**

Description	Page
WR60 - WR70 - WR80 x 26' basic auger .....	J2-3
WR60 - WR70 - WR80 x 31' basic auger .....	J4-5
WR60 - WR70 - WR80 x 36' basic auger .....	J6-7
WR60 - WR70 - WR80 x 41' basic auger .....	J8-9
WR70 - WR80 x 46' basic auger .....	J10-11
WR60 - WR70 - WR80 x 51' basic auger .....	J12-13
WR80 - 56' basic auger .....	J14-15
WR60 - WR80 - 61' basic auger .....	J16-17
WR80 - 71' basic auger .....	J18-19
WR100 x 31' basic auger .....	J20-21
WR100 x 41' basic auger .....	J22-23
WR100 x 51' basic auger .....	J24-25
WR100 x 61' basic auger .....	J26-27
WR100 x 71' basic auger .....	J28-29
W130 x 41' basic auger .....	J30-31
W130 x 51' basic auger .....	J32-33
W130 x 61' basic auger .....	J34-35
W130 x 71' basic auger .....	J36-37

Westfield RED PAINT Spray can..... Part No. 19885  
 Westfield YELLOW PAINT Spray can..... Part No. 19886

WR 60-70-80-100 AND W130 AUGERS TUBE / UNDERCARRIAGE	<b>J</b>
--	----------

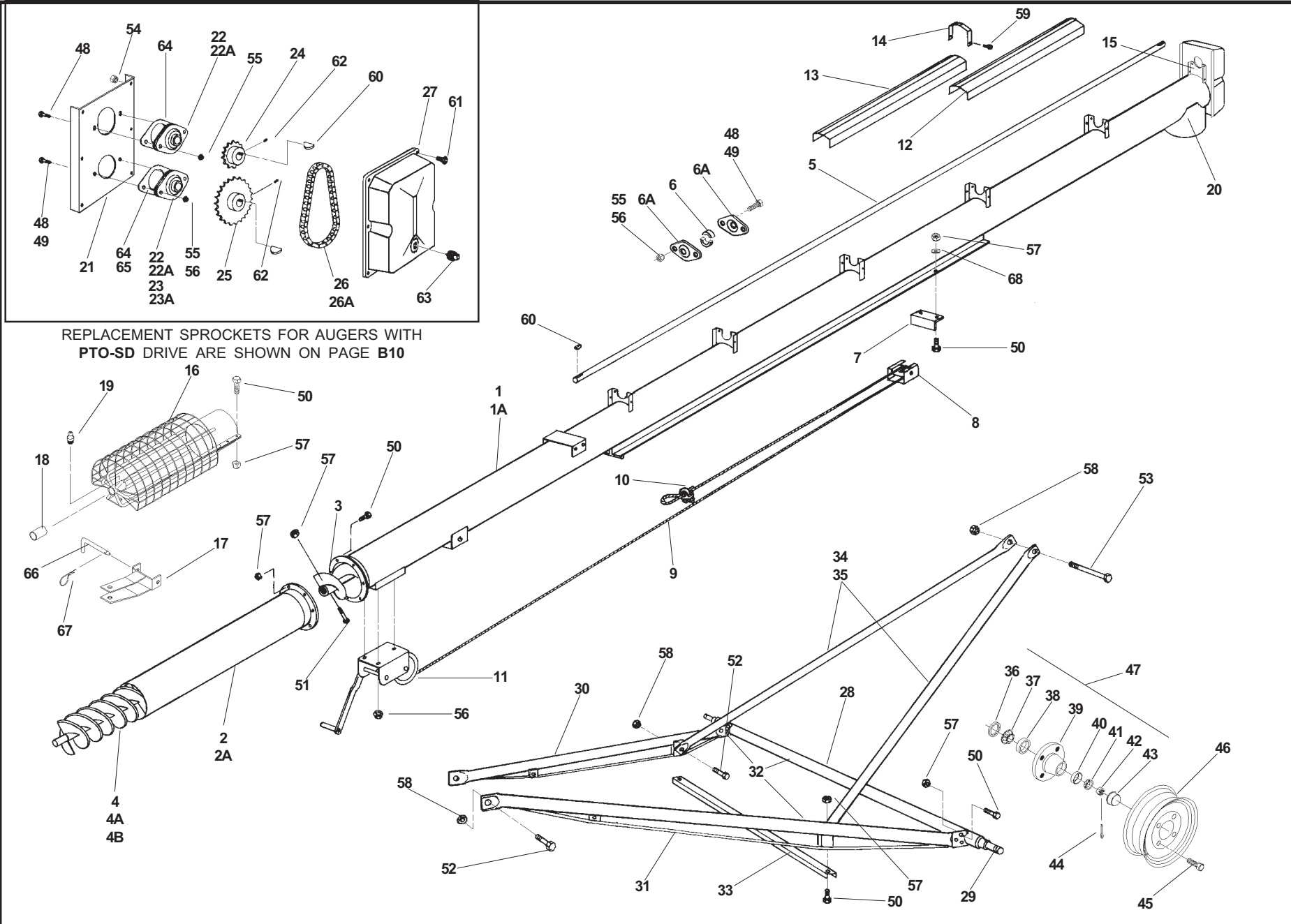
WR60, WR70, WR80 - 26' Basic Auger



REF. NO.	PART NO.			PARTS DESCRIPTION	NO. REQ'D
	6"	7"	8"		
1	19028	19029	19030	Tube section, w/driveshaft, housing, track	1
1A	19054	19055	19056	Tube bundle, as shipped	1
2	19005	19099	19389	Flight section	1
2A	19083	19084	19085	20" Weld-on crimped intake flight	2
2B	17532	17533	17534	Slip on intake flight (1998 & later)	1
3	19086	19086	—	Driveshaft, 14' 4" long	1
3	—	—	19087	Driveshaft, 14' 4-1/2" long	1
4	18692	18692	—	1" split hardwood bearing, set of 2 halves	4
4	—	—	18693	1-1/4" split hardwood bearing, set of 2 halves	4
4A	18694	18694	—	1" bearing flange, single, 2 bolt	x
4A	—	—	18695	1-1/4" bearing flange, single, 2 bolt	x
5	18762	18762	18762	Angle track stop	1
6	18763	18763	18763	Roller track shoe	1
7	19245	19245	19245	1/4" Cable, 21' long	1
8	19147	19147	19147	1/4" Cable clamp	2
9	19151	19151	19151	Winch, 4:1 ratio	1
10	19254	19254	19254	Driveshaft shield, 42" long	2
11	19255	19255	19255	Driveshaft shield, 48" long	2
12	19256	19256	19256	Shield tie-down strap	5
13	19257	19257	19257	Upper shield attach bracket	1
14	19019	19192	19398	Intake hitch w/shield, bushing, grease fitting	1
15	17123	17123	17123	Clevis, less pin	1
16	19149	19149	19149	1" Bushing	1
17	19222	19222	19222	Press-in grease fitting	1
18	19020	17155	17156	Weld-on outlet spout	1
19	17170	17171	17172	Upper drive housing	1
20	19321	19321	19321	1" Flangette bearing, 2 bolt w/flanges	x
20A	18817	18817	18817	1" Bearing, less flanges	x
21	—	—	19322	1-1/4" Flangette bearing, 2 bolt w/flanges	x
21A	—	—	18853	1-1/4" Bearing, less flanges	x
22	19131	19131	19430	Upper sprocket, 14 tooth	1
23	19132	19132	19431	Lower sprocket, 25 tooth	1
24	19015	19133	19432	Roller chain w/connector	1
24A	19134	19134	19433	Roller chain connector only	1
25	17157	17157	17158	Housing cover	1
26	19335	19335	19335	Axle w/spindles, nuts, cotter pins	1
27	19262	19262	19262	Spindle, weld-on	2
28	19344	19344	19344	Lower reach tube, left	1
29	19345	19345	19345	Lower reach tube, right	1
30	19362	19362	19362	Lower reach frame bundle, as shipped	1
31	19371	19371	19371	Cross member	1
32	19380	19380	19380	Upper lift tube, left or right, single	2
33	19526	19526	19526	Upper lift bundle, as shipped, includes ref.#31	1
34	19264	19264	19264	Seal	2
35	19265	19265	19265	Large bearing, Timken #LM 67048	2

REF. NO.	PART NO.			PARTS DESCRIPTION	NO. REQ'D
	6"	7"	8"		
36	19266	19266	19266	Large cup, Timken #LM67010	2
37	19267	19267	19267	Hub w/cups	2
38	19268	19268	19268	Small cup, Timken #LM 11910	2
39	19269	19269	19269	Small bearing, Timken #LM 11949	2
40	19270	19270	19270	Slotted nut, 3/4" - 16	2
41	19272	19272	19272	Dust cap	2
42	19271	19271	19271	Cotter pin, 1/8" x 1-1/2"	2
43	19273	19273	19273	Wheel bolt, 1/2" - 20	8
44	19261	19261	19261	15" Wheel, 4 bolt	2
45	19467	19467	19467	Hub assembly, complete	2
46	19538	19538	19538	Bolt, 5/16" - 18 x 3/4", grade 2	x
47	—	—	19540	Bolt, 3/8" - 16 x 3/4", grade 2	x
48	19542	19542	19542	Bolt, 7/16" - 14 x 1", grade 5	x
49	19590	19590	19590	Bolt, 5/8" - 11 x 1-1/2", grade 5	x
50	19591	19591	19591	Bolt, 5/8" - 11 x 6-1/2", grade 5	x
51	19594	19594	19594	Washer locknut, 1/4" - 20	x
52	19595	19595	19595	Washer locknut, 5/16" - 18	x
53	19596	19596	19596	Washer locknut, 3/8" - 16	x
54	19598	19598	19598	Locknut, 7/16" - 14	x
55	19600	19600	19600	Locknut, 5/8" - 11	x
56	19274	19274	19274	Selftapping screw, #14 x 5/8", w/washerhead	x
57	19224	19224	19224	Woodruff key, 1/4" x 1"	x
58	17179	17179	17179	3/8" Plug	1
59	19225	19225	19225	Setscrew, 3/8" - 16 x 3/8"	x
60	17167	17167	17167	Gasket for 1" flangette bearing	x
61	---	---	17168	Gasket for 1-1/4" flangette bearingx	
62	17181	17181	17181	Clevis pin	1
63	17383	17383	17383	Grip clip	1
64	17182	17182	17182	Track washer, 7/16"	2
65	19988	19988	19988	Bolt, 1/4" - 20 x 1", grade 2	x
--	19676	17771	19682	Basic carton	1

WR60, WR70, WR80 - 26' Basic Auger



REPLACEMENT SPROCKETS FOR AUGERS WITH PTO-SD DRIVE ARE SHOWN ON PAGE B10

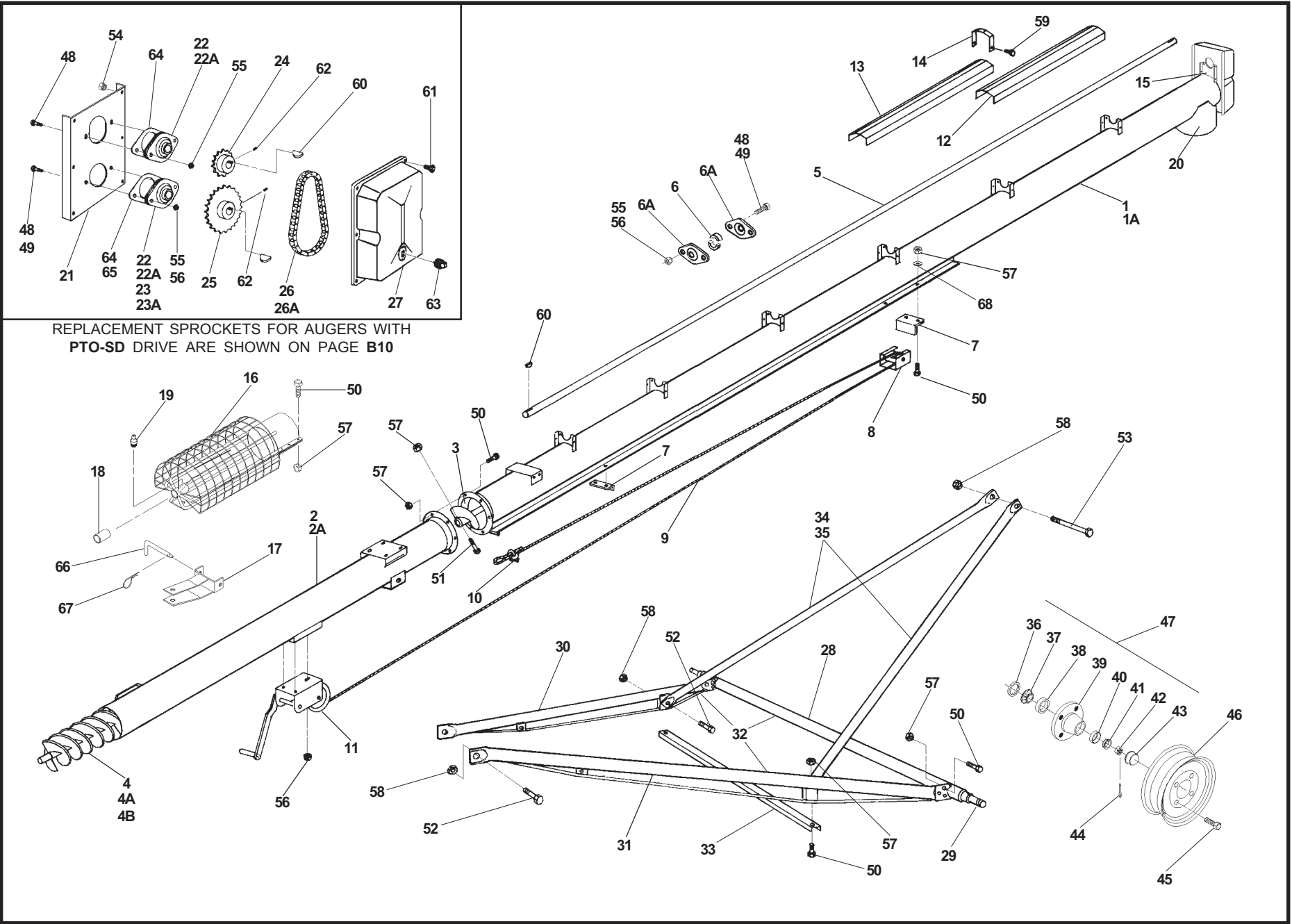
REF. NO.	PART NO.			PARTS DESCRIPTION	NO. REQ'D
	6"	7"	8"		
1	19031	19032	19033	Upper tube section w/driveshaft, housing, track	1
1A	19057	19058	19059	Upper tube bundle, as shipped	1
2	19007	19106	19390	Lower tube section	1
2A	19060	19061	19062	Lower tube bundle, as shipped	1
3	19006	19105	19402	Upper flight section	1
4	19010	19111	19393	Lower flight section	1
4A	19083	19084	19085	20" Weld-on crimped intake flight	2
4B	17532	17533	17534	Slip on intake flight (1998 & later)	1
5	19203	19203	—	Driveshaft, 18' 5-3/4" long	1
5	—	—	19204	Driveshaft, 18' 6-1/4" long	1
6	18692	18692	—	1" split hardwood bearing, set of 2 halves	5
6	—	—	18693	1-1/4" split hardwood bearing, set of 2 halves	5
6A	18694	18694	—	1" bearing flange, single, 2 bolt	x
6A	—	—	18695	1-1/4" bearing flange, single, 2 bolt	x
7	18762	18762	18762	Angle track stop	1
8	18763	18763	18763	Roller track shoe	1
9	19246	19246	19246	1/4" cable, 24' long	1
10	19147	19147	19147	1/4" cable clamp	2
11	19151	19151	19151	Winch, 4:1 ratio	1
12	19254	19254	19254	Driveshaft shield, 42" long	2
13	19255	19255	19255	Driveshaft shield, 48" long	3
14	19256	19256	19256	Shield tie-down strap	6
15	19257	19257	19257	Upper shield attach bracket	1
16	19019	19192	19398	Intake hitch w/shield, bushing, grease fittings	1
17	17123	17123	17123	Clevis, less pin	1
18	19149	19149	19149	1" Bushing	1
19	19222	19222	19222	Press-in grease fitting	1
20	19020	17155	17156	Weld-on outlet spout	1
21	17170	17171	17172	Upper drive housing	1
22	19321	19321	19321	1" Flangette bearing, 2 bolt w/flanges	x
22A	18817	18817	18817	1" Bearing, less flanges	x
23	—	—	19322	1-1/4" Flangette bearing, 2 bolt w/flanges	x
23A	—	—	18853	1-1/4" Bearing, less flanges	x
24	19131	19131	19430	Upper sprocket, 14 tooth	1
25	19132	19132	19431	Lower sprocket, 25 tooth	1
26	19015	19133	19432	Roller chain w/connector	1
26A	19134	19134	19433	Roller chain connector only	1
27	17157	17157	17158	Housing cover	1
28	19336	19336	19336	Axle w/spindles, nuts, cotter pins	1
29	19262	19262	19262	Spindle, weld-on	2
30	19346	19346	19346	Lower reach tube, left	1
31	19347	19347	19347	Lower reach tube, right	1
32	19363	19363	19363	Lower reach frame bundle, as shipped	1
33	19372	19372	19372	Cross member	1
34	19381	19381	19381	Upper lift tube, left or right, single	2

REF. NO.	PART NO.			PARTS DESCRIPTION	NO. REQ'D
	6"	7"	8"		
35	19527	19527	19527	Upper lift bundle, as shipped, includes Ref. #33	1
36	19264	19264	19264	Seal	2
37	19265	19265	19265	Large bearing, Timken #LM 67048	2
38	19266	19266	19266	Large cup, Timken #LM 67010	2
39	19267	19267	19267	Hub w/cups	2
40	19268	19268	19268	Small cup, Timken #LM 11910	2
41	19269	19269	19269	Small bearing, Timken #LM 11949	2
42	19270	19270	19270	Slotted nut, 3/4" - 16	2
43	19272	19272	19272	Dust cap	2
44	19271	19271	19271	Cotter pin, 1/8" x 1-1/2"	2
45	19273	19273	19273	Wheel bolt, 1/2" - 20 x 1"	8
46	19261	19261	19261	15" Wheel, 4 bolt	2
47	19467	19467	19467	Hub assembly, complete	2
48	19538	19538	19538	Bolt, 5/16" - 18 x 3/4", grade 2	x
49	—	—	19540	Bolt, 3/8" - 16 x 3/4", grade 2	x
50	19542	19542	19542	Bolt, 7/16" - 14 x 1", grade 5	x
51	—	—	19545	Bolt, 7/16" - 14 x 2-1/4", grade 8	x
52	19590	19590	19590	Bolt, 5/8" - 11 x 1-1/2", grade 5	x
53	19591	19591	19591	Bolt, 5/8" - 11 x 6-1/2", grade 5	x
54	19594	19594	19594	Washer locknut, 1/4" - 20	x
55	19595	19595	19595	Washer locknut, 5/16" - 18	x
56	19596	19596	19596	Washer locknut, 3/8" - 16	x
57	19598	19598	19598	Locknut, 7/16" - 14	x
58	19600	19600	19600	Locknut, 5/8" - 11	x
59	19274	19274	19274	Selftapping screw, #14 x 5/8", w/washerhead	x
60	19224	19224	19224	Woodruff key, 1/4" x 1"	x
61	19988	19988	19988	Bolt, 1/4" - 20 x 1", grade 2	x
62	19225	19225	19225	Setscrew, 3/8" - 16 x 3/8"	x
63	17179	17179	17179	3/8" Plug	1
64	17167	17167	17167	Gasket for 1" flangette bearing	x
65	---	---	17168	Gasket for 1-1/4" flangette bearing	x
66	17181	17181	17181	Clevis pin	1
67	17383	17383	17383	Grip clip	1
68	17182	17182	17182	Track washer, 7/16"	2
--	19677	17772	19683	Basic carton	1

WR60, WR70, WR80 - 31' Basic Auger

# WR60, WR70, WR80 - 36' Basic Auger

J6



July-08



July-08

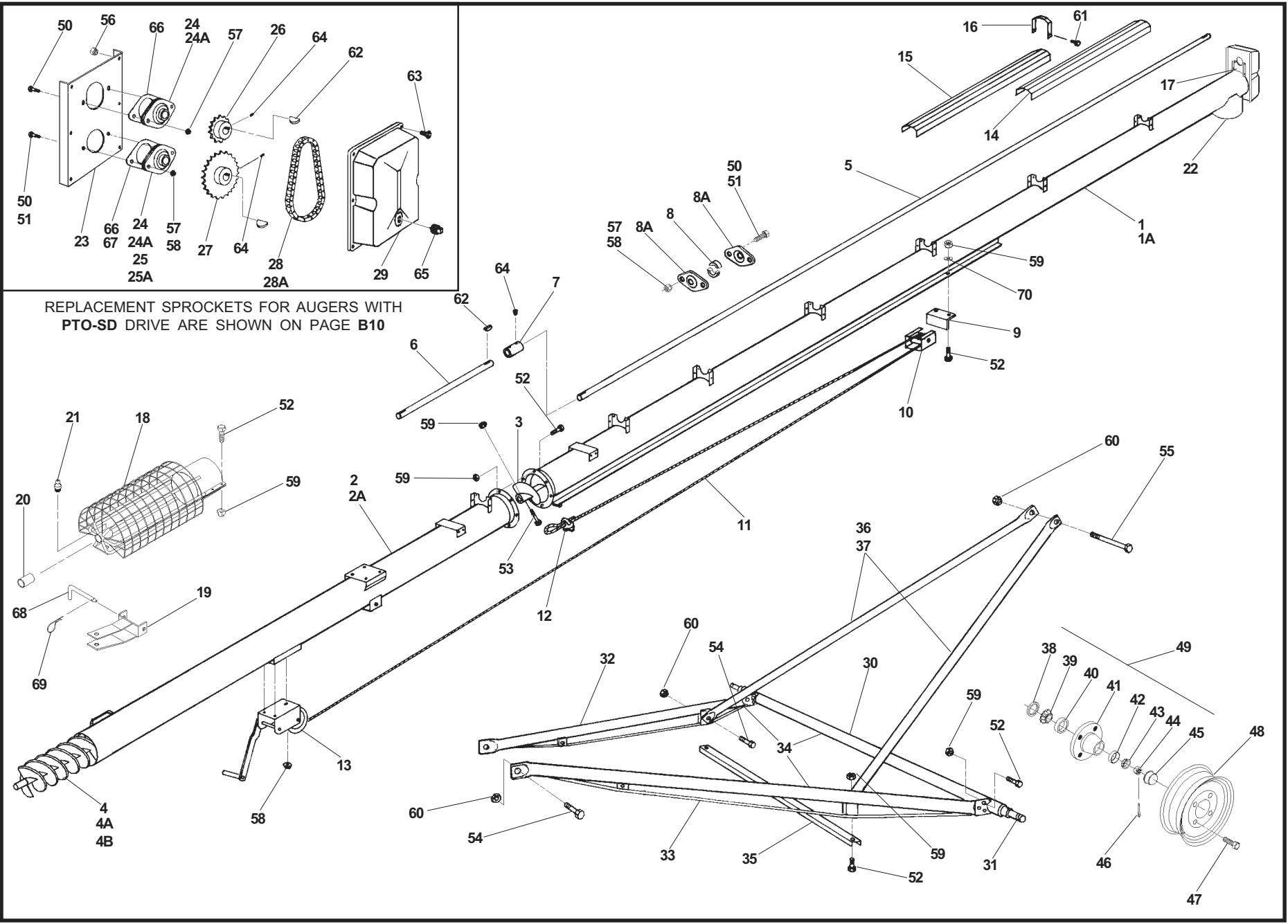
REF. NO.	PART NO.			PARTS DESCRIPTION	NO. REQ'D
	6"	7"	8"		
1	19034	19035	19036	Upper tube section w/driveshaft, housing, track	1
1A	19063	19064	19065	Upper tube bundle, as shipped	1
2	19037	19038	19039	Lower tube section	1
2A	19066	19067	19068	Lower tube bundle, as shipped	1
3	19006	19105	19402	Upper flight section	1
4	19011	19112	19407	Lower flight section	1
4A	19083	19084	19085	20" weld-on crimped intake flight	2
4B	17532	17533	17534	Slip on intake flight (1998 & later)	1
5	19205	19205	—	Driveshaft, 22' 3" long	1
5	—	—	19206	Driveshaft, 22' 3-1/2" long	1
6	18692	18692	—	1" split hardwood bearing, set of 2 halves	6
6	—	—	18693	1-1/4" split hardwood bearing, set of 2 halves	6
6A	18694	18694	—	1" bearing flange, single, 2 bolt	x
6A	—	—	18695	1-1/4" bearing flange, single, 2 bolt	x
7	18762	18762	18762	Angle track stop	2
8	18763	18763	18763	Roller track shoe	1
9	19248	19248	19248	1/4" Cable, 34' 6" long	1
10	19147	19147	19147	1/4" Cable clamp	2
11	19151	19151	19152	Winch	1
12	19254	19254	19254	Driveshaft shield, 42" long	2
13	19255	19255	19255	Driveshaft shield, 48" long	4
14	19256	19256	19256	Shield tie-down strap	7
15	19257	19257	19257	Upper shield attach bracket	1
16	19019	19192	19398	Intake hitch w/shield, bushing, grease fitting	1
17	17123	17123	17123	Clevis, less pin	1
18	19149	19149	19149	1" Bushing	1
19	19222	19222	19222	Press-in grease fitting	1
20	19020	17155	17156	Weld-on outlet spout	1
21	17170	17171	17172	Upper drive housing	1
22	19321	19321	19321	1" Flangette bearing, 2 bolt w/flanges	x
22A	18817	18817	18817	1" Bearing, less flanges	x
23	—	—	19322	1-1/4" Flangette bearing, 2 bolt w/flanges	x
23A	---	---	18853	1-1/4" Bearing, less flanges	x
24	19131	19131	19430	Upper sprocket, 14 tooth	1
25	19132	19132	19431	Lower sprocket, 25 tooth	1
26	19015	19133	19432	Roller chain w/connector	1
26A	19134	19134	19433	Roller chain connector only	1
27	17157	17157	17158	Housing cover	1
28	19337	19337	19337	Axle w/spindles, nuts, cotter pins	1
29	19262	19262	19262	Spindle, weld-on	2
30	19348	19348	19348	Lower reach tube, left	1
31	19349	19349	19349	Lower reach tube, right	1
32	19364	19364	19364	Lower reach frame bundle, as shipped	1
33	19373	19373	19373	Cross member	1
34	19382	19382	19382	Upper lift tube, left or right, single	2

J7

REF. NO.	PART NO.			PARTS DESCRIPTION	NO. REQ'D
	6"	7"	8"		
35	19528	19528	19528	Upper lift bundle, as shipped, includes Ref.#33	1
36	19264	19264	19264	Seal	2
37	19265	19265	19265	Large bearing, Timken#LM67048 2	
38	19266	19266	19266	Large cup, Timken#LM67010	2
39	19267	19267	19267	Hub w/cups	2
40	19268	19268	19268	Small cup, Timken#LM11910	2
41	19269	19269	19269	Small bearing, Timken#LM11949	2
42	19270	19270	19270	Slotted nut, 3/4" - 16	2
43	19272	19272	19272	Dust cap	2
44	19271	19271	19271	1/8" x 1-1/2" Cotter pin	2
45	19273	19273	19273	Wheel bolt, 1/2" - 20 x 1"	8
46	19261	19261	19261	15" Wheel, 4 bolt	2
47	19467	19467	19467	Hub assembly, complete	2
48	19538	19538	19538	Bolt, 5/16" - 18 x 3/4", grade 2	x
49	—	—	19540	Bolt, 3/8" - 16 x 3/4", grade 2	x
50	19542	19542	19542	Bolt, 7/16" - 14 x 1", grade 5	x
51	—	—	19545	Bolt, 7/16" - 14 x 2-1/4", grade 8	x
52	19590	19590	19590	Bolt, 5/8" - 11 x 1-1/2", grade 5	x
53	19591	19591	19591	Bolt, 5/8" - 11 x 6-1/2", grade 5	x
54	19594	19594	19594	Washer locknut, 1/4" - 20	x
55	19595	19595	19595	Washer locknut, 5/16" - 18	x
56	19596	19596	19596	Washer locknut, 3/8" - 16	x
57	19598	19598	19598	Locknut, 7/16" - 14	x
58	19600	19600	19600	Locknut, 5/8" - 11	x
59	19274	19274	19274	Selftapping screw, #14 x 5/8" w/washerhead	x
60	19224	19224	19224	Woodruff key, 1/4" x 1"	x
61	19988	19988	19988	Bolt, 1/4" - 20 x 1", grade 2	x
62	19225	19225	19225	Setscrew, 3/8" - 16 x 3/8"	x
63	17179	17179	17179	3/8" Plug	1
64	17167	17167	17167	Gasket for 1" flangette bearing	x
65	---	---	17168	Gasket for 1-1/4" flangette bearing	x
66	17181	17181	17181	Clevis pin	1
67	17383	17383	17383	Grip clip	1
68	17182	17182	17182	Track washer, 7/16"	2
--	19678	17773	19684	Basic carton	1

WR60, WR70, WR80 - 36' Basic Auger

WR60, WR70, WR80 - 41' Basic Auger

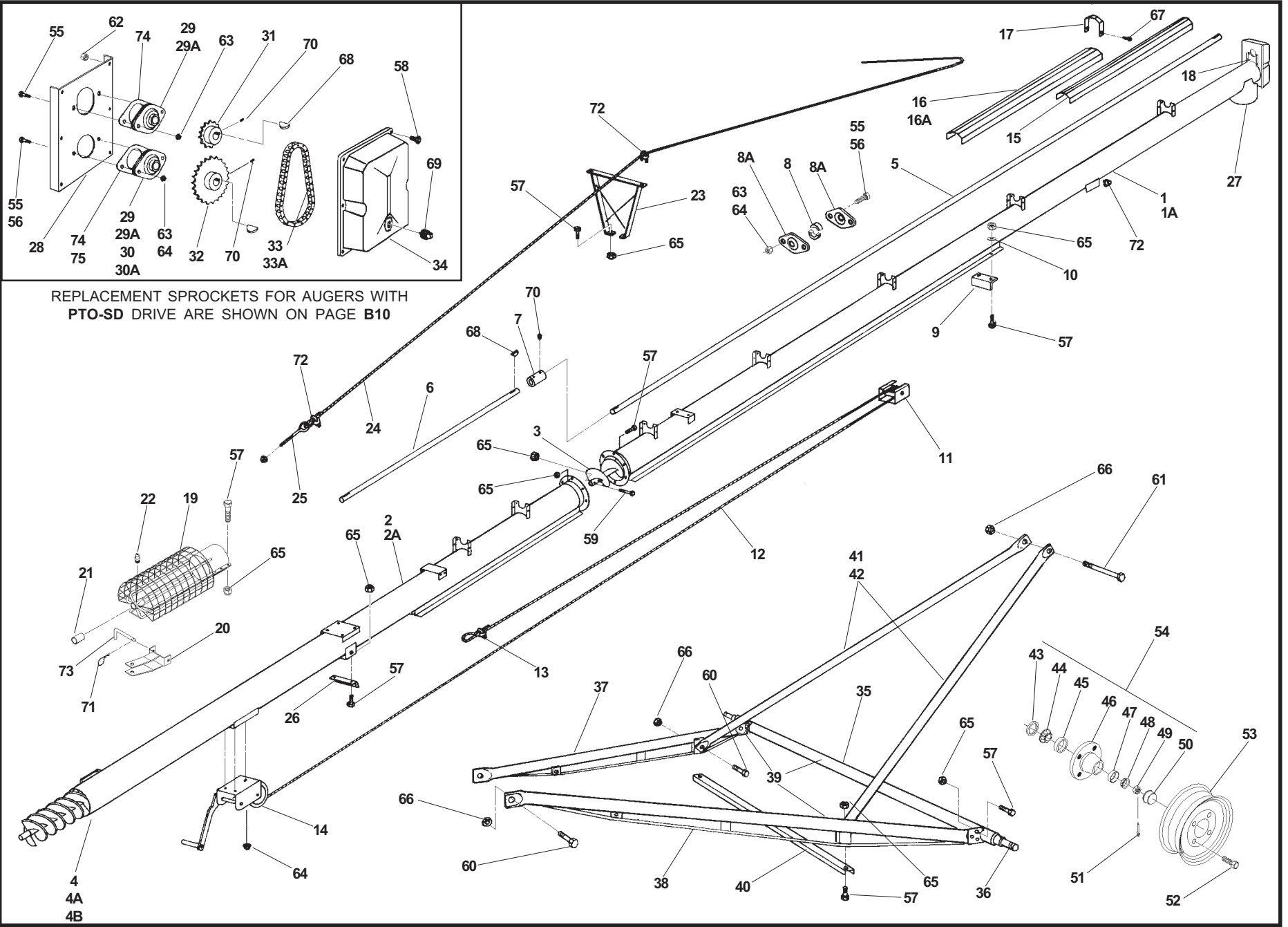




REF. NO.	PART NO.			PARTS DESCRIPTION	NO. REQD
	6"	7"	8"		
1	19034	19035	19036	Upper tube section w/driveshaft, housing track	1
1A	19063	19064	19065	Upper tube bundle, as shipped	1
2	19040	19041	19042	Lower tube section	1
2A	19069	19070	19071	Lower tube bundle, as shipped	1
3	19006	19105	19402	Upper flight section	1
4	19012	19113	19408	Lower flight section	1
4A	19083	19084	19085	20" weld-on crimped intake flight	2
4B	17532	17533	17534	Slip on intake flight (1998 & later)	1
5	19205	19205	—	Upper driveshaft, 22' 3" long	1
5	—	—	19206	Upper driveshaft, 22' 3-1/2" long	1
6	19236	19236	19237	Lower driveshaft, 3' 9-1/2" long	1
7	19119	19119	19119	Driveshaft connector	1
8	18692	18692	—	1" split hardwood bearing, set of 2 halves	7
8	—	—	18693	1-1/4" split hardwood bearing, set of 2 halves	7
8A	18694	18694	—	1" bearing flange, single, 2 bolt	x
8A	—	—	18695	1-1/4" bearing flange, single, 2 bolt	x
9	18762	18762	18762	Angle track stop	1
10	18763	18763	18763	Roller track shoe	1
11	19248	19248	19248	1/4" Cable, 34' 6" long	1
12	19147	19147	19147	1/4" Cable clamp	2
13	19151	19151	19152	Winch	1
14	19254	19254	19254	Driveshaft shield, 42" long	2
15	19255	19255	19255	Driveshaft shield, 48" long	5
16	19256	19256	19256	Shield tie-down strap	8
17	19257	19257	19257	Upper shield attach bracket	1
18	19019	19192	19398	Intake hitch w/shield, bushing, grease fitting	1
19	17123	17123	17123	Clevis, less pin	1
20	19149	19149	19149	1" Bushing	1
21	19222	19222	19222	Press-in grease fitting	1
22	19020	17155	17156	Weld-on outlet spout	1
23	17170	17171	17172	Upper drive housing	1
24	19321	19321	19321	1" Flangette bearing, 2 bolt w/flanges	x
24A	18817	18817	18817	1" Bearing, less flanges	x
25	—	—	19322	1-1/4" Flangette bearing, 2 bolt w/flanges	x
25A	---	---	18853	1-1/4" Bearing, less flanges	x
26	19131	19131	19430	Upper sprocket, 14 tooth	1
27	19132	19132	19431	Lower sprocket, 25 tooth	1
28	19015	19133	19432	Roller chain w/connector	1
28A	19134	19134	19433	Roller chain connector only	1
29	17157	17157	17158	Housing cover	1
30	19338	19338	19338	Axle w/spindles, nuts, cotter pins	1
31	19262	19262	19262	Spindle, weld-on	2
32	19350	19350	19350	Lower reach tube, left	1
33	19351	19351	19351	Lower reach tube, right	1
34	19365	19365	19365	Lower reach frame bundle,as shipped	1

REF. NO.	PART NO.			PARTS DESCRIPTION	NO. REQD
	6"	7"	8"		
35	19374	19374	19374	Cross member	1
36	19383	19383	19383	Upper lift tube, left or right, single	2
37	19529	19529	19529	Upper lift bundle, as shipped, includes Ref. #35	1
38	19264	19264	19264	Seal	2
39	19265	19265	19265	Large bearing, Timken#LM67048 2	
40	19266	19266	19266	Large cup, Timken#LM67010	2
41	19267	19267	19267	Hub w/cups	2
42	19268	19268	19268	Small cup, Timken#LM11910	2
43	19269	19269	19269	Small bearing, Timken#LM11949	2
44	19270	19270	19270	Slotted nut, 3/4" - 16	2
45	19272	19272	19272	Dust cap	2
46	19271	19271	19271	1/8" x 1-1/2" Cotter pin	2
47	19273	19273	19273	Wheel bolt, 1/2" - 20	8
48	19261	19261	19261	15" Wheel, 4 bolt	2
49	19467	19467	19467	Hub assembly, complete	2
50	19538	19538	19538	Bolt, 5/16" - 18 x 3/4", grade 2	x
51	—	—	19540	Bolt, 3/8" - 16 x 3/4", grade 2	x
52	19542	19542	19542	Bolt, 7/16" - 14 x 1", grade 5	x
53	—	—	19545	Bolt, 7/16" - 14 x 2-1/4", grade 8	x
54	19590	19590	19590	Bolt, 5/8" - 11 x 1-1/2", grade 5	x
55	19591	19591	19591	Bolt, 5/8" - 11 x 6-1/2", grade 5	x
56	19594	19594	19594	Washer locknut, 1/4" - 20	x
57	19595	19595	19595	Washer locknut, 5/16" - 18	x
58	19596	19596	19596	Washer locknut, 3/8" - 16	x
59	19598	19598	19598	Locknut, 7/16" - 14	x
60	19600	19600	19600	Locknut, 5/8" - 11	x
61	19274	19274	19274	Selftapping screw, #14 x 5/8" w/washerhead	x
62	19224	19224	19224	Woodruff key, 1/4" x 1"	x
63	19988	19988	19988	Bolt, 1/4" - 20 x 1", grade 2	x
64	19225	19225	19225	Setscrew, 3/8" - 16 x 3/8"	x
65	17179	17179	17179	3/8" Plug	1
66	17167	17167	17167	Gasket for 1" flangette bearing	x
67	---	---	17168	Gasket for 1-1/4" flangette bearing	x
68	17181	17181	17181	Clevis pin	1
69	17383	17383	17383	Grip clip	1
70	17182	17182	17182	Track washer, 7/16"	2
--	19679	17774	19685	Basic carton	1

# WR70, WR80 - 46' Basic Auger



REPLACEMENT SPROCKETS FOR AUGERS WITH PTO-SD DRIVE ARE SHOWN ON PAGE B10

July-08

REF. NO.	PART NO.		PARTS DESCRIPTION	NO. REQ'D
	7"	8"		
1	18711	18712	Upper tube section w/driveshaft, housing	1
1A	18722	18723	Upper tube bundle, as shipped	1
2	17183	17184	Lower tube section	1
2A	17185	17186	Lower tube bundle, as shipped	1
3	19105	19402	Upper flight section	1
4	19114	19409	Lower flight section	1
4A	19084	19085	20" Weld-on crimped intake flight	2
4B	17533	17534	Slip on intake flight (1998 & later)	1
5	18700	—	Upper driveshaft, 1" x 24' 2"	1
5	—	18702	Upper driveshaft, 1-1/4" x 24'	1
6	17187	—	Lower driveshaft, 1" x 5' 6-1/2"	1
6	—	17189	Lower driveshaft, 1-1/4" x 10' 2-1/2"	1
7	19119	19119	Driveshaft connector	1
8	18692	—	1" Split hardwood bearing, set of 2 halves	7
8	—	18693	1-1/4" Split hardwood bearing, set of 2 halves	7
8A	18694	—	1" Bearing flange, single, 2 bolt	x
8A	—	18695	1-1/4" Bearing flange, single, 2 bolt	x
9	18762	18762	Angle track stop	1
10	17182	17182	Track washer, 7/16"	2
11	18763	18763	Roller track shoe	1
12	19249	19249	1/4" Cable, 44' long	1
13	19147	19147	1/4" Cable clamp	2
14	19152	19152	Winch, 5:1 ratio	1
15	19254	19254	Driveshaft shield, 42" long	x
16	19255	19255	Driveshaft shield, 48" long	x
16A	18829	18829	Driveshaft shield, 60" long	x
17	19256	19256	Shield tie-down strap	x
18	19257	19257	Upper shield attach bracket	1
19	19192	19398	Intake hitch w/shield, bushing, grease fitting	1
20	17123	17123	Clevis, less pin	1
21	19149	19149	1" Bushing	1
22	19222	19222	Press-in grease fitting	1
23	19324	19324	Truss support bracket, low	1
24	18825	18825	5/16" Truss cable, 57' 6" long	1
25	19331	19331	Eye bolt w/nut	2
26	19332	19332	Truss attach angle	1
27	17155	17156	Weld-on spout	1
28	17171	17172	Upper drive housing	1
29	19321	19321	1" Flangette bearing, 2 bolt w/flanges	x
29A	18817	18817	1" Bearing, less flanges	x
30	—	19322	1-1/4" Flangette bearing, 2 bolt w/flanges	x
30A	—	18853	1-1/4" Bearing, less flanges	x
31	19131	19430	Upper sprocket, 14 tooth	1
32	19132	19431	Lower sprocket, 25 tooth	1
33	19133	19432	Roller chain w/connector	1

J11

REF. NO.	PART NO.		PARTS DESCRIPTION	NO. REQ'D
	7"	8"		
33A	19134	19433	Roller chain connector only	1
34	17157	17158	Housing cover	1
35	19339	19339	Axle w/spindles, nuts, cotter pins	1
36	19263	19263	Spindle, weld-on	2
37	19352	19352	Lower reach tube, left	1
38	19353	19353	Lower reach tube, right	1
39	19366	19366	Lower reach frame bundle, as shipped	1
40	19375	19375	Cross member	1
41	19384	19384	Upper lift tube, left or right, single	2
42	19531	19531	Upper lift bundle, as shipped, includes ref. #40	1
43	19264	19264	Seal	2
44	19265	19265	Large bearing, Timken #LM 67048	2
45	19266	19266	Large cup, Timken #LM 67010	2
46	19267	19267	Hub w/cups	2
47	19268	19268	Small cup, Timken #LM 11910	2
48	19269	19269	Small bearing, Timken #LM 11949	2
49	19270	19270	Slotted nut, 3/4" - 16	2
50	19272	19272	Dust cap	2
51	19271	19271	Cotter pin, 1/8" x 1-1/2"	2
52	19273	19273	Wheel bolt, 1/2" - 20	8
53	19261	19261	15" Wheel, 4 bolt	2
54	19467	19467	Hub assembly, complete	2
55	19538	19538	Bolt, 5/16" - 18 x 3/4", grade 2	x
56	—	19540	Bolt, 3/8" - 16 x 3/4", grade 2	x
57	19542	19542	Bolt, 7/16" - 14 x 1", grade 5	x
58	19988	19988	Bolt, 1/4" - 20 x 1", grade 2	x
59	—	19545	Bolt, 7/16" - 14 x 2-1/4", grade 8	x
60	19590	19590	Bolt, 5/8" - 11 x 1-1/2", grade 5	x
61	19591	19591	Bolt, 5/8" - 11 x 6-1/2", grade 5	x
62	19594	19594	Washer locknut, 1/4" - 20	x
63	19595	19595	Washer locknut, 5/16" - 18	x
64	19596	19596	Washer locknut, 3/8" - 16	x
65	19598	19598	Locknut, 7/16" - 14	x
66	19600	19600	Locknut, 5/8" - 11	x
67	19274	19274	Selftapping screw, #14 x 5/8", with washerhead	x
68	19224	19224	Woodruff key, 1/4" x 1"	x
69	17179	17179	3/8" Plug	1
70	19225	19225	Set screw, 3/8" - 16 x 3/8"	x
71	17383	17383	Grip clip	1
72	19333	19333	Cable clamp, 5/16"	5
73	17181	17181	Clevis pin	1
74	17167	17167	Gasket for 1" flangette bearing	x
75	—	17168	Gasket for 1-1/4" flangette bearing	x
--	19680	19686	Basic carton	1

WR70, WR80 - 46' Basic Auger



REF. NO.	PART NO.			PARTS DESCRIPTION	NO. REQD
	6"	7"	8"		
1	17191	18711	18712	Upper tube sect. w/driveshaft, housing	1
1A	17192	18722	18723	Upper tube bundle, as shipped	1
2	17193	17194	17195	Lower tube section	1
2A	17196	17197	17198	Lower tube bundle, as shipped	1
3	19006	19105	19402	Upper flight section	1
4	17081	19115	19410	Lower flight section	1
4A	19083	19084	19085	20" Weld-on crimped intake flight	2
4B	17532	17533	17534	Slip on intake flight (1998 & later)	1
5	18700	18700	---	Upper driveshaft, 1" x 24' 2" long	1
5	---	---	18702	Upper driveshaft, 1-1/4" x 24' long	1
6	17188	17188	---	Lower driveshaft, 1" x 9' 2" long	1
6	---	---	17190	Lower driveshaft, 1-1/4" x 13' 10"	1
7	19119	19119	19119	Driveshaft connector	1
8	18692	18692	---	1" Split hardwood bearing, (2 halves)	7
8	---	---	18693	1-1/4" Split hardwood bearing, (2 halves)	7
8A	18694	18694	---	1" Bearing flange, single, 2 bolt	x
8A	---	---	18695	1-1/4" Bearing flange, single, 2 bolt	x
9	18762	18762	18762	Angle track stop	1
10	17182	17182	17182	Track washer, 7/16"	2
11	18763	18763	18763	Roller track shoe	1
12	19250	19250	19250	1/4" Cable, 47' long	1
13	19147	19147	19147	1/4" Cable clamp	2
14	19152	19152	19152	Winch, 5:1 ratio	1
15	19254	19254	19254	Driveshaft shield, 42" long	x
16	19255	19255	19255	Driveshaft shield, 48" long	x
16A	18829	18829	18829	Driveshaft shield, 60" long	x
17	19256	19256	19256	Shield tie-down strap	x
18	19257	19257	19257	Upper shield attach bracket	1
19	19019	19192	19398	Intake hitch w/shield, bushing	1
20	17123	17123	17123	Clevis, less pin	1
21	19149	19149	19149	1" Bushing	1
22	19222	19222	19222	Press-in grease fitting	1
23	19324	19324	19324	Truss support bracket, low	1
24	18826	18826	18826	5/16" Truss cable, 65' long	1
25	19331	19331	19331	Eye bolt w/nut	2
26	19332	19332	19332	Truss attach angle	1
27	19020	17155	17156	Weld-on spout	1
28	17170	17171	17172	Upper drive housing	1
29	19321	19321	19321	1" Flangette bearing, 2 bolt w/flanges	x
29A	18817	18817	18817	1" Bearing, less flanges	x
30	---	---	19322	1-1/4" Flangette bearing, 2 bolt w/flanges	x
30A	---	---	18853	1-1/4" Bearing, less flanges	x
31	19131	19131	19430	Upper sprocket, 14 tooth	1
32	19132	19132	19431	Lower sprocket, 25 tooth	1
33	19015	19133	19432	Roller chain w/connector	1

REF. NO.	PART NO.			PARTS DESCRIPTION	NO. REQD
	6"	7"	8"		
33A	19134	19134	19433	Roller chain connector only	1
34	17157	17157	17158	Housing cover	1
35	19340	19340	19340	Axle w/spindles, nuts, cotter pins	1
36	19263	19263	19263	Spindle, weld-on	2
37	19354	19354	19354	Lower reach tube, left	1
38	19355	19355	19355	Lower reach tube, right	1
39	19367	19367	19367	Lower reach frame bundle, as shipped	1
40	19376	19376	19376	Cross member	1
41	19522	19522	19522	Upper lift tube, left or right, single	2
42	19532	19532	19532	Upper lift bundle, as shipped, ref. #40	1
43	19264	19264	19264	Seal	2
44	19265	19265	19265	Large bearing, Timken#LM67048 2	2
45	19266	19266	19266	Large cup, Timken#LM67010	2
46	19267	19267	19267	Hub w/cups	2
47	19268	19268	19268	Small cup, Timken#LM11910	2
48	19269	19269	19269	Small bearing, Timken#LM11949	2
49	19270	19270	19270	Slotted nut, 3/4" - 16	2
50	19272	19272	19272	Dust cup	2
51	19271	19271	19271	1/8" x 1-1/2" Cotter pin	2
52	19273	19273	19273	Wheel bolt, 1/2" - 20	8
53	19261	19261	19261	15" Wheel, 4 bolt	2
54	19467	19467	19467	Hub assembly, complete	2
55	19538	19538	19538	Bolt, 5/16" - 18 x 3/4", grade 2	x
56	---	---	19540	Bolt, 3/8" - 16 x 3/4" grade 2	x
57	19542	19542	19542	Bolt, 7/16" - 14 x 1", grade 5	x
58	19988	19988	19988	Bolt, 1/4" - 20 x 1", grade 2	x
59	---	---	19545	Bolt, 7/16" - 14 x 2-1/4", grade 8	x
60	19590	19590	19590	Bolt, 5/8" - 11 x 1-1/2", grade 5	x
61	19591	19591	19591	Bolt, 5/8" - 11 x 6-1/2", grade 5	x
62	19594	19594	19594	Washer locknut, 1/4" - 20	x
63	19595	19595	19595	Washer locknut, 5/16" - 18	x
64	19596	19596	19596	Washer locknut, 3/8" - 16	x
65	19598	19598	19598	Locknut, 7/16" - 14	x
66	19600	19600	19600	Locknut, 5/8" - 11	x
67	19274	19274	19274	Selftapping screw, #14 x 5/8"	x
68	19224	19224	19224	Woodruff key, 1/4" x 1"	x
69	17179	17179	17179	3/8" Plug	1
70	19225	19225	19225	Set screw, 3/8" - 16 x 3/8"	x
71	17383	17383	17383	Grip clip	1
72	19333	19333	19333	Cable clamp, 5/16"	5
73	17181	17181	17181	Clevis pin	1
74	17167	17167	17167	Gasket for 1" flangette bearing	x
75	---	---	17168	Gasket for 1-1/4" flangette bearing	x
--	17082	19681	19687	Basic carton	1







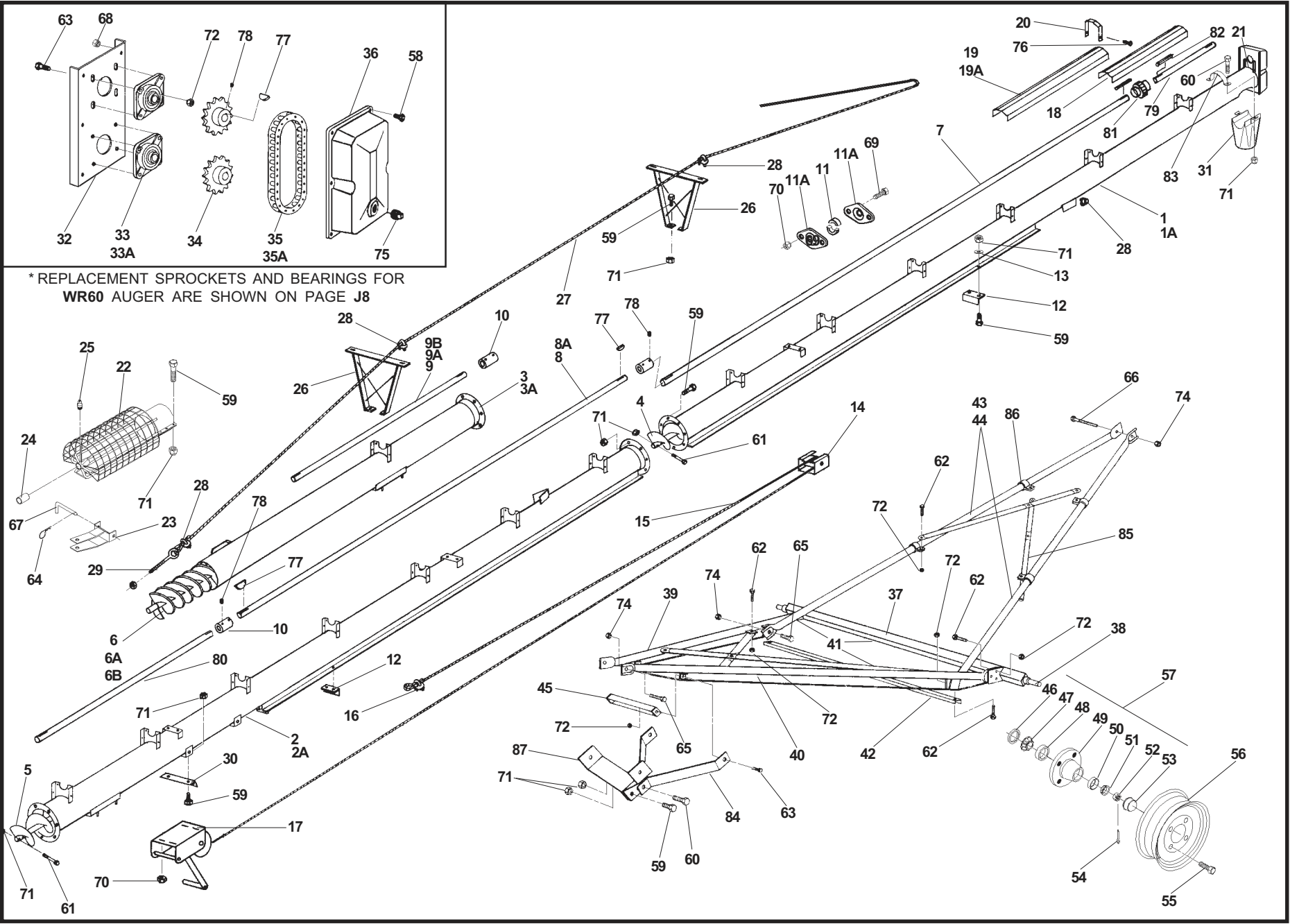
July-08

REF. NO.	PART NO.	PARTS DESCRIPTION	NO. REQ'D
1	17199	Upper tube section w/driveshaft, housing	1
1A	17200	Upper tube bundle, as shipped	1
2	17201	Center tube section w/driveshaft	1
2A	17202	Center tube bundle, as shipped	1
3	19051	Lower tube section	1
3A	19080	Lower tube bundle, as shipped	1
4	19402	Upper flight section	1
5	19552	Center flight section	1
6	19393	Lower flight section	1
6A	19085	20" weld-on crimped intake flight	2
6B	17534	Slip on intake flight (1998 & later)	1
7	19808	Upper driveshaft, 21' 1" long	1
8	19994	Center driveshaft, 18' 9" long	1
9	19120	Lower driveshaft, 1' 3" long	1
10	19119	Driveshaft connector	3
11	18693	1-1/4" split hardwood bearing, set of 2 halves	13
11A	18695	1-1/4" bearing flanges, single, 2 bolt	26
12	18762	Angle track stop	2
13	17182	Track washer, 7/16"	2
14	17203	Roller track shoe	1
15	19252	1/4" Cable, 65' 6" long	1
16	19147	1/4" Cable clamp	2
17	19569	Winch, 15:1 ratio	1
18	19254	Driveshaft shield, 42" long	3
19	19255	Driveshaft shield, 48" long	11
20	19256	Shield tie-down strap	15
21	19773	Upper shield attach bracket	1
22	19398	Intake hitch w/shield, bushing, grease fitting	1
23	17123	Clevis, less pin	1
24	19149	1" Bushing	1
25	19222	Press-in grease fitting	1
26	19324	Truss support bracket, low	2
27	17165	5/16" Truss cable, 77' 6" long	1
28	19333	5/16" Cable clamp	7
29	19331	Eye bolt w/nut	2
30	18031	Truss attach angle	1
31	18028	Strap-on spout	1
32	17204	Upper drive housing	1
33	19567	1-1/4" Bearing, w/4 bolt flange	2
33A	18852	1-1/4" Bearing, less flange	2
34	19564	Sprocket, 80 B14	2
35	19565	Roller chain w/connector	1
35A	19323	Roller chain connector only	1
36	17159	Housing cover	1
37	19342	Axle w/spindles, nuts, cotter pins	1
38	19263	Spindle, weld-on	2
39	19358	Lower reach tube, left	1
40	19359	Lower reach tube, right	1
41	19369	Lower reach frame bdl. as shipped, incl. #87	1

J15

REF. NO.	PART NO.	PARTS DESCRIPTION	NO. REQ'D
42	19378	Cross member	1
43	19524	Upper lift tube left or right, single	2
44	19534	Upper lift bundle, as shipped, includes Ref. #42	1
45	18914	Short cross member, 2 bolt	1
46	19264	Seal	2
47	19265	Large bearing, Timken #LM67048	2
48	19266	Large cup, Timken #LM67010	2
49	19267	Hub w/cups	2
50	19268	Small cup, Timken #LM11910	2
51	19269	Small bearing, Timken #LM11949	2
52	19270	Slotted nut, 3/4" - 16	2
53	19272	Dust cap	2
54	19271	Cotter pin, 1/8" x 1-1/2"	2
55	19273	Wheel bolt, 1/2" - 20 x 1"	8
56	19261	Wheel, 15", 4 bolt	2
57	19467	Hub assembly, complete	2
58	19988	Bolt, 1/4" - 20 x 1", grade 2	x
59	19542	Bolt, 7/16" - 14 x 1", grade 5	x
60	19981	Bolt, 7/16" - 14 x 1-3/4", grade 5	x
61	19545	Bolt, 7/16" - 14 x 2-1/4", grade 8	x
62	19588	Bolt, 1/2" - 13 x 1-1/4", grade 5	x
63	19589	Bolt, 1/2" - 13 x 1-1/2", grade 2	x
64	19590	Bolt, 5/8" - 11 x 1-1/2", grade 5	x
65	19592	Bolt, 3/4" - 10 x 2", grade 5	x
66	19593	Bolt, 3/4" - 10 x 6-1/2", grade 5	x
67	17383	Grip clip	1
68	19594	Washer locknut, 1/4" - 20	x
69	19540	Bolt, 3/8" - 16 x 3/4", grade 2	x
70	19596	Washer-locknut, 3/8" - 16	x
71	19598	Locknut, 7/16" - 14	x
72	19599	Locknut, 1/2" - 13	x
73	19600	Locknut, 5/8" - 11	x
74	19601	Locknut, 3/4" - 10	x
75	17181	Clevis pin	1
76	19274	Selftapping screw, #14 x 5/8", w/washerhead	x
77	19224	Woodruff key, 1/4" x 1"	x
78	19225	Set screw, 3/8" - 16 x 3/8"	x
79	17179	3/8" Plug	1
80	19460	Tube halfband	1
81	19807	Upper driveshaft, 4' 0" section	1
82	19419	Center driveshaft, 6' 4" section	1
83	19606	Square key, 1/4" x 1-1/2"	2
84	19771	Chain flex connector	1
85	18916	Stabilizer brace, single	2
86	19797	Tube clamp	4
87	19796	Single cross brace	4
88	18909	Stabilizer bracket, single	2
--	19688	Basic carton	1

WR80 - 56' Basic Auger



July-08

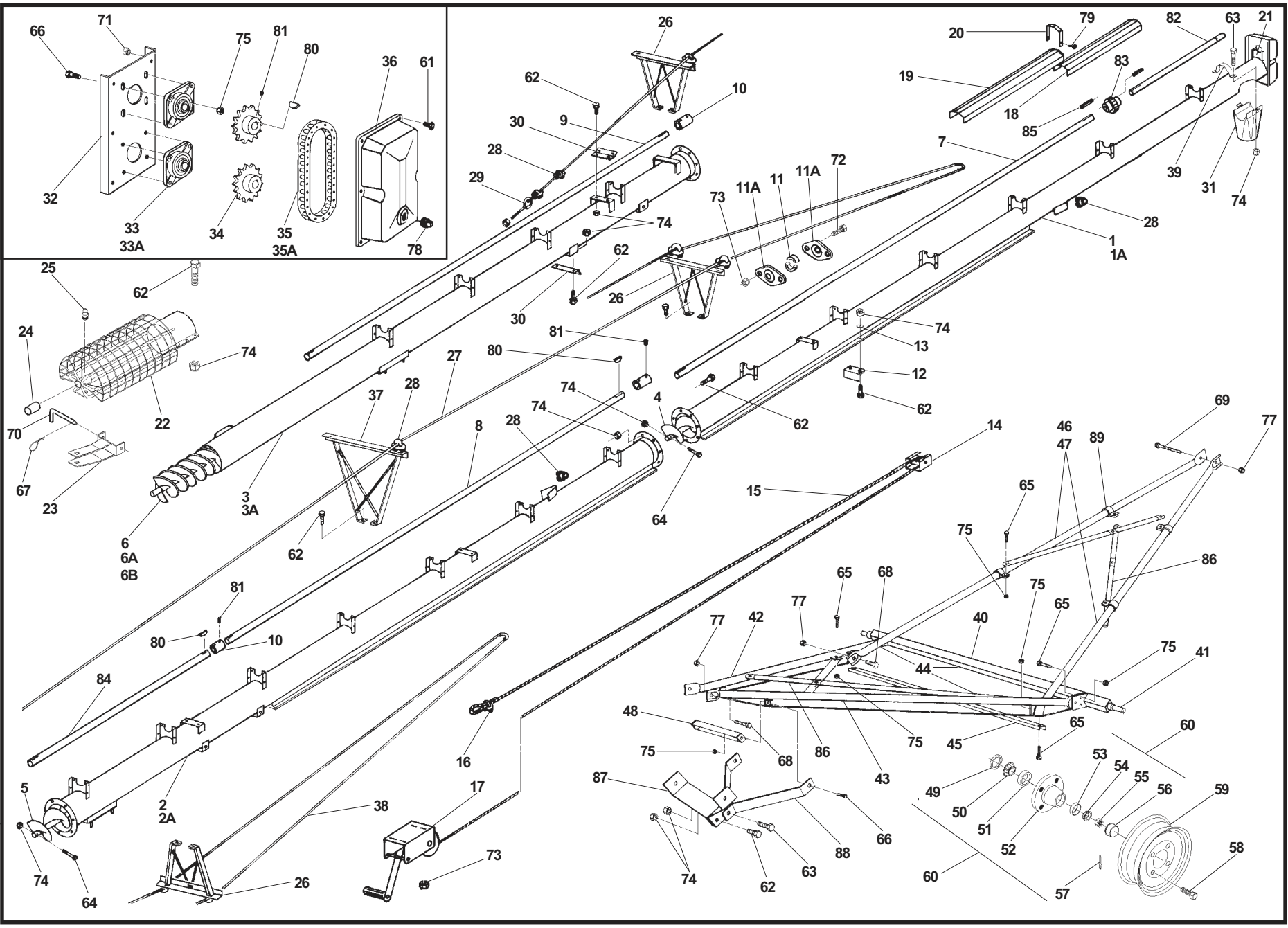
REF. NO.	PART NO.		PARTS DESCRIPTION	NO. REQ'D
	6"	8"		
1	17191	17199	Upper tube section w/driveshaft, housing	1
1A	17192	17200	Upper tube bundle, as shipped	1
2	17205	17201	Center tube section w/driveshaft	1
2A	17206	17202	Center tube bundle, as shipped	1
3	17089	19052	Lower tube section	1
3A	17090	19081	Lower tube bundle, as shipped	1
4	19006	19402	Upper flight section	1
5	17091	19552	Center flight section	1
6	19011	19407	Lower flight section	1
6A	19083	19085	20" Weld-on crimped intake flight	2
6B	17532	17534	Slip on intake flight (1998 & later)	1
7	18700	19808	Upper driveshaft, 21' 1" section (WR60 - 24' 2")	1
8	—	19994	Center driveshaft, 18' 9" section	1
8A	17207	—	Center driveshaft, 19' 3" long	1
9	—	19419	Lower driveshaft, 6' 4" long	1
9A	17188	—	Lower driveshaft, 9' 2" long	1
9B	19628	—	Lower driveshaft, 4' 9" long	1
10	19119	19119	Driveshaft connector	3
11	18692	—	1" split hardwood bearing, set of 2 halves	14
11	—	18693	1-1/4" split hardwood bearing, set of 2 halves	14
11A	18694	—	1" bearing flange, single, 2 bolt	32
11A	—	18695	1-1/4" bearing flange, single, 2 bolt	28
12	18762	18762	Angle track stop	2
13	17182	17182	Track washer, 7/16"	2
14	18763	17203	Roller track shoe	1
15	19252	19252	1/4" Cable, 65' 6" long	1
16	19147	19147	1/4" Cable clamp	2
17	19152	19569	Winch	1
18	19254	19254	Driveshaft shield, 42" long	x
19	19255	19255	Driveshaft shield 48" long	x
19A	18829	—	Driveshaft shield, 60" long	x
20	19256	19256	Shield tie-down strap	x
21	19257	19773	Upper shield attach bracket	1
22	19019	19398	Intake hitch w/shield, bushing, grease fitting	1
23	17123	17123	Clevis, less pin	1
24	19149	19149	1" Bushing	1
25	19222	19222	Press-in grease fitting	1
26	19324	19324	Truss support bracket, low	2
27	18855	17165	5/16" Truss cable, 77' 6" long (WR60 - 98')	1
28	19333	19333	5/16" Cable clamp	7
29	19331	19331	Eye bolt with nut	2
30	19332	18031	Truss attach angle	1
31	—	18028	Strap-on spout	1
32	17170	17204	Upper drive housing	1
33	*	19567	1-1/4" Bearing, w/4 bolt flange	2
33A	*	18852	1-1/4" Bearing, less flange	2
34	*	19564	Sprocket, 80 B 14	2
35	19015	19565	Roller chain with connector	1
35A	19134	19323	Roller chain connector only	1
36	17157	17159	Housing cover	1
37	19342	19342	Axle w/spindles, nuts, cotter pins	1

J17

REF. NO.	PART NO.		PARTS DESCRIPTION	NO. REQ'D
	6"	8"		
38	19263	19263	Spindle, weld-on	2
39	19358	19358	Lower reach tube, left	1
40	19359	19359	Lower reach tube, right	1
41	19369	19369	Lower reach frame bundle as shipped, incl. #85	1
42	19378	19378	Cross member	1
43	19524	19524	Upper lift tube, left or right, single	2
44	19534	19534	Upper lift bundle, as shipped, (incl. Ref. #42)	1
45	19536	18914	Short cross member, 2 bolt	1
46	19264	19264	Seal	2
47	19265	19265	Large bearing, Timken#LM67048	2
48	19266	19266	Large cup, Timken#LM67010	2
49	19267	19267	Hub w/cups	2
50	19268	19268	Small cup, Timken#LM11910	2
51	19269	19269	Small bearing, Timken#LM11949	2
52	19270	19270	Slotted nut, 3/4" - 16	2
53	19272	19272	Dust cap	2
54	19271	19271	Cotter pin, 1/8" x 1-1/2"	2
55	19273	19273	Wheel bolt, 1/2" - 20 x 1"	8
56	19261	19261	Wheel, 15", 4 bolt	2
57	19467	19467	Hub assembly, complete	2
58	19988	19988	Bolt, 1/4" - 20 x 1", grade 2	x
59	19542	19542	Bolt, 7/16" - 14 x 1", grade 5	x
60	—	19981	Bolt, 7/16" - 14 x 1-3/4", grade 5	x
61	—	19545	Bolt, 7/16" - 14 x 2-1/4", grade 8	x
62	19588	19588	Bolt, 1/2" - 13 x 1-1/4", grade 5	x
63	—	19589	Bolt, 1/2" - 13 x 1-1/2", grade 2	x
64	17383	17383	Grip clip	1
65	19592	19592	Bolt, 3/4" - 10 x 2", grade 5	x
66	19593	19593	Bolt 3/4" - 10 x 6-1/2", grade 5	x
67	17181	17181	Clevis pin	1
68	19594	19594	Washer locknut, 1/4" - 20	x
69	—	19540	Bolt, 3/8" - 16 x 3/4", grade 2	x
70	—	19596	Washer locknut, 3/8" - 16	x
71	19598	19598	Locknut, 7/16" - 14	x
72	19599	19599	Locknut, 1/2" - 13	x
73	19600	19600	Locknut, 5/8" - 11	x
74	19601	19601	Locknut, 3/4" - 10	x
75	17179	17179	3/8" Plug	1
76	19274	19274	Selftapping screw, #14 x 5/8", with washerhead	x
77	19224	19224	Woodruff key, 1/4" x 1"	x
78	19225	19225	Set screw, 3/8" - 16 x 3/8"	x
79	—	19807	Upper driveshaft, 4' 0" section	1
80	—	19419	Center driveshaft, 6' 4" section	1
81	—	19771	Chain flex connector	1
82	—	19606	Square key, 1/4" x 1-1/2"	2
83	—	19460	Tube half band	1
84	18916	18916	Stabilizer brace, single	2
85	19796	19796	Single cross brace	4
86	19797	19797	Tube clamp	4
87	18909	18909	Stabilizer bracket, single	2
—	17092	19689	Basic carton	1

WR60, WR80 - 61' Basic Auger

# WR80 - 71' Basic Auger



July-08

REF. NO.	PART NO.	PARTS DESCRIPTION	NO. REQ'D
1	17199	Upper tube section w/driveshaft, housing	1
1A	17200	Upper tube bundle, as shipped	1
2	17201	Center tube section w/driveshaft	1
2A	17202	Center tube bundle, as shipped	1
3	17221	Lower tube section	1
3A	17222	Lower tube bundle, as shipped	1
4	19402	Upper flight section	1
5	19552	Center flight section	1
6	19409	Lower flight section	1
6A	19085	20" weld-on crimped intake flight	2
6B	17534	Slip on intake flight (1998 & later)	1
7	19808	Upper driveshaft, 21' 1" section	1
8	19994	Center driveshaft, 18' 9" section	1
9	19242	Lower driveshaft, 16' 4" long	1
10	19119	Driveshaft connector	3
11	18693	1-1/4" split hardwood bearing, set of 2 halves	17
11A	18695	1-1/4" bearing flanges, single, 2 bolt	34
12	18762	Angle track stop	1
13	17182	Track washer, 7/16"	2
14	17203	Roller track shoe	1
15	19253	1/4" Cable, 74' long	1
16	19147	1/4" Cable clamp	2
17	19569	Winch, 15:1 ratio	1
18	19254	Driveshaft shield, 42" long	6
19	19255	Driveshaft shield, 48" long	12
20	19256	Shield tie-down strap	19
21	19773	Upper shield attach bracket	1
22	19398	Intake hitch w/shield, bushing, grease fitting	1
23	17123	Clevis, less pin	1
24	19149	1" Bushing	1
25	19222	Press-in grease fitting	1
26	19324	(Low) Truss support bracket	3
27	18855	5/16" Truss cable, 98' long	1
28	19333	5/16" Cable clamp	14
29	19331	Eye bolt w/nut	4
30	19332	Truss attach angle	2
31	18028	Strap-on spout	1
32	17204	Upper drive housing	1
33	19567	1-1/4" Bearing, w/4 bolt flange	2
33A	18852	1-1/4" Bearing, less flange	2
34	19564	Sprocket, 80 B14	2
35	19565	Roller chain w/connector	1
35A	19323	Roller chain connector only	1
36	17159	Housing cover	1
37	19325	(High) Truss support bracket	1
38	17042	5/16" Truss cable, 52' long	1
39	19460	Tube half band	1
40	19343	Axle w/spindles, nuts, cotter pins	1
41	19263	Spindle, weld-on	2

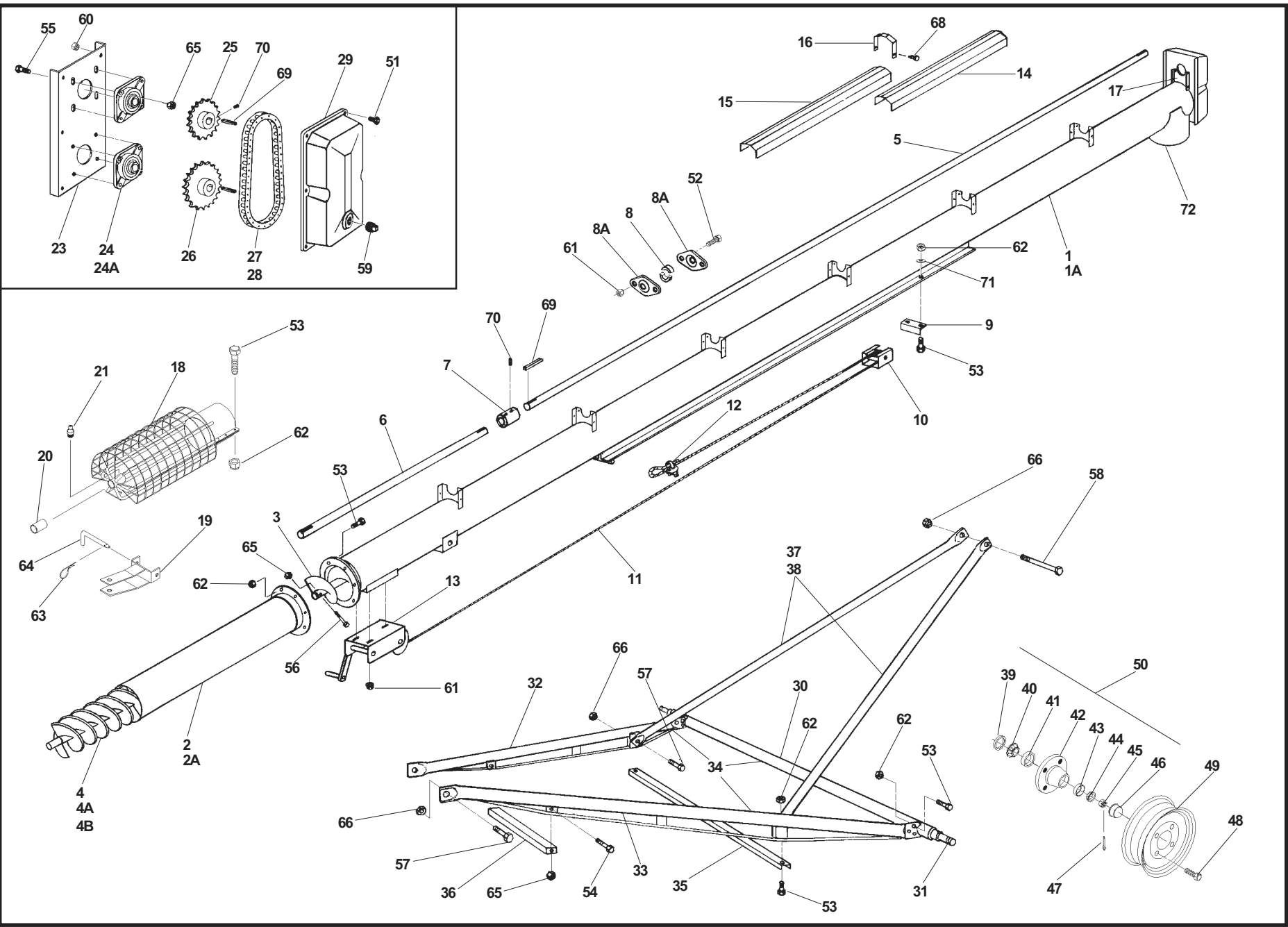
J19

REF. NO.	PART NO.	PARTS DESCRIPTION	NO. REQ'D
42	19360	Lower reach tube, left	1
43	19361	Lower reach tube, right	1
44	19370	Lower reach frame bundle, as shipped, incl. #86	1
45	19379	Cross member	1
46	19525	Upper lift tube, left or right, single	2
47	19535	Upper lift bundle, as shipped, includes Ref. #45	1
48	18914	Short cross member, 2 bolt	1
49	19264	Seal	2
50	19265	Large bearing, Timken #LM67048	2
51	19266	Large cup, Timken #LM67010	2
52	19267	Hub w/cups	2
53	19268	Small cup, Timken #LM11910	2
54	19269	Small bearing, Timken #LM11949	2
55	19270	Slotted nut, 3/4" - 16	2
56	19272	Dust cap	2
57	19271	Cotter pin, 1/8" x 1-1/2"	2
58	19273	Wheel bolt, 1/2" - 20 x 1"	8
59	19261	Wheel, 15", 4 bolt	2
60	19467	Hub assembly, complete	2
61	19988	Bolt, 1/4" - 20 x 1", grade 2	x
62	19542	Bolt, 7/16" - 14 x 1", grade 5	x
63	19981	Bolt, 7/16" - 14 x 1-3/4", grade 5	x
64	19545	Bolt, 7/16" - 14 x 2-1/4", grade 8	x
65	19588	Bolt, 1/2" - 13 x 1-1/4", grade 5	x
66	19589	Bolt, 1/2" - 13 x 1-1/2", grade 2	x
67	17383	Grip clip	1
68	19592	Bolt, 3/4" - 10 x 2", grade 5	x
69	19593	Bolt, 3/4" - 10 x 6-1/2", grade 5	x
70	17181	Clevis pin	1
71	19594	Washer locknut, 1/4" - 20	x
72	19540	Bolt, 3/8" - 16 x 3/4", grade 2	x
73	19596	Washer-locknut, 3/8" - 16	x
74	19598	Locknut, 7/16" - 14	x
75	19599	Locknut, 1/2" - 13	x
76	19600	Locknut, 5/8" - 11	x
77	19601	Locknut, 3/4" - 10	x
78	17179	3/8" Plug	1
79	19274	Selftapping screw, #14 x 5/8", w/washerhead	x
80	19224	Woodruff key, 1/4" x 1"	x
81	19225	Set screw, 3/8" - 16 x 3/8"	x
82	19807	Upper driveshaft, 4' 0" section	1
83	19771	Chain flex connector	1
84	19419	Center driveshaft, 6' 4" section	1
85	19606	Square key, 1/4" x 1-1/2"	2
86	19796	Single cross brace	4
87	18909	Stabilizer bracket, single	2
88	18915	Stabilizer brace, single	2
89	19797	Tube clamp	4
--	19690	Basic carton	1

WR80 - 71' Basic Auger



# WR100 - 31' Basic Auger



J20

July-08



July-08

REF. NO.	PART NO.	PARTS DESCRIPTION	NO. REQD
1	19733	Upper tube section w/driveshaft, housing, track	1
1A	19734	Upper tube bundle, as shipped	1
2	19735	Lower tube section	1
2A	19736	Lower tube bundle, as shipped	1
3	19753	Upper flight section	1
4	19754	Lower flight section	1
4A	19760	30" Weld-on crimped intake flight	2
4B	17535	Slip on intake flight (1998 & later)	1
5	19761	Upper driveshaft, 1-1/4" x 21' 10" long	1
6	19940	Lower driveshaft, 1-1/4" x 3' 10" long	1
7	19770	Driveshaft connector, 1-1/4" bore	1
8	18693	1-1/4" split hardwood bearing, set of 2 halves	6
8A	18695	1-1/4" bearing flange, single, 2 bolt	12
9	18762	Angle track stop	1
10	18763	Roller track shoe	1
11	19246	1/4" Cable, 24' long	1
12	19147	1/4" Cable clamp	2
13	19152	Winch, 5:1 ratio	1
14	19254	Driveshaft shield, 42" long	2
15	19255	Driveshaft shield, 48" long	5
16	19256	Shield tie-down strap	8
17	19773	Upper shield attach bracket	1
18	19774	Intake hitch w/shield, bushing, grease fitting	1
19	17180	Clevis, less pin	1
20	19776	1-1/4" Bushing	1
21	19222	Press-in grease fitting	1
23	17208	Upper drive housing	1
24	19567	1-1/4" Bearing, w/4 bolt flange	2
24A	18852	1-1/4" Bearing, less flange	2
25	19779	Upper sprocket, 18 tooth	1
26	19780	Lower sprocket, 21 tooth	1
27	19781	Roller chain w/connector	1
28	19323	Roller chain connector only	1
29	17160	Housing cover	1
30	19336	Axle w/spindles, nuts, cotter pins	1
31	19262	Spindle, weld-on	2
32	19784	Lower reach tube, left	1
33	19785	Lower reach tube, right	1
34	19786	Lower reach frame bundle, as shipped	1
35	19372	Cross member	1
36	19794	Short cross member	1
37	19787	Upper lift tube, left or right, single	2
38	19788	Upper lift bundle, as shipped, includes ref. no. 35	1
39	19264	Seal	2
40	19265	Large bearing, Timken #LM 67048	2

J21

REF. NO.	PART NO.	PARTS DESCRIPTION	NO. REQD
41	19266	Large cup, Timken #LM 67010	2
42	19267	Hub w/cups	2
43	19268	Small cup, Timken #LM 11910	2
44	19269	Small bearing, Timken #LM 11949	2
45	19270	Slotted nut, 3/4" - 16	2
46	19272	Dust cap	2
47	19271	Cotter pin, 1/8" x 1-1/2"	2
48	19273	Wheel bolt, 1/2" - 20 x 1"	8
49	19261	15" Wheel, 4 bolt	2
50	19467	Hub assembly, complete	2
51	19988	Bolt, 1/4" - 20 x 1", grade 2	x
52	19540	Bolt, 3/8" - 16 x 3/4", grade 2	x
53	19542	Bolt, 7/16" - 14 x 1", grade 5	x
54	19588	Bolt, 1/2" - 13 x 1-1/4", grade 5	x
55	19589	Bolt, 1/2" - 13 x 1-1/2", grade 2	x
56	19798	Bolt, 1/2" - 13 x 2-3/4", grade 8	x
57	19590	Bolt, 5/8" - 11 x 1-1/2", grade 5	x
58	19591	Bolt, 5/8" - 11 x 6-1/2", grade 5	x
59	17179	3/8" Plug	1
60	19594	Washer-locknut, 1/4" - 20	x
61	19596	Washer-locknut, 3/8" - 16	x
62	19598	Locknut, 7/16" - 14	x
63	17383	Grip clip	1
64	17181	Clevis pin	1
65	19599	Locknut, 1/2" - 13	x
66	19600	Locknut, 5/8" - 11	x
67	19601	Locknut, 3/4" - 10	x
68	19274	Selftapping screw, #14 x 5/8"	x
69	19606	Square key, 1/4" x 1-1/2"	x
70	19225	Set screw, 3/8" - 16 x 3/8"	x
71	17182	Track washer, 7/16"	2
72	17225	Weld-on spout	1
--	19893	Basic carton	1

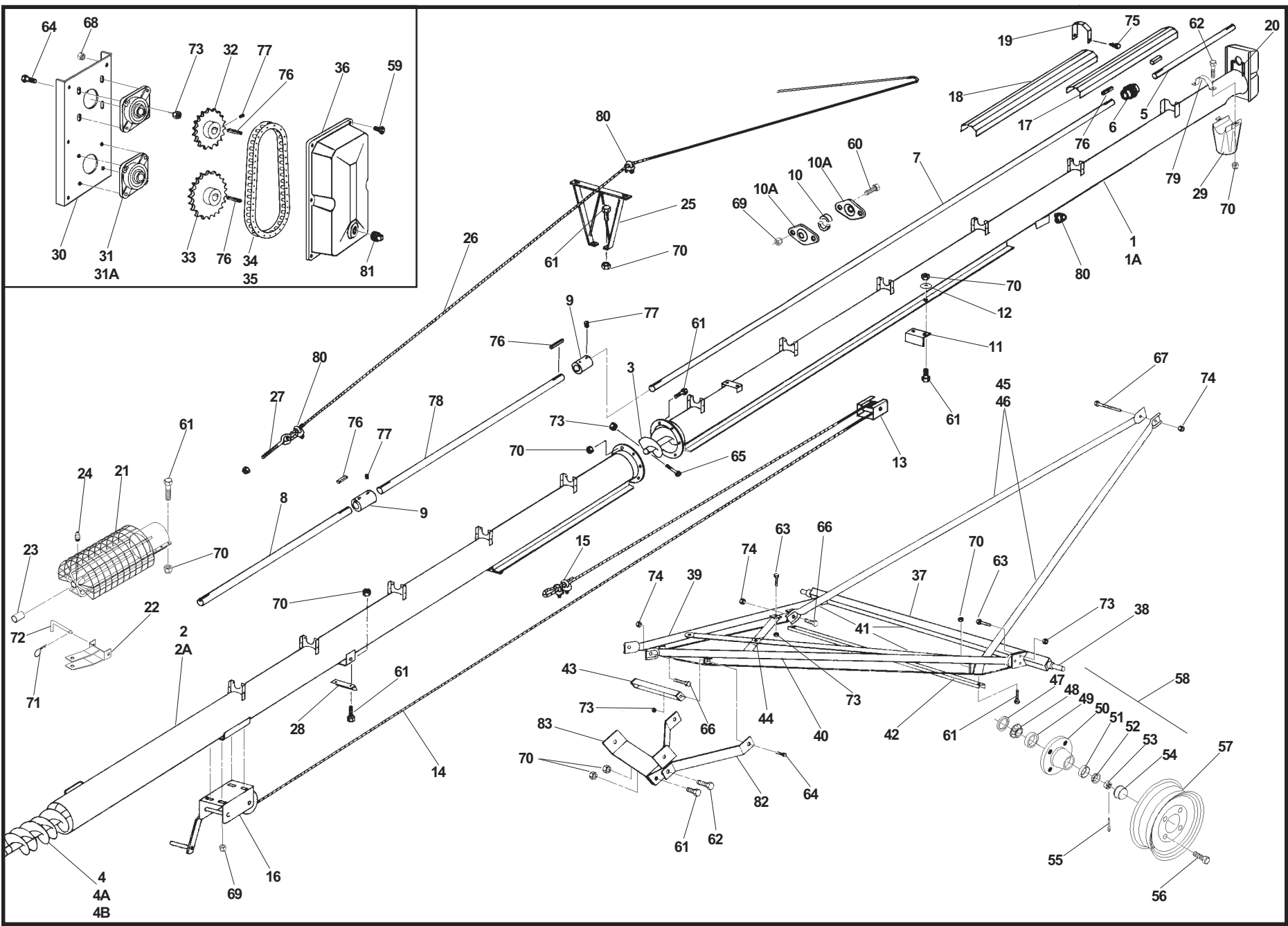
WR100 - 31' Basic Auger



REF. NO.	PART NO.	PARTS DESCRIPTION	NO. REQ'D
1	17209	Upper tube section w/driveshaft, housing, track	1
1A	17210	Upper tube bundle, as shipped	1
2	17213	Lower tube section with driveshaft	1
2A	17214	Lower tube bundle, as shipped	1
3	19753	Upper flight section	1
4	19755	Lower flight section	1
4A	19760	30" Weld-on crimped intake flight	2
4B	17535	Slip on intake flight (1998 & later)	1
5	19763	Short upper driveshaft, 48" long	1
6	19771	Chain flex connector	1
7	19766	Upper driveshaft, 21' 1" long	1
8	19954	Lower driveshaft, 5' 2-1/2" long	1
9	19770	Driveshaft connector, 1-1/4" bore	2
10	18693	1-1/4" split hardwood bearing, set of 2 halves	9
10A	18695	1-1/4" bearing flange, single, 2 bolt	18
11	18762	Angle track stop	1
12	17203	Roller track shoe	1
13	18823	1/4" Cable, 38' long	1
14	19147	1/4" Cable clamp	2
15	19569	Winch, 15:1 ratio	1
16	19254	Driveshaft shield, 42" long	4
17	19255	Driveshaft shield, 48" long	6
18	19256	Shield tie-down strap	11
19	19773	Upper shield attach bracket	1
20	19774	Intake hitch w/shield, bushing, grease fitting	1
21	17180	Clevis, less pin	1
22	19776	1-1/4" Bushing	1
23	19222	Press-in grease fitting	1
24	17182	Track washer, 7/16"	2
25	17208	Upper drive housing	1
26	19567	1-1/4" Bearing, w/4 bolt flange	2
26A	18852	1-1/4" Bearing, less flange	2
27	19779	Upper sprocket, 18 tooth	1
28	19780	Lower sprocket, 21 tooth	1
29	19781	Roller chain w/connector	1
30	19323	Roller chain connector only	1
31	17160	Housing cover	1
32	19338	Axle w/spindles, nuts, cotter pins	1
33	19262	Spindle, weld-on	2
34	19350	Lower reach tube, left	1
35	19351	Lower reach tube, right	1
36	19365	Lower reach frame bundle, as shipped	1
37	19374	Cross member	1
38	19637	Short cross member	1
39	19383	Upper lift tube, left or right, single	2

REF. NO.	PART NO.	PARTS DESCRIPTION	NO. REQ'D
40	19529	Upper lift bundle, as shipped, includes ref.no.37	1
41	19264	Seal	2
42	19265	Large bearing, Timken#LM67048	2
43	19266	Large cup, Timken#LM67010	2
44	19267	Hub w/cups	2
45	19268	Small cup, Timken#LM11910	2
46	19269	Small bearing, Timken#LM11949	2
47	19270	Slotted nut, 3/4" - 16	2
48	19272	Dust cap	2
49	19271	Cotter pin, 1/8" x 1-1/2"	2
50	19273	Wheel bolt, 1/2" - 20 x 1"	8
51	19261	15" Wheel, 4 bolt	2
52	19467	Hub assembly, complete	2
53	19988	Bolt, 1/4" - 20 x 1", grade 2	x
54	19540	Bolt, 3/8" - 16 x 3/4", grade 2	x
55	19542	Bolt, 7/16" - 14 x 1", grade 5	x
56	19588	Bolt, 1/2" - 13 x 1-1/4", grade 5	x
57	19589	Bolt, 1/2" - 13 x 1-1/2", grade 2	x
58	19798	Bolt, 1/2" - 13 x 2-3/4", grade 8	x
59	19590	Bolt, 5/8" - 11 x 1-1/2", grade 5	x
60	19591	Bolt, 5/8" - 11 x 6-1/2", grade 5	x
61	19981	Bolt, 7/16" - 14 x 1-3/4", grade 5	x
62	19594	Washer-locknut, 1/4" - 20	x
63	19596	Washer-locknut, 3/8" - 16	x
64	19598	Locknut, 7/16" - 14	x
65	18029	Spout, less half band	1
66	17179	3/8" Plug	1
67	19599	Locknut, 1/2" - 13	x
68	19600	Locknut, 5/8" - 11	x
69	19601	Locknut, 3/4" - 10	x
70	19274	Selftapping screw, #14 x 5/8", w/washerhead	x
71	19606	Square key, 1/4" x 1-1/2"	x
72	19225	Set screw, 3/8" - 16 x 3/8"	x
73	19941	Lower driveshaft, 6' 2-1/4" long	1
74	19801	Tube half band	1
75	17383	Grip clip	1
76	17181	Clevis pin	1
--	19726	Basic carton	1

# WR100 - 51' Basic Auger



J24

July-08

July-08

REF. NO.	PART NO.	PARTS DESCRIPTION	NO. REQ'D
1	17209	Upper tube section w/driveshaft, housing, track	1
1A	17210	Upper tube bundle, as shipped	1
2	17215	Lower tube section, w/driveshaft	1
2A	17216	Lower tube bundle, as shipped	1
3	19753	Upper flight section	1
4	19756	Lower flight section	1
4A	19760	30" Weld-on crimped intake flight	2
4B	17535	Slip on intake flight (1998 & later)	1
5	19763	Short upper driveshaft, 48" long	1
6	19771	Chain flex connector	1
7	19766	Upper driveshaft 21' 1" long	1
8	19953	Lower driveshaft, 9' 9" long	1
9	19770	Driveshaft connector, 1-1/4" bore	2
10	18693	1-1/4" Split hardwood bearing, set of 2 halves	11
10A	18695	1-1/4" Bearing flange, single, 2 bolt	22
11	18762	Angle track stop	1
12	17182	Track washer, 7/16"	2
13	17203	Roller track shoe	1
14	18824	1/4" Cable, 49' long	1
15	19147	1/4" Cable clamp	2
16	19569	Winch, 15:1 ratio	1
17	19254	Driveshaft shield, 42" long	1
18	19255	Driveshaft shield, 48" long	11
19	19256	Shield tie-down strap	13
20	19773	Upper shield attach bracket	1
21	19774	Intake hitch w/shield, bushing, grease fitting	1
22	17180	Clevis, less pin	1
23	19776	1-1/4" Bushing	1
24	19222	Press-in grease fitting	1
25	19324	Truss support bracket	1
26	17166	5/16" Truss cable, 61' 6" long	1
27	19331	Eye bolt w/nut	2
28	18031	Truss attach angle	1
29	18029	Spout, less half band	1
30	17208	Upper drive housing	1
31	19567	1-1/4" Bearing, w/4 bolt flange	2
31A	18852	1-1/4" Bearing, less flange	2
32	19779	Upper sprocket, 18 tooth	1
33	19780	Lower sprocket, 21 tooth	1
34	19781	Roller chain w/connector	1
35	19323	Roller chain connector only	1
36	17160	Housing cover	1
37	18090	Axle w/spindles, nuts, cotter pins	1
38	19263	Spindle, weld-on	2
39	19789	Lower reach tube, left	1
40	19790	Lower reach tube, right	1

J25

REF. NO.	PART NO.	PARTS DESCRIPTION	NO. REQ'D
41	19791	Lower reach frame bundle, as shipped, incl. ref. no. 44	1
42	19376	Cross member	1
43	18914	Short cross member, 2 bolt	1
44	19796	Single cross brace	2
45	19792	Upper lift tube, left or right, single	2
46	19793	Upper lift bundle, as shipped, includes ref. no. 42	1
47	19264	Seal	2
48	19265	Large bearing, Timken #LM 67048	2
49	19266	Large cup, Timken #LM 67010	2
50	19267	Hub w/cups	2
51	19268	Small cup, Timken #LM 11910	2
52	19269	Small bearing, Timken #LM 11949	2
53	19270	Slotted nut, 3/4" - 16	2
54	19272	Dust cap	2
55	19271	Cotter pin, 1/8" x 1-1/2"	2
56	19273	Wheel bolt, 1/2" - 20 x 1"	8
57	19261	15" Wheel, 4 bolt	2
58	19467	Hub assembly, complete	2
59	19988	Bolt, 1/4" - 20 x 1", grade 2	x
60	19540	Bolt, 3/8" - 16 x 3/4", grade 2	x
61	19542	Bolt, 7/16" - 14 x 1", grade 5	x
62	19981	Bolt, 7/16" - 14 x 1-3/4", grade 5	x
63	19588	Bolt, 1/2" - 13 x 1-1/4", grade 5	x
64	19589	Bolt, 1/2" - 13 x 1-1/2", grade 2	x
65	19798	Bolt, 1/2" - 13 x 2-3/4", grade 8	x
66	19592	Bolt, 3/4" - 10 x 2", grade 5	x
67	19593	Bolt, 3/4" - 10 x 6-1/2", grade 5	x
68	19594	Washer-locknut, 1/4" - 20	x
69	19596	Washer-locknut, 3/8" - 16	x
70	19598	Locknut, 7/16" - 14	x
71	17383	Grip clip	1
72	17181	Clevis pin	1
73	19599	Locknut, 1/2" - 13	x
74	19601	Locknut, 3/4" - 10	x
75	19274	Selftapping screw, #14 x 5/8", w/washerhead	x
76	19606	Square key, 1/4" x 1-1/2"	x
77	19225	Set screw, 3/8" - 16 x 3/8"	x
78	19942	Lower driveshaft, 11' 8" section	1
79	19801	Tube half band	1
80	19333	5/16" Cable clamp	5
81	17179	3/8" Plug	1
82	18908	Stabilizer brace, single	2
83	18909	Stabilizer bracket, single	2
--	17217	WR100 x 51 - 71 Basic #1 carton	1
--	17218	WR100 x 51 Basic #2 carton	1

WR100 - 51' Basic Auger







July-08

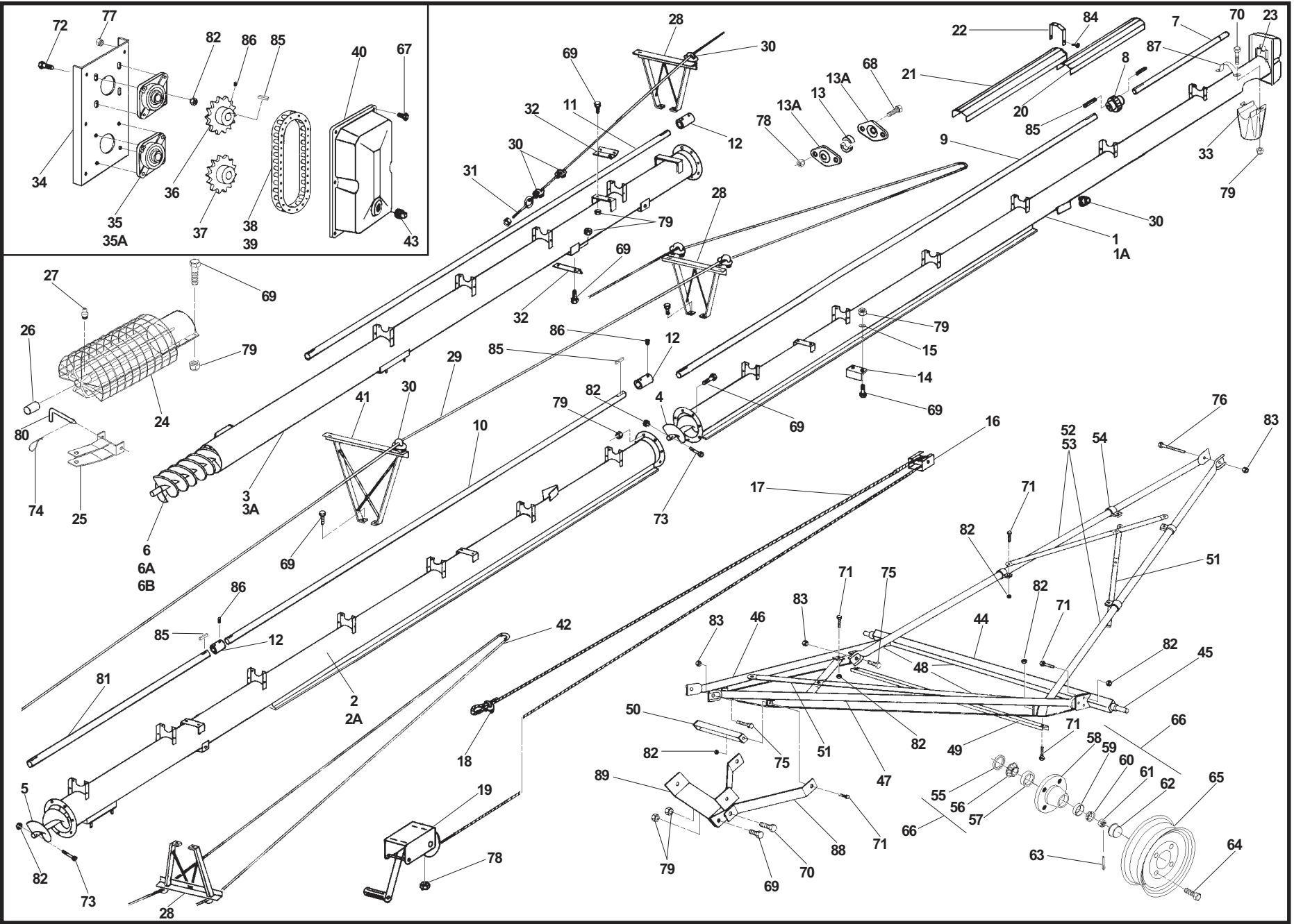
REF. NO.	PART NO.	PARTS DESCRIPTION	NO. REQ'D
1	17209	Upper tube section w/driveshaft, housing, track	1
1A	17210	Upper tube bundle, as shipped	1
2	17211	Center tube section, w/driveshaft	1
2A	17212	Center tube bundle, as shipped	1
3	19749	Lower tube section	1
3A	19750	Lower tube bundle, as shipped	1
4	19753	Upper flight section	1
5	19757	Center flight section	1
6	19758	Lower flight section	1
6A	19760	30" Weld-on crimped intake flight	2
6B	17535	Slip on intake flight (1998 & later)	1
7	19763	Short upper driveshaft, 48" long	1
8	19771	Chain flex connector	1
9	19766	Upper driveshaft, 21' 1" long	1
10	19943	Center driveshaft, 18' 9" long	1
11	19768	Driveshaft, 6' 4" long, lower & center	2
12	19770	Driveshaft connector, 1- 1/4" bore	3
13	18693	1-1/4" split hardwood bearing, set of 2 halves	14
13A	18695	1-1/4" bearing flange, single, 2 bolt	28
14	18762	Angle track stop	2
15	17182	Track washer, 7/16"	2
16	17203	Roller track shoe	1
17	19252	1/4" Cable, 65' 6" long	1
18	19147	1/4" Cable clamp	2
19	19569	Winch, 15:1 ratio	1
20	19254	Driveshaft shield, 42" long	3
21	19255	Driveshaft shield, 48" long	12
22	19256	Shield tie-down strap	16
23	19773	Upper shield attach bracket	1
24	19774	Intake hitch w/shield, bushing, grease fitting	1
25	17180	Clevis, less pin	1
26	19776	1-1/4" Bushing	1
27	19222	Press-in grease fitting	1
28	19324	Truss support bracket	2
29	17165	5/16" Truss cable, 77' 6" long	1
30	19333	5/16" Cable clamp	7
31	19331	Eye bolt w/nut	2
32	19332	Truss attach angle	1
33	18029	Spout, less half band	1
34	17208	Upper drive housing	1
35	19567	1-1/4" Bearing, w/4 bolt flange	2
35A	18852	1-1/4" Bearing, less flange	2
36	19779	Upper sprocket, 18 tooth	1
37	19780	Lower sprocket, 21 tooth	1
38	19781	Roller chain w/connector	1
39	19323	Roller chain connector only	1
40	17160	Housing cover	1
41	19342	Axle w/spindles, nuts, cotter pins	1

J27

REF. NO.	PART NO.	PARTS DESCRIPTION	NO. REQ'D
42	19263	Spindle, weld-on	2
43	19358	Lower reach tube, left	1
44	19359	Lower reach tube, right	1
45	19369	Lower reach frame bundle, as shipped, incl. #48	1
46	19378	Cross member	1
47	18914	2 Bolt cross member	1
48	19796	Single cross brace	4
49	19524	Upper lift tube, left or right, single	2
50	19534	Upper lift bundle, as shipped, includes Ref. #46	1
51	19797	Tube clamp	4
52	19264	Seal	2
53	19265	Large bearing, Timken#LM67048	2
54	19266	Large cup, Timken#LM67010	2
55	19267	Hub w/cups	2
56	19268	Small cup, Timken#LM11910	2
57	19269	Small bearing, Timken#LM11949	2
58	19270	Slotted nut, 3/4" - 16	2
59	19272	Dust cap	2
60	19271	1/8" x 1-1/2" Cotter pin	2
61	19273	Wheel bolt, 1/2" - 20 x 1"	8
62	19261	15" Wheel, 4 bolt	2
63	19467	Hub assembly, complete	2
64	19988	Bolt, 1/4" - 20 x 1", grade 2	x
65	19540	Bolt, 3/8" - 16 x 3/4", grade 2	x
66	19542	Bolt, 7/16" - 14 x 1", grade 5	x
67	19981	Bolt, 7/16" - 14 x 1-3/4", grade 5	x
68	19588	Bolt, 1/2" - 13 x 1-1/4", grade 5	x
69	19589	Bolt, 1/2" - 13 x 1-1/2", grade 2	x
70	19798	Bolt, 1/2" - 13 x 2-3/4", grade 8	x
71	17179	3/8" Plug	1
72	19592	Bolt, 3/4" - 10 x 2", grade 5	x
73	19593	Bolt, 3/4" - 10 x 6-1/2", grade 5	x
74	19594	Washer-locknut, 1/4" - 20	x
75	19596	Washer-locknut, 3/8" - 16	x
76	19598	Locknut, 7/16" - 14	x
77	17383	Grip clip	1
78	17181	Clevis pin	1
79	19599	Locknut, 1/2" - 13	x
80	19601	Locknut, 3/4" - 10	x
81	19274	Selftapping screw, #14 x 5/8", w/washerhead	x
82	19606	Square key, 1/4" x 1-1/2"	x
83	19225	Set screw, 3/8" - 16 x 3/8"	x
84	19801	Tube halfband	1
85	18916	Stabilizer brace, single	2
86	18909	Stabilizer bracket, single	2
--	17217	WR100 x 51 - 71 Basic #1 carton	1
--	17219	WR100 x 61 Basic #2 carton	1

WR100 - 61' Basic Auger

# WR100 - 71' Basic Auger



July-08

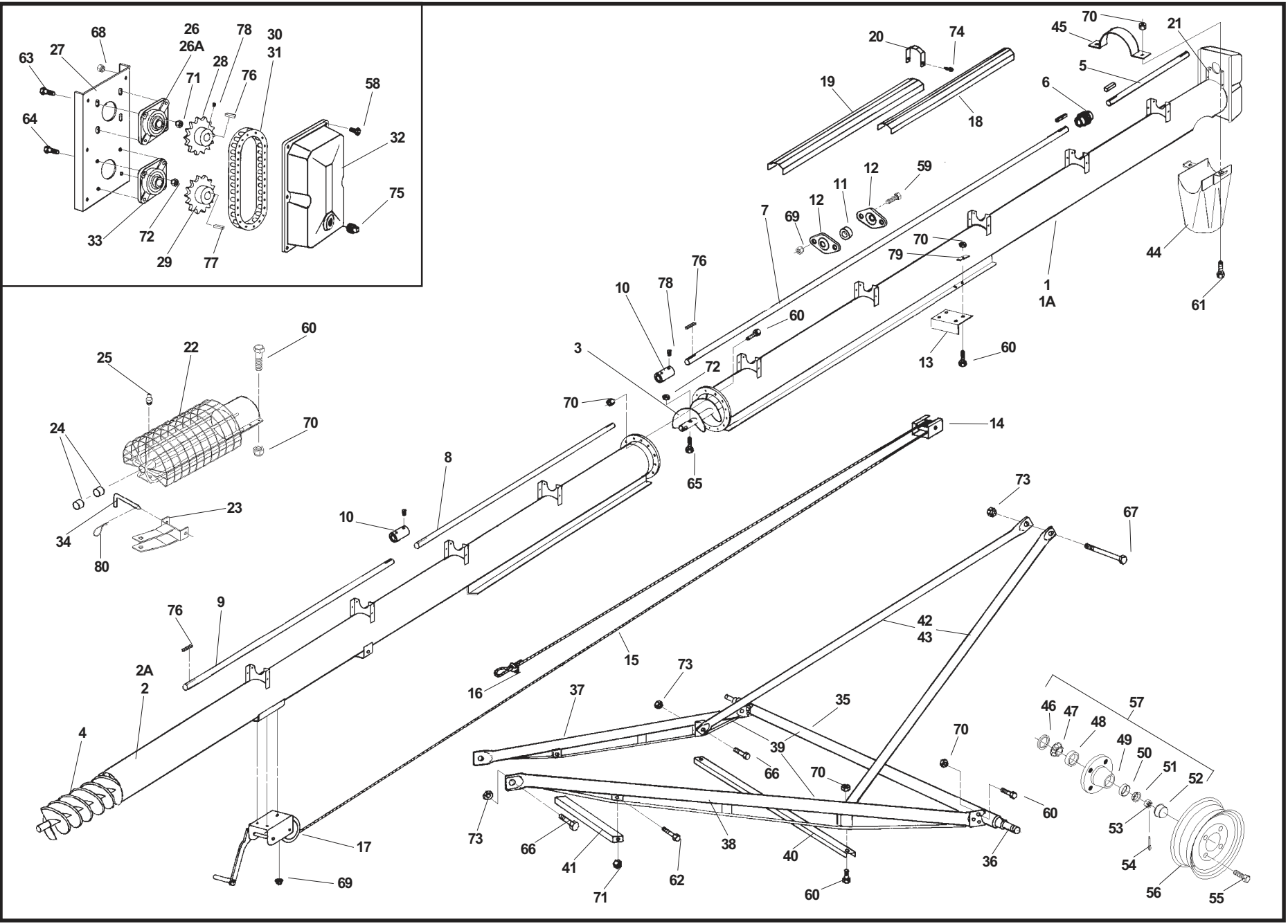
REF. NO.	PART NO.	PARTS DESCRIPTION	NO. REQ'D
1	17209	Upper tube section w/driveshaft, housing, track	1
1A	17210	Upper tube bundle, as shipped	1
2	17211	Center tube section w/driveshaft	1
2A	17212	Center tube bundle, as shipped	1
3	17223	Lower tube section with driveshaft	1
3A	17224	Lower tube bundle, as shipped	1
4	19753	Upper flight section	1
5	19757	Center flight section	1
6	19759	Lower flight section	1
6A	19760	30" Weld-on crimped intake flight	2
6B	17535	Slip on intake flight (1998 & later)	1
7	19763	Short upper driveshaft, 48" long	1
8	19771	Chain flex connector	1
9	19766	Upper driveshaft, 21' 1" long	1
10	19943	Center driveshaft, 18' 9" long	1
11	19769	Lower driveshaft, 16' 4" long	1
12	19770	Driveshaft connector, 1-1/4" bore	3
13	18693	1-1/4" split hardwood bearing, set of 2 halves	17
13A	18695	1-1/4" bearing flange, single, 2 bolt	34
14	18762	Angle track stop	1
15	17182	Track washer, 7/16"	2
16	17203	Roller track shoe	1
17	19253	1/4" Cable, 74' long	1
18	19147	1/4" Cable clamp	2
19	19569	Winch, 15:1 ratio	1
20	19254	Driveshaft shield, 42" long	6
21	19255	Driveshaft shield, 48" long	12
22	19256	Shield tie-down strap	19
23	19773	Upper shield attach bracket	1
24	19774	Intake hitch w/shield, bushing, grease fitting	1
25	17180	Clevis, less pin	1
26	19776	1-1/4" Bushing	1
27	19222	Press-in grease fitting	1
28	19324	Truss support bracket, low	3
29	18855	5/16" Truss cable, 98' long	1
30	19333	5/16" Cable clamp	14
31	19331	Eye bolt w/nut	4
32	19332	Truss attach angle	2
33	18029	Spout, less half band	1
34	17208	Upper drive housing	1
35	19567	1-1/4" Bearing, w/4 bolt flange	2
35A	18852	1-1/4" Bearing, less flange	2
36	19779	Upper sprocket, 18 tooth	1
37	19780	Lower sprocket, 21 tooth	1
38	19781	Roller chain w/connector	1
39	19323	Roller chain connector only	1
40	17160	Housing cover	1
41	19325	Truss support bracket, high	1
42	17042	5/16" Truss cable, 52' long	1
43	17179	3/8" Plug	1
44	19343	Axle w/spindle, nuts, cotter pins	1

J29

REF. NO.	PART NO.	PARTS DESCRIPTION	NO. REQ'D
45	19263	Spindle, weld-on	2
46	19360	Lower reach tube, left	1
47	19361	Lower reach tube, right	1
48	19370	Lower reach frame bundle as shipped, incl. #51	1
49	19379	Cross member	1
50	18914	Short cross member 2 bolt	1
51	19796	Single cross brace	4
52	19525	Upper lift tube, left or right, single	2
53	19535	Upper lift bundle, as shipped, includes Ref. #49	1
54	19797	Tube clamp, less bolt	4
55	19264	Seal	2
56	19265	Large bearing, Timken #LM 67048	2
57	19266	Large cup, Timken #LM 67010	2
58	19267	Hub w/cups	2
59	19268	Small cup, Timken #LM 11910	2
60	19269	Small bearing, Timken #LM 11949	2
61	19270	Slotted nut, 3/4" - 16	2
62	19272	Dust cap	2
63	19271	1/8" x 1/2" Cotter pin	2
64	19273	Wheel bolt, 1/2" - 20	8
65	19261	15" Wheel, 4 bolt	2
66	19467	Hub assembly, complete	2
67	19988	Bolt, 1/4" - 20 x 1", grade 2	x
68	19540	Bolt, 3/8" - 16 x 3/4", grade 2	x
69	19542	Bolt, 7/16" - 14 x 1", grade 5	x
70	19981	Bolt, 7/16" - 14 x 1-3/4", grade 5	x
71	19588	Bolt, 1/2" - 13 x 1-1/4", grade 5	x
72	19589	Bolt, 1/2" - 13 x 1-1/2", grade 2	x
73	19798	Bolt, 1/2" - 13 x 2-3/4", grade 8	x
74	17383	Gripclip	1
75	19592	Bolt, 3/4" - 10 x 2", grade 5	x
76	19593	Bolt, 3/4" - 10 x 6-1/2", grade 5	x
77	19594	Washer-locknut, 1/4" - 20	x
78	19596	Washer-locknut, 3/8" - 16	x
79	19598	Locknut, 7/16" - 14	x
80	17181	Clevis pin	1
81	19768	Center driveshaft, 6' 4" long	1
82	19599	Locknut, 1/2" - 13	x
83	19601	Locknut, 3/4" - 10	x
84	19274	Selftapping screw, #14 x 5/8", w/washerhead	x
85	19606	Square key, 1/4" x 1-1/2"	x
86	19225	Set screw, 3/8" - 16 x 3/8"	x
87	19801	Tube halfband	1
88	18915	Stabilizer brace, single	2
89	18909	Stabilizer bracket, single	2
--	17217	WR100 x 51 - 71 Basic #1 carton	1
--	17220	WR100 - 71 Basic #2 carton	1

WR100 - 71' Basic Auger

# W130 - 41' Basic Auger



J30

July-08

July-08

REF. NO.	PART NO.	PARTS DESCRIPTION	NO. REQ'D
1	17263	Upper tube section w/driveshaft, housing, track	1
1A	17264	Upper tube bundle, as shipped	1
2	17265	Lower tube section with driveshaft	1
2A	17266	Lower tube bundle, as shipped	1
3	17267	Upper flight section	1
4	17268	Lower flight section	1
5	19763	Short upper driveshaft, 48" long	1
6	19771	Chain flex connector	1
7	19769	Upper driveshaft, 16' 4" long	1
8	19768	Lower driveshaft, 6' 4" long	1
9	19953	Lower driveshaft, 9' 9" long	1
10	19770	Driveshaft connector, 1-1/4" bore	1
11	18693	1-1/4" split hardwood bearing	9
12	18695	1-1/4" bearing flange, single, 2 bolt	18
13	18762	Angle track stop	1
14	17203	Roller track shoe	1
15	18823	1/4" Cable, 38' long	1
16	19147	1/4" Cable clamp	3
17	19569	Winch, 15:1 ratio	1
18	19254	Driveshaft shield, 42" long	x
19	19255	Driveshaft shield, 48" long	x
20	19256	Shield tie-down strap	x
21	19773	Upper shield attach bracket	1
22	17269	Intake hitch w/shield, bushing, grease fitting	1
23	17270	Clevis, less pin	1
24	18944	1-3/4" Bushing	2
25	19222	Press-in grease fitting	1
26	19567	1-1/4" Bearing, w/4 bolt flange	1
26A	18852	1-1/4" Bearing, less flange	1
27	17271	Upper drive housing	1
28	19779	Upper sprocket, 80 B18 x 1-1/4"	1
29	17169	Lower sprocket, 80 B21 x 1-3/4"	1
30	17272	Roller chain w/connector	1
31	19323	Roller chain connector only	1
32	17273	Housing cover	1
33	18518	1-3/4" Bearing w/4 bolt flange	1
34	17251	Clevis pin	1
35	19340	Axle w/spindles, nuts, cotter pins	1
36	19263	Spindle, weld-on	2
37	17275	Lower reach tube, left	1
38	17276	Lower reach tube, right	1
39	17277	Lower reach frame bundle, as shipped	1

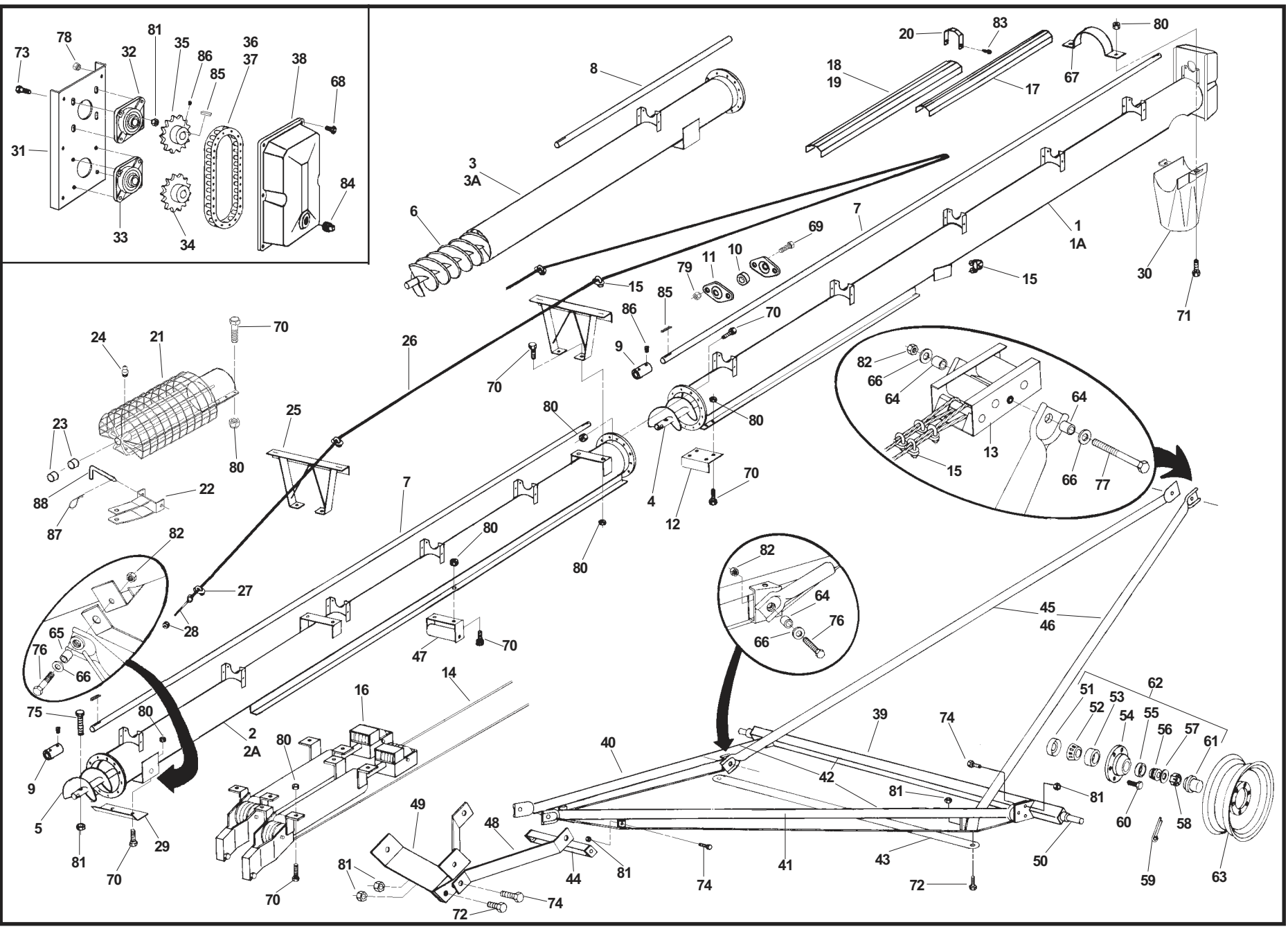
REF. NO.	PART NO.	PARTS DESCRIPTION	NO. REQ'D
40	19376	Cross member	1
41	17279	Short cross member	1
42	17280	Upper lift tube, left or right, single	2
43	17281	Upper lift bundle, as shipped, includes Ref. #40	1
44	18986	Spout, less halfband	1
45	18987	Tube halfband	1
46	19264	Seal	2
47	19265	Large bearing, Timken #LM 67048	2
48	19266	Large cup, Timken #LM 67010	2
49	19267	Hub w/cups	2
50	19268	Small cup, Timken #LM 11910	2
51	19269	Small bearing, Timken #LM 11949	2
52	19272	Dust cap	2
53	19270	Slotted nut, 3/4" - 16	2
54	19271	Cotter pin, 1/8" x 1-1/2"	2
55	19273	Wheel bolt, 1/2" - 20 x 1"	8
56	19261	15" Wheel bolt, 4 bolt	2
57	19467	Hub assembly, complete	2
58	19538	Bolt, 5/16" - 18 x 3/4", grade 2	x
59	19540	Bolt, 3/8" - 16 x 3/4", grade 2	x
60	18698	Bolt, 7/16" - 14 x 1-1/4", grade 5	x
61	19981	Bolt, 7/16" - 14 x 1-3/4", grade 5	x
62	19588	Bolt, 1/2" - 13 x 1-1/4", grade 5	x
63	19589	Bolt, 1/2" - 13 x 1-1/2", grade 2	x
64	18544	Bolt, 5/8" - 11 x 1-3/4", grade 5	x
65	18545	Bolt, 5/8" - 11 x 4-1/2", grade 8	x
66	19592	Bolt, 3/4" - 10 x 2", grade 5	x
67	19593	Bolt, 3/4" - 10 x 6-1/2", grade 5	x
68	19595	Washer-locknut, 5/16" - 18	x
69	19596	Washer-locknut, 3/8" - 16	x
70	19598	Locknut, 7/16" - 14	x
71	19599	Locknut, 1/2" - 13	x
72	19600	Locknut, 5/8" - 11	x
73	19601	Locknut, 3/4" - 10	x
74	19274	Selftapping screw, #14 x 5/8", w/washerhead	x
75	17179	3/8" Plug	1
76	19606	Square key, 1/4" x 1-1/2"	x
77	17066	Square key, 3/8" x 1-3/4"	x
78	19225	Set screw, 3/8" - 16 x 3/8"	x
79	18917	Track stop washer	2
80	17383	Grip clip	1

J31

W130 - 41' Basic Auger



# W130 - 51' Basic Auger



J32

July-08

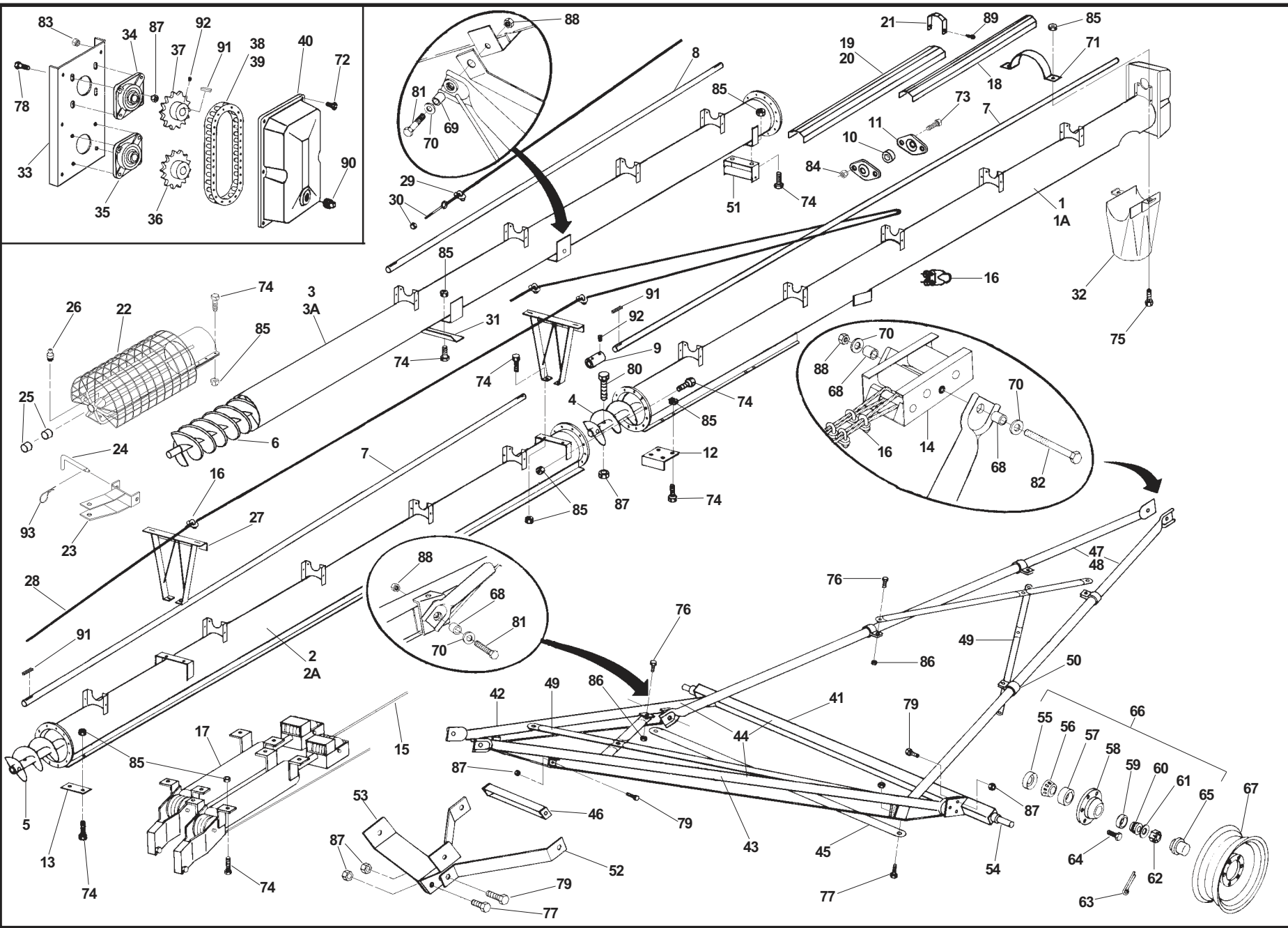
July-08

REF. NO.	PART NO.	PARTS DESCRIPTION	NO. REQ'D	REF. NO.	PART NO.	PARTS DESCRIPTION	NO. REQ'D
1	17282	Upper tube section w/driveshaft, housing, track	1	44	18999	Short cross member	1
1A	17283	Upper tube bundle, as shipped	1	45	17303	Upper lift tube, left or right, single	2
2	17284	Middle tube section	1	46	17304	Upper lift bundle, as shipped, incl. Ref. #43	1
2A	17285	Middle tube bundle, as shipped	1	47	17024	Cable roller	1
3	17286	Lower tube section	1	48	17000	Stabilizer brace, single	2
3A	17287	Lower tube bundle, as shipped	1	49	27546	Stabilizer bracket, single	2
4	17267	Upper flight	1	50	17004	Spindle, weld-on	2
5	18984	Middle flight	1	51	17006	Seal	2
6	17288	Lower flight	1	52	17007	Large bearing, Timken #LM29749	2
7	17289	Upper & middle driveshaft, 20' long	2	53	17008	Large cup, Timken #LM29710	2
8	17290	Lower driveshaft, 6' 3-1/4" long	1	54	17009	Hub w/cups	2
9	17274	Driveshaft connector, 1-1/2" bore	2	55	19266	Small cup, Timken #LM67010	2
10	17124	1-1/2" Hardwood bearing	11	56	19265	Small bearing, Timken #LM67048	2
11	18695	1-1/2" Bearing flange, single, 2 bolt	22	57	17010	Washer	2
12	17017	Angle track stop	1	58	17011	Slotted nut, 1"	2
13	17005	Roller track shoe	1	59	19271	Cotter pin, 1/8" x 1-1/2"	2
14	18042	5/16" Lift cable	2	60	19273	Wheel bolt, 1/2" - 20 x 1-1/4"	12
15	19333	5/16" Cable clamp	11	61	17012	Dust cap	2
16	18033	Hydraulic cylinder w/cable and pulleys	2	62	17013	Hub assembly, complete	2
17	19254	Driveshaft shield, 42" long	2	63	17014	15" Wheel, 6 bolt	2
18	19255	Driveshaft shield, 48" long	9	64	17021	Short spacer bushing	4
19	18829	Driveshaft shield, 60" long	1	65	17022	Long spacer bushing	2
20	19256	Shield tie down strap	13	66	17020	Flatwasher, 1"	6
21	17269	Intake hitch w/shield, bushing, grease fitting	1	67	18987	Tube halfband	1
22	17270	Clevis less pin	1	68	19538	Bolt, 5/16" - 18 x 3/4", grade 2	x
23	18944	1-3/4" Bushing	2	69	19540	Bolt, 3/8" - 16 x 3/4", grade 2	x
24	19222	Press in grease fitting	1	70	18698	Bolt, 7/16" - 14 x 1-1/4", grade 5	x
25	18988	Truss support bracket	2	71	19981	Bolt, 7/16" - 14 x 1-3/4", grade 5	x
26	17278	3/8" Truss cable, 65' long	1	72	19590	Bolt, 5/8" - 11 x 1-1/2", grade 5	x
27	18990	3/8" Cable clamp	2	73	18544	Bolt, 5/8" - 11 x 1-3/4", grade 5	x
28	19331	Eye bolt w/nut	2	74	19991	Bolt, 5/8" - 11 x 2", grade 5	x
29	18989	Truss attach angle	1	75	18545	Bolt, 5/8" - 11 x 4-1/2", grade 8	x
30	18986	Spout, less half band	1	76	17016	Bolt, 1" - 8 x 3-1/2", grade 8	x
31	17291	Upper drive housing	1	77	17015	Bolt, 1" - 8 x 10", grade 8	x
32	17292	1-1/2" Bearing, w/4 bolt flange	1	78	19595	Washer-locknut, 5/16" - 18	x
33	18518	1-3/4" Bearing, w/4 bolt flange	1	79	19596	Washer-locknut, 3/8" - 16	x
34	17294	Lower sprocket, 21 tooth	1	80	19598	Locknut, 7/16" - 14	x
35	17293	Upper sprocket, 18 tooth	1	81	19600	Locknut, 5/8" - 11	x
36	17295	Roller chain w/connector	1	82	17019	Locknut, 1" - 8	x
37	17296	Roller chain connector only	1	83	19274	Selftapping screw, #14 x 5/8", w/washerhead	x
38	17297	Housing cover	1	84	17179	3/8" plug	x
39	17298	Axle w/spindles, nuts, cotter pins	1	85	17066	Square key, 3/8" x 1-3/4"	x
40	17299	Lower reach tube, left	1	86	19225	Set screw, 3/8" - 16 x 3/8"	x
41	17300	Lower reach tube, right	1	87	17383	Grip clip	x
42	17301	Lower reach frame bundle, as shipped	1	88	17251	Clevis pin	x
43	17302	Cross member	1				

W130 - 51 Basic Auger

J33

# W130 - 61' Basic Auger



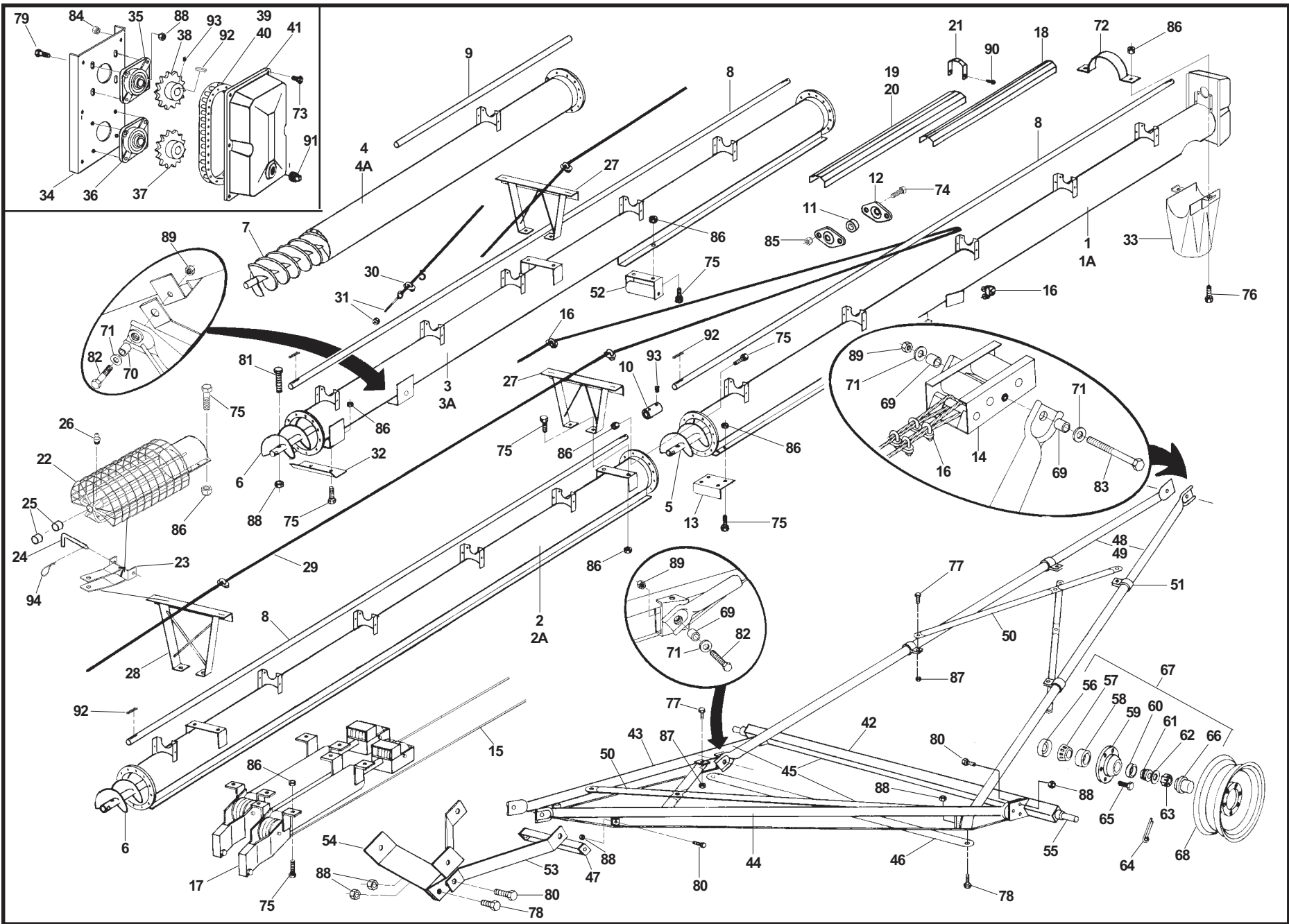
J34

July-08

REF. NO.	PART NO.	PARTS DESCRIPTION	NO. REQD
1	17282	Upper tube section w/driveshaft, housing, track	1
1A	17283	Upper tube bundle, as shipped	1
2	17305	Middle tube section	1
2A	17306	Middle tube bundle, as shipped	1
3	17307	Lower tube section	1
3A	17308	Lower tube bundle, as shipped	1
4	17267	Upper flight	1
5	18984	Middle flight	1
6	17268	Lower flight	1
7	17289	Upper & middle driveshaft, 20' long	2
8	17309	Lower driveshaft, 16' 3-1/4"	1
9	17274	Driveshaft connector, 1-1/2" bore	2
10	17124	1-1/2" Hardwood bearing	14
11	18695	1-1/2" Bearing flange, single, 2 bolt	28
12	17017	Angle track stop, upper	1
13	17003	Flat track stop, lower	1
14	17005	Roller track shoe	1
15	18043	5/16" Lift cable	2
16	19333	5/16" Cable clamp	11
17	18034	Hydraulic cylinder w/cable & pulleys	2
18	19254	Driveshaft shield, 42" long	5
19	19255	Driveshaft shield, 48" long	9
20	18829	Driveshaft shield, 60" long	1
21	19256	Shield tie down strap	16
22	17269	Intake hitch w/shield, bushing, grease fitting	1
23	17270	Clevis, less pin	1
24	17251	Clevis pin	1
25	18944	1-3/4" Bushing	2
26	19222	Press-in grease fitting	1
27	18988	Truss support bracket	2
28	17018	3/8" Truss cable, 82' 6" long	1
29	18990	3/8" Cable clamp	2
30	19331	Eye bolt w/nut	2
31	18989	Truss attach angle	1
32	18986	Spout, less halfband	1
33	17291	Upper drive housing	1
34	17292	1-1/2" Bearing, w/4 bolt flange	1
35	18518	1-3/4" Bearing, w/4 bolt flange	1
36	17294	Lower sprocket, 21 tooth	1
37	17293	Upper sprocket, 18 tooth	1
38	17295	Roller chain w/connector	1
39	17296	Roller chain connector only	1
40	17297	Housing cover	1
41	18997	Axle w/spindles, nuts, cotter pins	1
42	18994	Lower reach tube, left	1
43	18995	Lower reach tube, right	1
44	18996	Lower reach frame bundle, as shipped	1
45	18998	Cross member	1

REF. NO.	PART NO.	PARTS DESCRIPTION	NO. REQD
46	18999	Short cross member	1
47	18991	Upper lift tube, left or right, single	2
48	18992	Upper lift bundle, as shipped, includes Ref. #45	1
49	17002	Cross brace	4
50	18993	Brace clamp	4
51	17024	Cable roller	1
52	17000	Stabilizer brace, single	2
53	27546	Stabilizer bracket, single	2
54	17004	Weld-on spindle	2
55	17006	Seal	2
56	17007	Large bearing, Timken #LM29749	2
57	17008	Large cup, Timken #LM29710	2
58	17009	Hub w/cups	2
59	19266	Small cup, Timken #LM67010	2
60	19265	Small bearing, Timken #LM67048	2
61	17010	Washer	2
62	17011	Slotted nut, 1"	2
63	19271	Cotter pin, 1/8" x 1-1/2"	2
64	19273	Wheel bolt, 1/2" - 20 x 1-1/4"	12
65	17012	Dust cap	2
66	17013	Hub assembly complete	2
67	17014	15" Wheel, 6 bolt	2
68	17021	Short spacer bushing	4
69	17022	Long spacer bushing	2
70	17020	Flat washer	6
71	18987	Tube halfband	1
72	19538	Bolt, 5/16" - 18 x 3/4", grade 2	x
73	19540	Bolt, 3/8" - 16 x 3/4", grade 2	x
74	18698	Bolt, 7/16" - 14 x 1-1/4", grade 5	x
75	19981	Bolt, 7/16" - 14 x 1-3/4", grade 5	x
76	19588	Bolt, 1/2" - 13 x 1-1/4", grade 5	x
77	19590	Bolt, 5/8" - 11 x 1-1/2", grade 5	x
78	18544	Bolt, 5/8" - 11 x 1-3/4", grade 5	x
79	19991	Bolt, 5/8" - 11 x 2", grade 5	x
80	18545	Bolt, 5/8" - 11 x 4-1/2", grade 8	x
81	17016	Bolt, 1" - 8 x 3-1/2", grade 8	x
82	17015	Bolt, 1" - 8 x 10", grade 8	x
83	19595	Washer-locknut, 5/16" - 18	x
84	19596	Washer-locknut, 3/8" - 16	x
85	19598	Locknut, 7/16" - 14	x
86	19599	Locknut, 1/2" - 13	x
87	19600	Locknut, 5/8" - 11	x
88	17019	Locknut, 1" - 8	x
89	19274	Selftapping screw, #14 x 5/8" w/washerhead	x
90	17179	3/8" Plug	1
91	17066	Square key, 3/8" x 1-3/4"	x
92	19225	Set screw, 3/8" - 16 x 3/8"	x
93	17383	Grip clip	x

# W130 - 71' Basic Auger





REF. NO.	PART NO.	PARTS DESCRIPTION	NO. REQ'D	REF. NO.	PART NO.	PARTS DESCRIPTION	NO. REQ'D
1	17282	Upper tube section w/driveshaft, housing, track	1	46	17039	Cross member	1
1A	17283	Upper tube bundle, as shipped	1	47	18999	Short cross member	1
2	17305	Upper middle tube section	1	48	17033	Upper lift tube, left or right	2
2A	17306	Upper middle tube bundle, as shipped	1	49	17034	Upper lift bundle, as shipped, includes Ref. #46	1
3	17310	Lower middle tube section	1	50	17002	Cross brace	4
3A	17311	Lower middle tube bundle, as shipped	1	51	18993	Brace clamp	4
4	17312	Lower tube section	1	52	17024	Cable roller	1
4A	17313	Lower tube bundle, as shipped	1	53	17000	Stabilizer brace, single	2
5	17267	Upper flight	1	54	27546	Stabilizer bracket, single	2
6	18984	Middle flight	2	55	17004	Weld-on spindle	2
7	17288	Lower flight	1	56	17006	Seal	2
8	17289	Upper & middle driveshaft, 20' long	3	57	17007	Large bearing, Timken #LM29749	2
9	17290	Lower driveshaft, 6' 3-1/4" long	1	58	17008	Large cup, Timken #LM29710	2
10	17274	Driveshaft connector, 1-1/2" bore	3	59	17009	Hub w/cups	2
11	17124	1-1/2" Hardwood bearing	16	60	19266	Small cup, Timken #LM67010	2
12	18695	1-1/2" Bearing flange, single, 2 bolt	32	61	19265	Small bearing, Timken #LM67048	2
13	17017	Angle track stop	1	62	17010	Washer	2
14	17005	Roller track shoe	1	63	17011	Slotted nut	2
15	18044	5/16" Lift cable	2	64	19271	Cotter pin, 1/8" x 1-1/2"	2
16	19333	5/16" Cable clamp	13	65	19273	Wheel bolt, 1/2" - 20 x 1-1/4"	12
17	18035	Hydraulic cylinder w/cable & pulleys	2	66	17012	Dust cap	2
18	19254	Driveshaft shield, 42" long	2	67	17013	Hub assembly complete	2
19	19255	Driveshaft shield, 48" long	13	68	17014	15" Wheel, 6 bolt	2
20	18829	Driveshaft shield, 60" long	2	69	17021	Short spacer bushing	4
21	19256	Shield tie down strap	18	70	17022	Long spacer bushing	2
22	17269	Intake hitch w/shield, bushing, grease fitting	1	71	17020	Flat washer	6
23	17270	Clevis, less pin	1	72	18987	Tube halfband	1
24	17251	Clevis pin	1	73	19538	Bolt, 5/16" - 18 x 3/4", grade 2	x
25	18944	1-3/4" Bushing	2	74	19540	Bolt, 3/8" - 16 x 3/4", grade 2	x
26	19222	Press-in grease fitting	1	75	18698	Bolt, 7/16" - 14 x 1-1/4", grade 5	x
27	18988	Truss support bracket, low	2	76	19981	Bolt, 7/16" - 14 x 1-3/4", grade 5	x
28	27534	Truss support bracket, high	1	77	19588	Bolt, 1/2" - 13 x 1-1/4", grade 5	x
29	17032	3/8" Truss cable, 100' long	1	78	19590	Bolt, 5/8" - 11 x 1-1/2", grade 5	x
30	18990	3/8" Cable clamp	2	79	18544	Bolt, 5/8" - 11 x 1-3/4", grade 5	x
31	19331	Eye bolt w/nut	2	80	19991	Bolt, 5/8" - 11 x 2", grade 5	x
32	18989	Truss attach angle	1	81	18545	Bolt, 5/8" - 11 x 4-1/2", grade 8	x
33	18986	Spout, less halfband	1	82	17016	Bolt, 1" - 8 x 3-1/2", grade 8	x
34	17291	Upper drive housing	1	83	17015	Bolt, 1" - 8 x 10", grade 8	x
35	17292	1-1/2" Bearing, w/4 bolt flange	1	84	19595	Washer-locknut, 5/16" - 18	x
36	18518	1-3/4" Bearing, w/4 bolt flange	1	85	19596	Washer-locknut, 3/8" - 16	x
37	17294	Lower sprocket, 21 tooth	1	86	19598	Locknut, 7/16" - 14	x
38	17293	Upper sprocket, 18 tooth	1	87	19599	Locknut, 1/2" - 13	x
39	17295	Roller chain, w/connector	1	88	19600	Locknut, 5/8" - 11	x
40	17296	Roller chain connector only	1	89	17019	Locknut, 1" - 8	x
41	17297	Housing cover	1	90	19274	Selftapping screw, #14 x 5/8" w/washerhead	x
42	17038	Axle, w/spindles, nuts, cotter pins	1	91	17179	3/8" Plug	x
43	17035	Lower reach tube, left	1	92	17066	Square key, 3/8" x 1-3/4"	x
44	17036	Lower reach tube, right	1	93	19225	Set screw, 3/8" - 16 x 3/8"	x
45	17037	Lower reach frame bundle, as shipped	1	94	17383	Grip clip	x