

TRANSPORT AUGER TUBE / UNDERCARRIAGE / DRIVE COMPONENTS

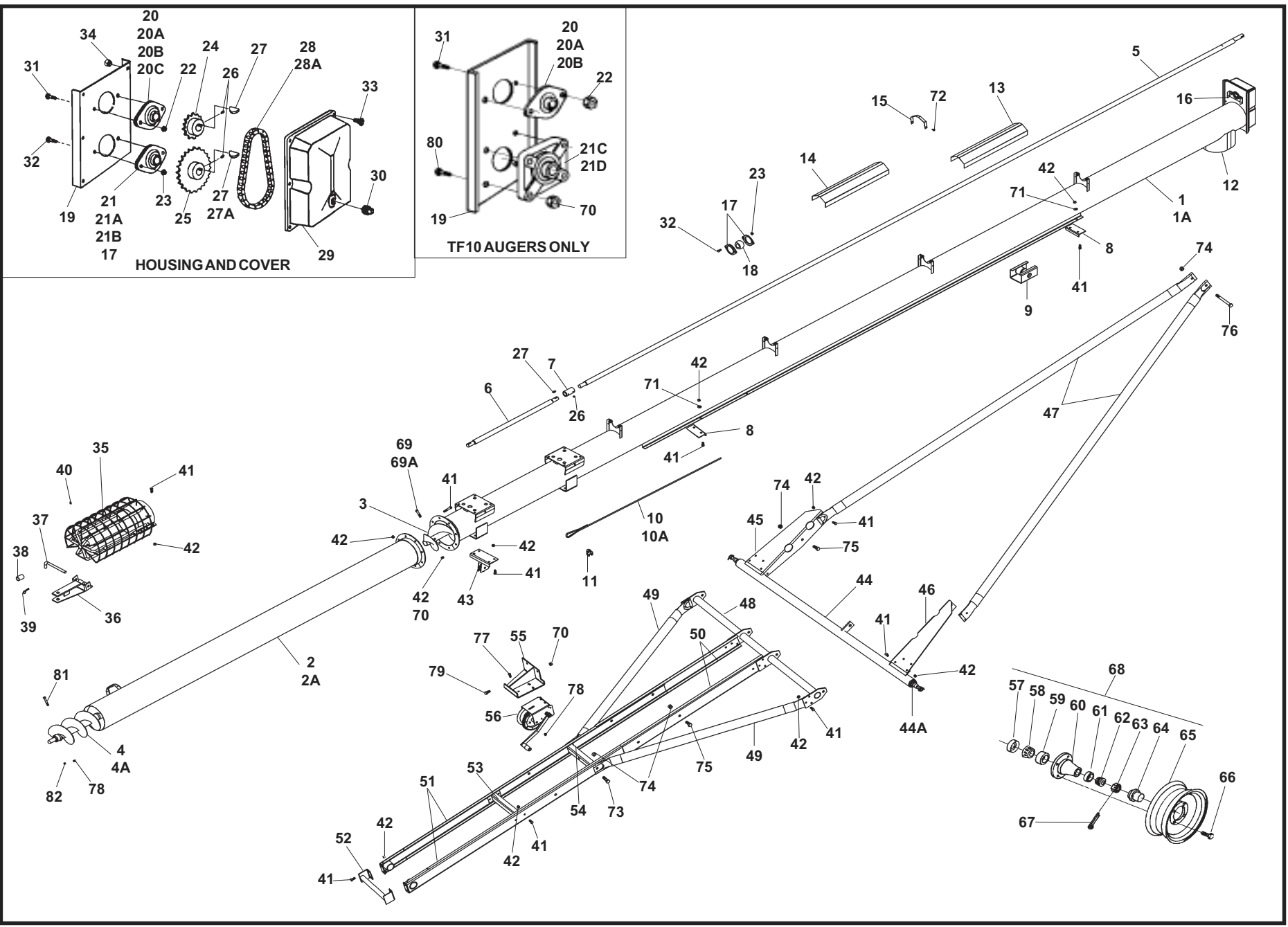
TRANSPORT AUGER
TUBE / UNDERCARRIAGE /
TF WHEEL MOVE

L

Description	Page
TF831, TF836, TF1031, TF1036 Basic Auger	L2-3
TF841, TF1041 Basic Auger	L4-5
TF846, TF851 Basic Auger	L6-7
Drive Components - TF Auger	
Upper Belt Drive / GAS Drive Kit	L8-9
EMD Drive Kit / PTO Drive Kit	L10-11
TF Wheel Move - Frame Components.....	L12
TF Wheel Move - Gear Pump and Gear Drive Components.....	L13
TF Wheel Move - Hydraulic Components.....	L14
A197 - Hydraulic Winch.....	L15
TF Wheel Move - Hydraulic Lines.....	L16
A224 / A225 - Electric Clutch.....	L16

Westfield RED PAINT spray can Part No. 19885
 Westfield YELLOW PAINT spray can Part No. 19886

TF80, TF100-31' & 36' Basic Auger

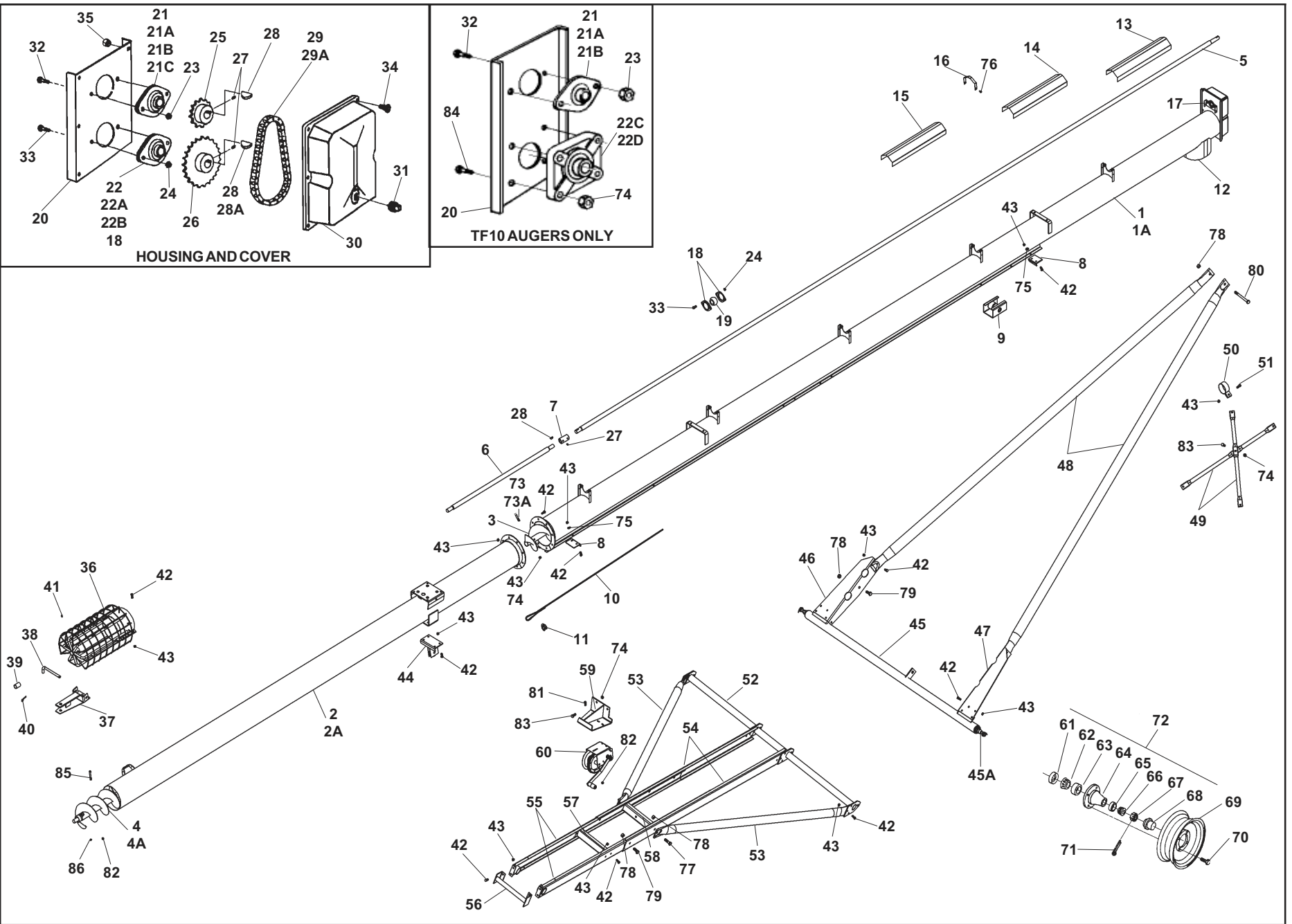


L2

May-07

REF. NO.	PART NO.				PARTS DESCRIPTION	REF. NO.	PART NO.				PARTS DESCRIPTION
	831	836	1031	1036			831	836	1031	1036	
1	27821	27821	27828	27828	Upper tube section w/driveshaft, housing, track	41	19542	19542	19542	19542	Bolt, 7/16" x 1" GR5
1A	27850	27850	27854	27854	Upper tube bundle, as shipped	42	19598	19598	19598	19598	Locknut, 7/16"
2	19390	27822	19735	27829	Lower tube section	43	27862	27862	27862	27862	Cable return
2A	19062	27851	19736	27855	Lower tube bundle, as shipped	44	27848	27848	27848	27848	Axle assembly
3	19402	19402	19753	19753	Upper flight section	44A	19263	19263	19263	19263	Weld-on spindle only
4	19393	19407	19754	19758	Lower flight section (w/ intake flight)	45	27875	27875	27875	27875	Upright baseplate, LH
4A	17534	17534	17535	17535	Slip on intake flight	46	27874	27874	27874	27874	Upright baseplate, RH
5	27903	27903	27903	27903	Driveshaft, upper	47	27880	27879	27880	27879	Upper lift arm
6	---	27904	---	27904	Driveshaft, lower	48	27849	27849	27849	27849	Long crossmember
7	---	19119	---	19119	1" Straight connector	49	27884	27884	27884	27884	Lower frame tube
8	18762	18762	18762	18762	Track stop	50	27883	27883	27883	27883	Lower frame channel
9	18763	18763	18763	18763	Roller track shoe	51	27842	27842	27842	27842	Upper frame channel
10	18823	---	18823	---	1/4" Lift cable, 38' long	52	27846	27846	27846	27846	Upper channel spacer
10A	---	19249	---	19249	1/4" Lift cable, 44' long	53	27843	27843	27843	27843	Top frame cross brace
11	19147	19147	19147	19147	1/4" Cable clamp	54	27844	27844	27844	27844	Winch mount cross brace
12	17156	17156	17225	17225	Weld-on spout	55	27861	27861	27861	27861	Winch mount
13	---	19254	---	19254	42" Driveshaft shield	56	19152	19152	19152	19152	Winch and handle
14	18829	18829	18829	18829	60" Driveshaft shield	57	19264	19264	19264	19264	Seal
15	19256	19256	19256	19256	Shield tie-down strap	58	19265	19265	19265	19265	Large bearing, Timken #LM67048
16	19257	19257	19257	19257	Shield attach bracket	59	19266	19266	19266	19266	Large cup, Timken #LM67010
17	18695	18695	18695	18695	1-1/4" Bearing flange, single	60	19267	19267	19267	19267	Hub w/cups
18	18693	18693	18693	18693	1-1/4" Split hardwood bearing, set of 2 halves	61	19268	19268	19268	19268	Small cup, Timken #LM11910
19	17172	17172	17226	17226	Upper drive housing	62	19269	19269	19269	19269	Small bearing, Timken #LM11949
20	19321	19321	19321	19321	1" Flangette bearing, 2 bolt	63	19270	19270	19270	19270	Slotted nut, 3/4" - 16
20A	18817	18817	18817	18817	1" Bearing, less flange	64	19272	19272	19272	19272	Dust cap
20B	18694	18694	18694	18694	1" Bearing flange, single	65	19261	19261	19261	19261	15" Wheel, 4 bolt
20C	17167	17167	17167	17167	Gasket for 1" flangette bearing	66	19273	19273	19273	19273	Wheel bolt, 1/2" - 20
21	19322	19322	---	---	1-1/4" Bearing flange, 2 bolt	67	19271	19271	19271	19271	Cotter pin, 1/8" x 1-1/2"
21A	18853	18853	---	---	1-1/4" Bearing, less flange	68	19467	19467	19467	19467	Hub assembly, complete
21B	17168	17168	---	---	Gasket for 1-1/4" flangette bearing	69	19545	19545	---	---	Bolt, 7/16" x 2-1/4" GR8
21C	---	---	19567	19567	1-1/4" Pillow block bearing	69A	---	---	19798	19798	Bolt, 1/2" x 2-3/4" GR8
21D	---	---	18852	18852	1-1/4" Pillow block bearing only	70	19599	19599	19599	19599	Locknut, 1/2"
22	19595	19595	19595	19595	Whiznut, 5/16"	71	17182	17182	17182	17182	Track stop washers
23	19596	19596	19596	19596	Whiznut, 3/8"	72	19274	19274	19274	19274	Selt tapping screw, 1/4" - 14 x 5/8"
24	19430	19430	19430	19430	Upper sprocket	73	19991	19991	19991	19991	Bolt, 5/8" x 2" GR8
25	19431	19431	18697	18697	Lower sprocket	74	19600	19600	19600	19600	Locknut, 5/8"
26	19225	19225	19225	19225	Setscrew, 3/8" - 16 x 3/8"	75	19590	19590	19590	19590	Bolt, 5/8 x 1-1/2" GR8
27	19224	19224	19224	19224	Woodruff key, 1/4" x 1"	76	19591	19591	19591	19591	Bolt, 5/8" x 6-1/2" GR8
27A	---	---	19606	19606	1/4" x 1-1/2" SQ key	77	18955	18955	18955	18955	Bolt, 3/8" x 1" GR5
28	19432	19432	18696	18696	Roller chain w/connector	78	17402	17402	17402	17402	Locknut, 3/8"
28A	19433	19433	19433	19433	Roller chain connector only	79	19588	19588	19588	19588	Bolt, 1/2" x 1-1/4" GR5
29	17158	17158	17160	17160	Oil bath housing cover	80	---	---	17746	17746	Bolt, 1/2" x 1-1/2"
30	17179	17179	17179	17179	3/8" Oil bath plug	81	18699	18699	19699	18699	Bolt, 3/8" x 2-1/2"
31	17749	17749	17749	17749	Bolt, 5/16" - 18 x 3/4"	82	17760	17760	17760	17760	Setscrew, 3/8" x 1/2"
32	18184	18184	18184	18184	Bolt, 3/8" - 16 x 3/4"						
33	19988	19988	19988	19988	Bolt, 1/4" x 1" GR2						
34	19594	19594	19594	19594	Whiznut, 1/4"						
35	19398	19398	19774	19774	Intake hitch w/shield, bushing, grease fitting		27922	---	---	---	TF8 x 31 Carton
36	17123	17123	17180	17180	Clevis, less bolt		---	27923	---	---	TF8 x 36 Carton
37	17181	17181	17181	17181	5/8" Clevis pin		---	---	27927	---	TF10 x 31 Carton
38	19149	19149	19776	19776	Bushing		---	---	---	27928	TF10 x 36 Carton
39	17383	17383	17383	17383	Grip clip		27983	---	27983	---	TF0 - 0 - 4 Carton
40	19222	19222	19222	19222	Press-in grease fitting		---	27984	---	27984	TF1 - 0 - 4 Carton

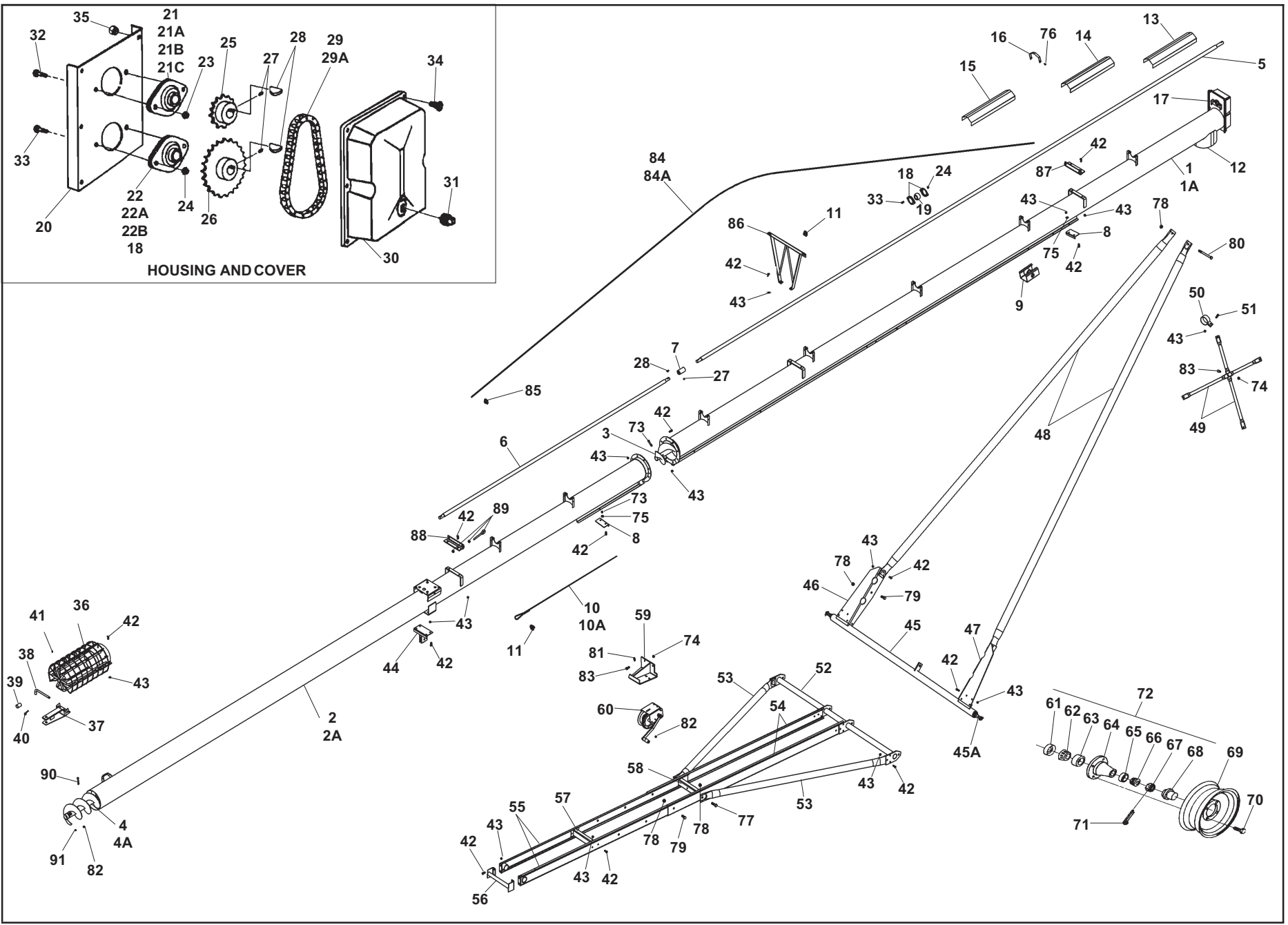
TF80, TF100-41' Basic Auger



REF. NO.	PART NO.		PARTS DESCRIPTION
	841	1041	
1	27824	27831	Upper tube section w/driveshaft, housing, track
1A	27839	27856	Upper tube bundle, as shipped
2	27823	27830	Lower tube section
2A	27852	27857	Lower tube bundle, as shipped
3	19402	19753	Upper flight section
4	19408	19755	Lower flight section (w/ intake flight)
4A	17534	17535	Slip on intake flight
5	18702	18702	Driveshaft, upper
6	27900	27900	Driveshaft, lower
7	19119	19119	1" Straight connector
8	18762	18762	Track stop
9	18763	18763	Roller track shoe
10	18824	18824	1/4" Lift cable, 49' long
11	19147	19147	1/4" Cable clamp
12	17156	17225	Weld-on spout
13	19254	19254	42" Driveshaft shield
14	19255	19255	48" Driveshaft shield
15	18829	18829	60" Driveshaft shield
16	19256	19256	Shield tie-down strap
17	19257	19257	Shield attach bracket
18	18695	18695	1-1/4" Bearing flange, single
19	18693	18693	1-1/4" Split hardwood bearing, set of 2 halves
20	17172	17226	Upper drive housing
21	19321	19321	1" Flangette bearing, 2 bolt
21A	18817	18817	1" Bearing, less flange
21B	18694	18694	1" Bearing flange, single
21C	17167	17167	Gasket for 1" flangette bearing
22	19322	---	1-1/4" Bearing flange, 2 bolt
22A	18853	---	1-1/4" Bearing, less flange
22B	17168	---	Gasket for 1-1/4" flangette bearing
22C	---	19567	1-1/4" Pillow block bearing
22D	---	18852	1-1/4" Pillow block bearing only
23	19595	19595	Whiznut, 5/16"
24	19596	19596	Whiznut, 3/8"
25	19430	19430	Upper sprocket
26	19431	18697	Lower sprocket
27	19225	19225	Setscrew, 3/8" - 16 x 3/8"
28	19224	19224	Woodruff key, 1/4" x 1"
28A	---	19606	1/4" x 1-1/2" SQ key
29	19432	18696	Roller chain w/connector
29A	19433	19433	Roller chain connector only
30	17158	17160	Oil bath housing cover
31	17179	17179	3/8" Oil bath plug
32	17749	17749	Bolt, 5/16" - 18 x 3/4"
33	18184	18184	Bolt, 3/8" - 16 x 3/4"
34	19988	19988	Bolt, 1/4" x 1" GR2
35	19594	19594	Whiznut, 1/4"
36	19398	19774	Intake hitch w/shield, bushing, grease fitting
37	17123	17180	Clevis, less bolt
38	17181	17181	5/8" Clevis pin
39	19149	19776	Bushing
40	17383	17383	Grip clip

REF. NO.	PART NO.		PARTS DESCRIPTION
	841	1041	
41	19222	19222	Press-in grease fitting
42	19542	19542	Bolt, 7/16" x 1" GR5
43	19598	19598	Locknut, 7/16"
44	27862	27862	Cable return
45	27847	27847	Axle assembly
45A	19263	19263	Weld-on spindle only
46	27875	27875	Upright baseplate, LH
47	27874	27874	Upright baseplate, RH
48	27878	27878	Upper lift arm
49	27263	27263	Upper frame cross brace
50	19797	19797	3" Frame brace clamps
51	18698	18698	Bolt, 7/16" x 1-1/4"
52	27841	27841	Long crossmember
53	27882	27882	Lower frame tube
54	27881	27881	Lower frame channel
55	27842	27842	Upper frame channel
56	27846	27846	Upper channel spacer
57	27843	27843	Top frame cross brace
58	27844	27844	Winch mount cross brace
59	27861	27861	Winch mount
60	19152	19152	Winch and handle
61	19264	19264	Seal
62	19265	19265	Large bearing, Timken #LM67048
63	19266	19266	Large cup, Timken #LM67010
64	19267	19267	Hub w/cups
65	19268	19268	Small cup, Timken #LM11910
66	19269	19269	Small bearing, Timken #LM11949
67	19270	19270	Slotted nut, 3/4" - 16
68	19272	19272	Dust cap
69	19261	19261	15" Wheel, 4 bolt
70	19273	19273	Wheel bolt, 1/2" - 20
71	19271	19271	Cotter pin, 1/8" x 1-1/2"
72	19467	19467	Hub assembly, complete
73	19545	---	Bolt, 7/16" x 2-1/4" GR8
73A	---	19798	Bolt, 1/2" x 2-3/4" GR8
74	19599	19599	Locknut, 1/2"
75	17182	17182	Track stop washers
76	19274	19274	Selt tapping screw, 1/4" - 14 x 5/8"
77	19991	19991	Bolt, 5/8" x 2" GR8
78	19600	19600	Locknut, 5/8"
79	19590	19590	Bolt, 5/8 x 1-1/2" GR8
80	19591	19591	Bolt, 5/8" x 6-1/2" GR8
81	18955	18955	Bolt, 3/8" x 1" GR5
82	17402	17402	Locknut, 3/8"
83	19588	19588	Bolt, 1/2" x 1-1/4" GR5
84	---	17746	Bolt, 1/2" x 1-1/2"
85	18699	18699	Bolt, 3/8" x 2-1/2"
86	17760	17760	Setscrew, 3/8" x 1/2"
	27924	---	TF841 Carton
	---	27929	TF1041 Carton
	18675	18675	TF1 - 1 - 4

TF80, TF100-46' & 51' Basic Auger

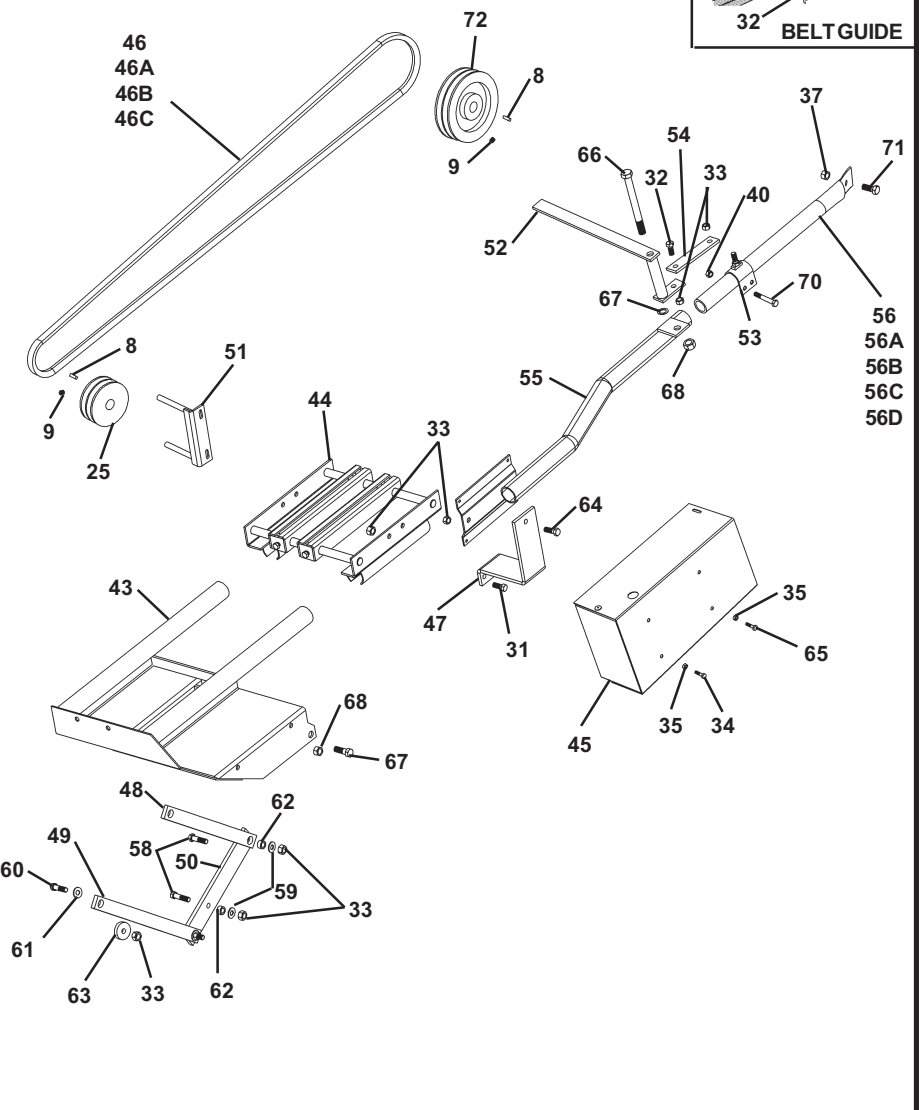
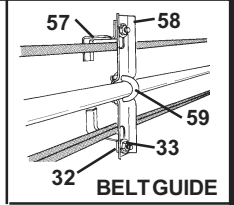


L6

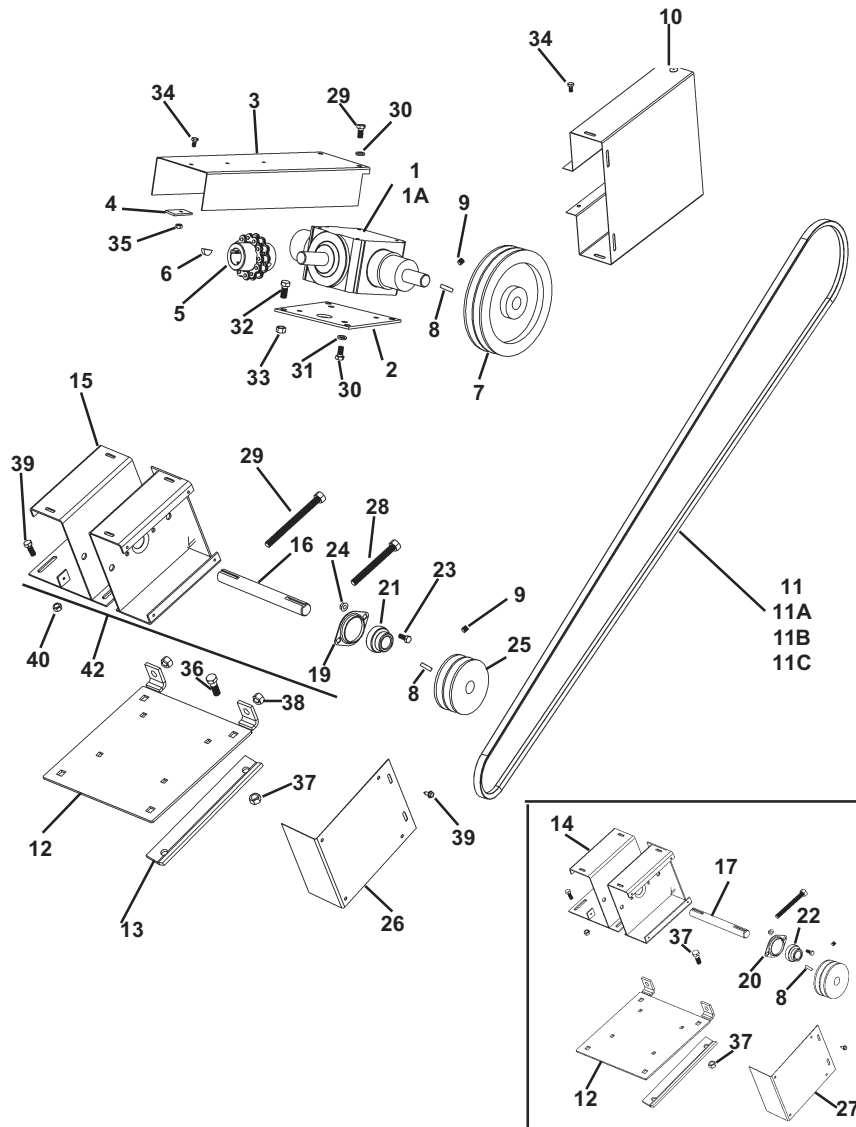
May-07

REF. NO.	PART NO.		PARTS DESCRIPTION
	TF846	TF851	
1	27824	27824	Upper tube section w/driveshaft, housing, track
1A	27839	27839	Upper tube bundle, as shipped
2	27825	27826	Lower tube section
2A	27853	27840	Lower tube bundle, as shipped
3	19402	19402	Upper flight section
4	19409	19410	Lower flight section (w/ intake flight)
4A	17534	17534	Slip on intake flight
5	18702	18702	Driveshaft, upper
6	27901	27902	Driveshaft, lower
7	19119	19119	1" Straight connector
8	18762	18762	Track stop
9	18763	18763	Roller track shoe
10	27963	---	1/4" Lift cable, 55' long
10A	---	27964	1/4" Lift cable, 61'6" long
11	19147	19147	1/4" Cable clamp
12	17156	17156	Weld-on spout
13	19254	---	42" Driveshaft shield
14	19255	19255	48" Driveshaft shield
15	18829	18829	60" Driveshaft shield
16	19256	19256	Shield tie-down strap
17	19257	19257	Shield attach bracket
18	18695	18695	1-1/4" Bearing flange, single
19	18693	18693	1-1/4" Split hardwood bearing
20	17172	17172	Upper drive housing
21	19321	19321	1" Flangette bearing, 2 bolt
21A	18817	18817	1" Bearing, less flange
21B	18694	18694	1" Bearing flange, single
21C	17167	17167	Gasket for 1" flangette bearing
22	19322	19322	1-1/4" Bearing flange, 2 bolt
22A	18853	18853	1-1/4" Bearing, less flange
22B	17168	17168	Gasket for 1-1/4" flangette bearing
23	19595	19595	Whiznut, 5/16"
24	19596	19596	Whiznut, 3/8"
25	19430	19430	Upper sprocket
26	19431	19431	Lower sprocket
27	19225	19225	Setscrew, 3/8" - 16 x 3/8"
28	19224	19224	Woodruff key, 1/4" x 1"
29	19432	19432	Roller chain w/connector
29A	19433	19433	Roller chain connector only
30	17158	17158	Oil bath housing cover
31	17179	17179	3/8" Oil bath plug
32	17749	17749	Bolt, 5/16" - 18 x 3/4"
33	18184	18184	Bolt, 3/8" - 16 x 3/4"
34	19988	19988	Bolt, 1/4" x 1" GR2
35	19594	19594	Whiznut, 1/4"
36	19398	19398	Intake hitch w/shield, bushing, grease fitting
37	17123	17123	Clevis, less bolt
38	17181	17181	5/8" Clevis pin
39	19149	19149	1" Bushing
40	17383	17383	Grip clip
41	19222	19222	Press-in grease fitting
42	19542	19542	Bolt, 7/16" x 1" GR5

REF. NO.	PART NO.		PARTS DESCRIPTION
	TF846	TF851	
43	19598	19598	Locknut, 7/16"
44	27862	27862	Cable return
45	27847	27847	Axle assembly
45A	19263	19263	Weld-on spindle only
46	27875	27875	Upright baseplate, LH
47	27874	27874	Upright baseplate, RH
48	27877	27876	Upper lift arm
49	27263	27263	Upper frame cross brace
50	19797	19797	3" Frame brace clamps
51	18698	18698	Bolt, 7/16" x 1-1/4"
52	27841	27841	Long crossmember
53	27882	27882	Lower frame tube
54	27881	27881	Lower frame channel
55	27842	27842	Upper frame channel
56	27846	27846	Upper channel spacer
57	27843	27843	Top frame cross brace
58	27844	27844	Winch mount cross brace
59	27861	27861	Winch mount
60	19152	19152	Winch and handle
61	19264	19264	Seal
62	19265	19265	Large bearing, Timken #LM67048
63	19266	19266	Large cup, Timken #LM67010
64	19267	19267	Hub w/cups
65	19268	19268	Small cup, Timken #LM11910
66	19269	19269	Small bearing, Timken #LM11949
67	19270	19270	Slotted nut, 3/4" - 16
68	19272	19272	Dust cap
69	19261	19261	15" Wheel, 4 bolt
70	19273	19273	Wheel bolt, 1/2" - 20
71	19271	19271	Cotter pin, 1/8" x 1-1/2"
72	19467	19467	Hub assembly, complete
73	19545	19545	Bolt, 7/16" x 2-1/4" GR8
74	19599	19599	Locknut, 1/2"
75	17182	17182	Track stop washers
76	19274	19274	Self tapping screw, 1/4" - 14 x 5/8"
77	19991	19991	Bolt, 5/8" x 2" GR8
78	19600	19600	Locknut, 5/8"
79	19590	19590	Bolt, 5/8 x 1-1/2" GR8
80	19591	19591	Bolt, 5/8" x 6-1/2" GR8
81	18955	18955	Bolt, 3/8" x 1" GR5
82	17402	17402	Locknut, 3/8"
83	19588	19588	Bolt, 1/2" x 1-1/4" GR5
84	27965	---	Truss cable, 5/16" x 46'
84A	---	18042	Truss cable, 5/16" x 55'6"
85	19333	19333	5/16" Cable clamp
86	19324	19324	Regular truss bracket
87	27863	27863	Truss cable anchor, top
88	27960	27960	Truss cable anchor, bottom
89	19331	19331	1/2" Eyebolt, w/nuts
90	18699	18699	Bolt, 3/8" x 2-1/2"
91	17760	17760	Setscrew, 3/8" x 1/2"



GAS DRIVE KIT

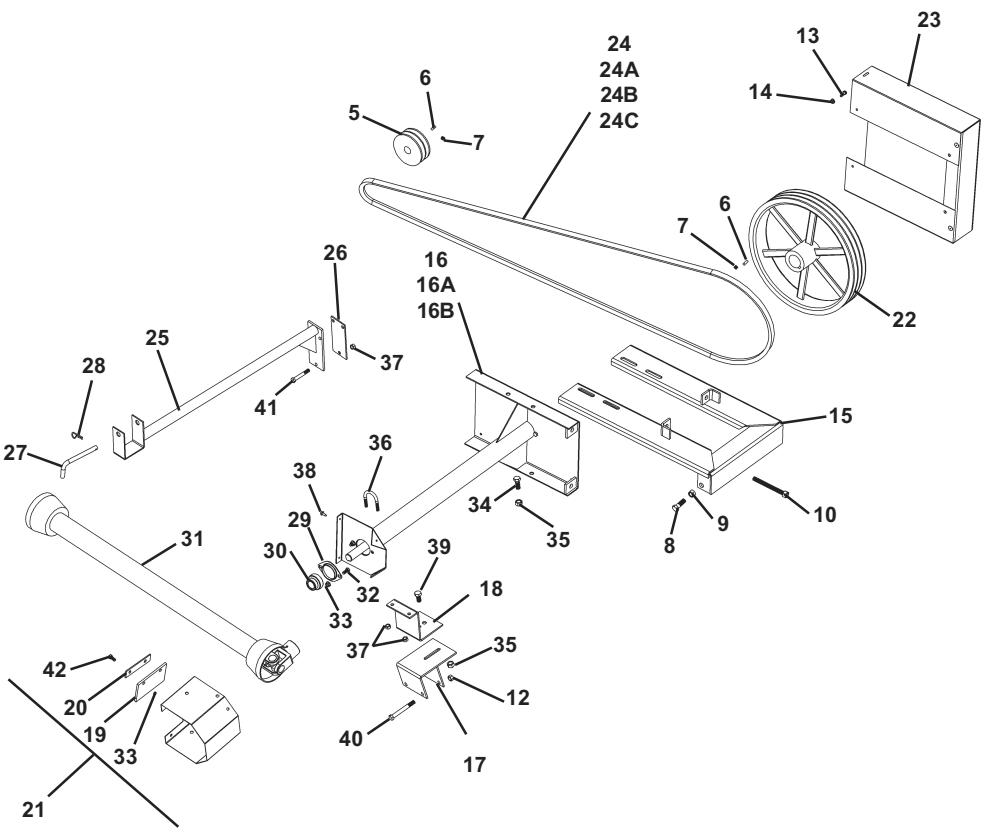


BEFORE 2007

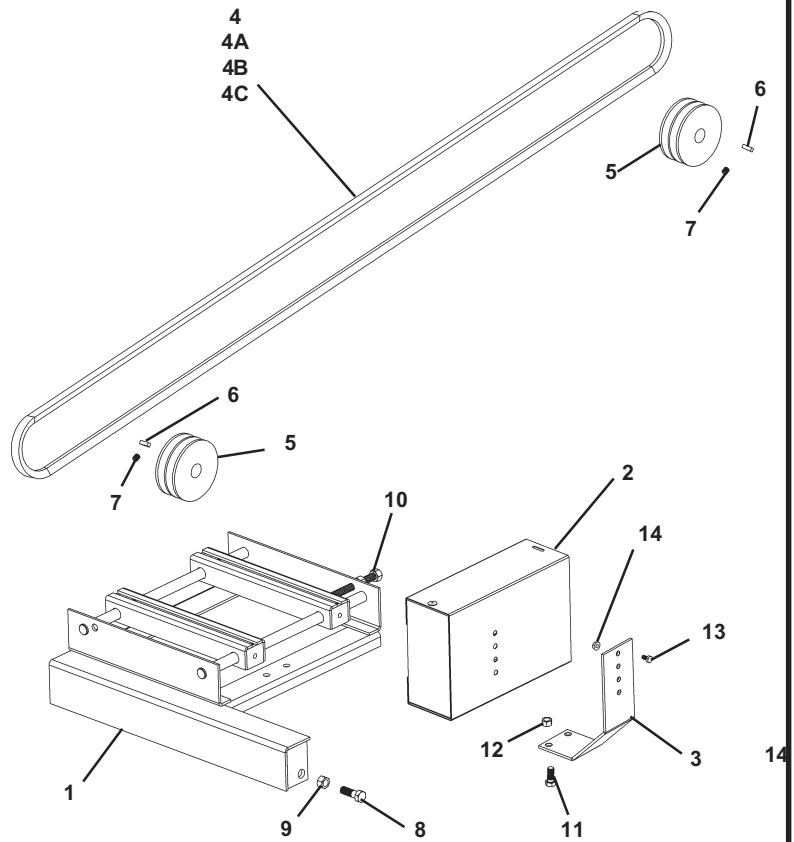
UPPER BELT DRIVE

REF. NO.	PART NO.	PARTS DESCRIPTION	
		UPPER BELT DRIVE:	
1	28358	TF Gearbox Assembly, as shipped	
1A	19473	Gearbox	
2	19633	Gearbox mounting plate	
3	19626	Connector shield	
4	19627	DSG attach plate	
5	17592	Flex coupler	
6	19224	Woodruff key, 1/4" x 1"	
7	19475	8" Double pulley (for all drives)	
8	19606	1/4" x 1-1/2" SQ key	
9	19225	Setscrew, 3/8" - 16 x 3/8"	
10	27866	Gearbox pulley guard	
11	27281	Belt B124, 8"/10" x 31' only	
11A	27951	Belt B132, 8"/10" x 36' only	
11B	27956	Belt B166, 8"/10" x 41', 8" x 46', only	
11C	27953	Belt B160, 8" x 51' only	
12	27845	Jackshaft main plate	
13	27890	Jackshaft clamps	
15	28309	1-1/4" - Jackshaft base	
16	28424	1-1/4" - Jackshaft shaft	
18	19322	1-1/4" 2 hole flange bearing	
19	18695	1-1/4" Bearing flange, single	
21	18853	1-1/4" Bearing, less flanges	
23	17749	Bolt, 5/16" x 3/4"	
24	19595	Whiznut. 5/16"	
25	A110	4" Double pulley (for all drives)	
26	27918	Jackshaft pulley guard	
28	27914	Jackshaft Tensioner bolt, 1/2" x 5"	
29	19937	Adjust bolt, 1/2" x 9"	
30	19540	Bolt, 3/8" x 3/4"	
31	19604	Lockwasher, 3/8"	
32	19542	11C	27953
33	19598		
34	19537	17	28355
35	19594		
36	19589	22	18817
37	19599		
38	19602	TF jackshaft pulley guard	
39	18955	Bolt, 3/8" x 1"	
40	17402	Locknut, 3/8"	
41	19274	Self tapping screw, #14 x 5/8" w/Washerhead	
42	14982	TF Jackshaft pulley assembly, as shipped	

REF. NO.	PART NO.	PARTS DESCRIPTION
		GAS DRIVE KIT:
43	27858	Motor mount Base
44	27859	Motor mount slider
45	27867	Motor pulley guard
46	27958	Belt B120, 8"/10" x 31' only
46A	27952	Belt B138, 8"/10" x 36', 8"/10" x 41' only
46B	27956	Belt B166, 8" x 46' only
46C	18688	Belt B195, 8" x 51' only
47	27892	Push bar bracket
48	27885	Leveller channel bar
49	27886	Leveller motor bar
50	27887	Leveller connector bar
51	27869	Motor guard belt separator
52	27870	Tensioner handle
53	27871	Tensioner U-bracket
54	27898	Tensioner connector bar
55	27868	Tensioner tube
56	27897	TF 31 Push bar
56A	27896	TF 36 Push bar
56B	27895	TF 41 Push bar
56C	27894	TF 46 Push bar
56D	27893	TF 51 Push bar
57	19639	Belt guide
58	18818	Belt guide support
59	18845	U-Bolt, 3/8" x 1-1/2"
60	19981	Bolt, 7/16" x 1-3/4"
61	17182	Washer, 7/16" Flat
62	27889	TF Leveller bushing
63	27888	TF Leveller shim
64	18698	Bolt, 7/16" x 1-1/4"
65	19988	Bolt, 1/4" x 1"
66	19591	Bolt, 5/8" x 6-1/2"
67	18096	Rim washer, 5/8"
68	19600	Locknut, 5/8"
69	19590	Bolt, 5/8" x 1-1/2"
70	18699	Bolt, 3/8" x 2-1/2"
71	19588	Bolt, 1/2" x 1-1/4"
72	18836	6.5" Double pulley
		BEFORE 2007:
46	27954	Belt B114, 8"/10" x 31' only
46A	27951	Belt B132, 8"/10" x 36' only



PTO DRIVE KIT

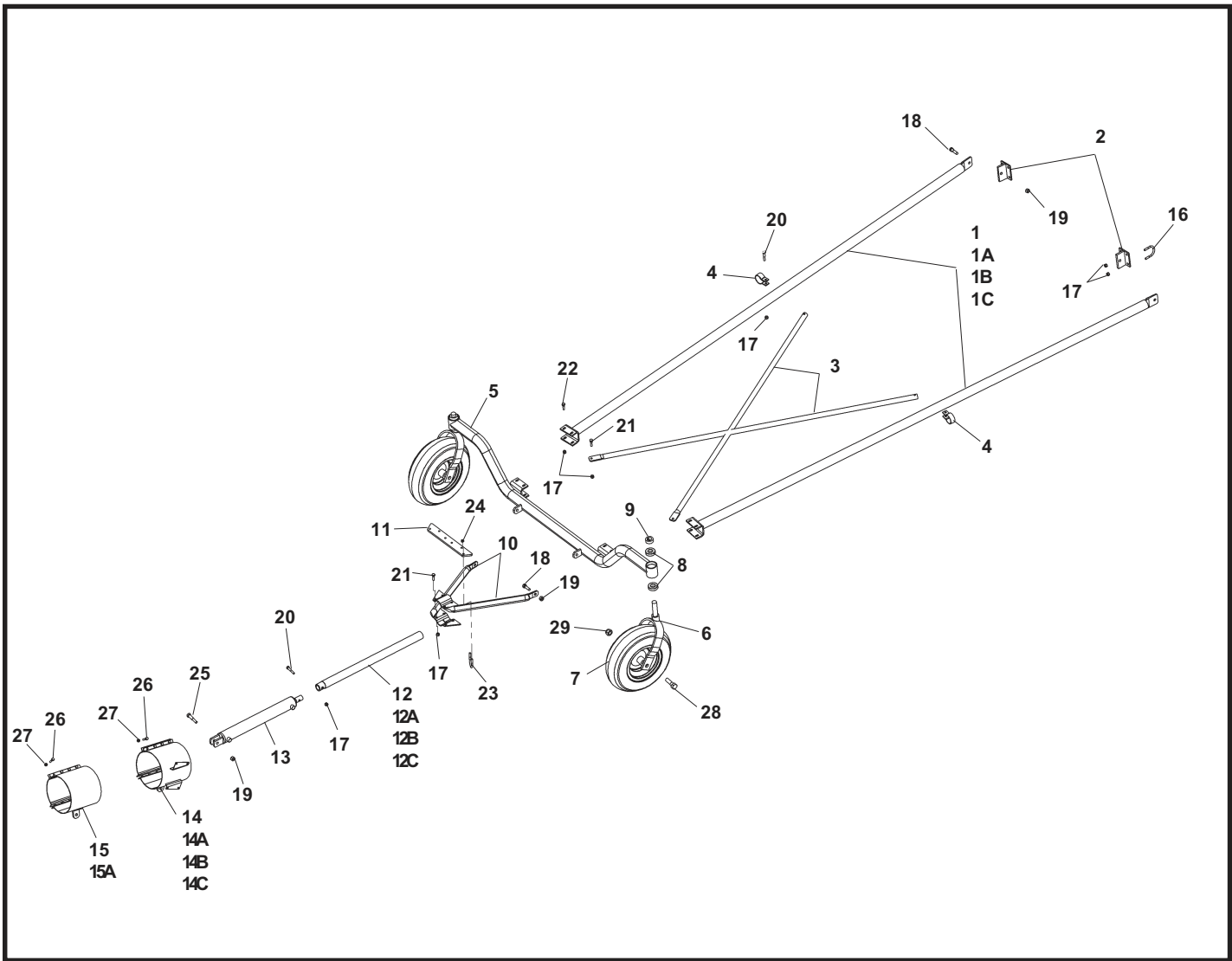


EMD DRIVE KIT

REF. NO.	PART NO.	PARTS DESCRIPTION
1	27906	EMD DRIVE KIT: EMD mount
2	27907	EMD pulley guard
3	27908	EMD guard mount bracket
4	19213	Belt B105, 8"/10" x 31' only
4A	27281	Belt B124, 8"/10" x 36', 8"/10" x 41' only
4B	27959	Belt B153, 8" x 46' only
4C	19477	Belt B180, 8" x 51' only
5	A110	4" Double pulley (for all drives)
6	19606	1/4" x 1-1/2" SQ key
7	19225	Setscrew, 3/8" - 16 x 3/8"
8	19590	Bolt, 5/8" x 1-1/2"
9	19600	Locknut, 5/8"
10	27914	Tensioner bolt
11	19542	Bolt, 7/16" x 1"
12	19598	Locknut, 7/16"
13	19537	Bolt, 1/4" x 1/2"
14	19594	Whiznut, 1/4"
4A	27281	BEFORE 2007: Belt B124, 8"/10" x 36' only
4B	27955	Belt B128, 8"/10" x 41' only

REF. NO.	PART NO.	PARTS DESCRIPTION
15	27911	PTO DRIVE KIT: PTO mount
16	27909	PTO drive assembly
16A	27910	PTO drive only
16B	27912	PTO shaft only
17	19646	Jackshaft attach bracket
18	27916	PTO mount bracket
19	17229	Rubber belt
20	17230	Rubber mount strap
21	17231	PTO guard - small (with rubber pieces and hardware)
22	18533	15" Double pulley
23	27913	PTO pulley guard
24	19212	Belt B100, 8"/10" x 31' only
24A	27958	Belt B120, 8"/10" x 36', 8"/10" x 41' only
24B	28314	Belt B148, 8" x 46' only
24C	19477	Belt B180, 8" x 51' only
25	27915	PTO cradle
26	27917	PTO cradle backplate
27	19648	Saddle pin less hairpin
28	19463	Hairpin
29	18694	1" Bearing flange, single
30	18817	1" Bearing, less flanges
31	19520	PTO shaft
32	17749	Bolt, 5/16" x 3/4"
33	19595	Whiznut, 5/16"
34	19588	Bolt, 1/2" x 1-1/4"
35	19599	Locknut, 1/2"
36	19610	U-Bolt, 3/8" x 2-1/2"
37	17402	Locknut, 3/8"
38	19274	Self tapping screw, #14 x 5/8" w/Washerhead
39	19231	Bolt, 1/2" x 1"
40	19547	Bolt, 7/16" x 3-1/2"
41	18699	Bolt, 3/8" x 2-1/2"
42	19538	Bolt, 5/16" x 3/4"
24A	27958	BEFORE 2007: Belt B120, 8"/10" x 36' only
24B	27281	Belt B124, 8"/10" x 41' only
24C	27959	Belt B153, 8"/10" x 46' only

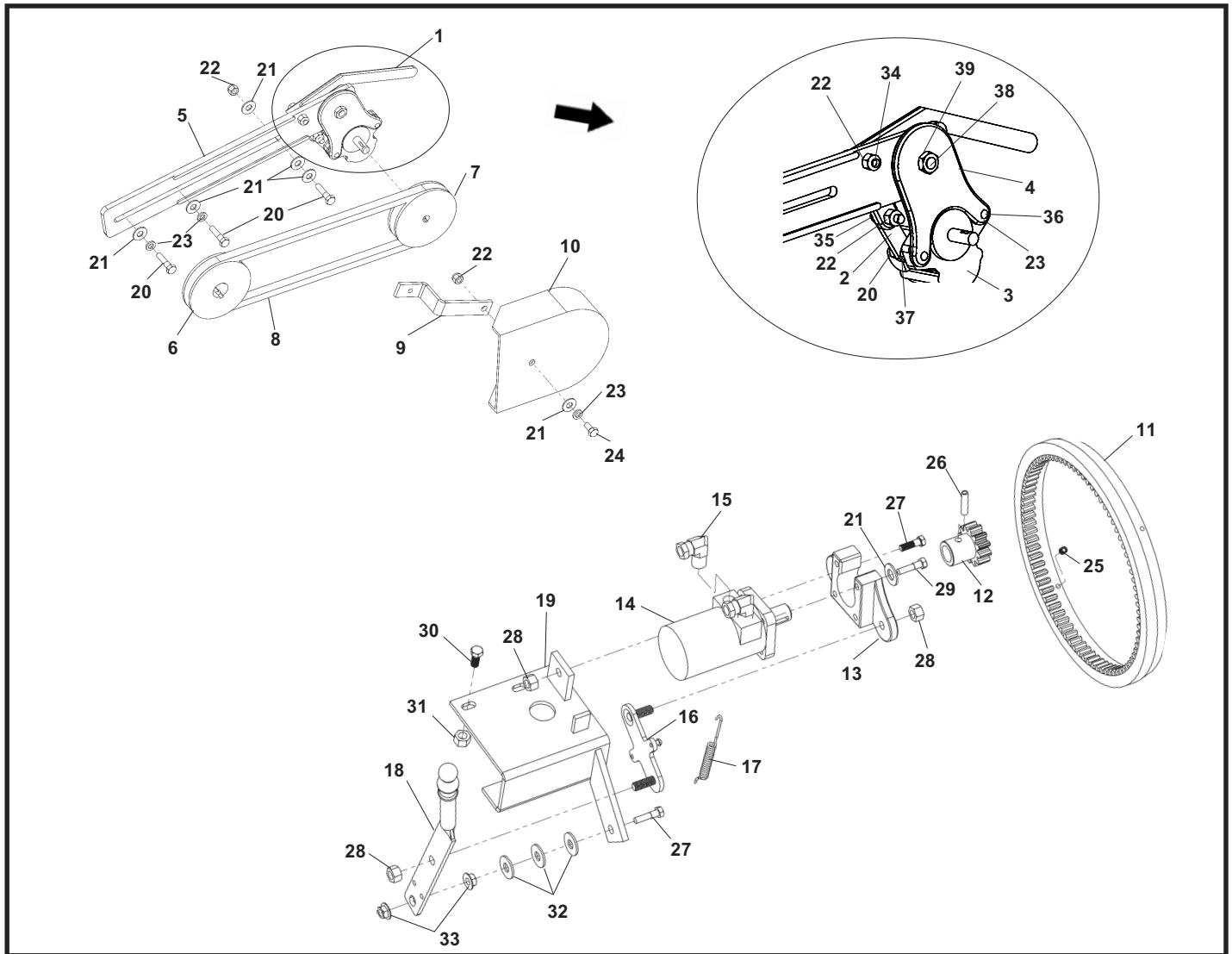
TF Wheel Move - Frame Components



REF. NO.	PART NO.	PARTS DESCRIPTION
1	28195	Transport frame pipe, 76" (31')
1A	28196	Transport frame pipe, 101" (36',41')
1B	28197	Transport frame pipe, 120" (46')
1C	28198	Transport frame pipe, 144" (51')
2	27942	Wheel move bracket
3	28199	Cross brace pipe
4	28174	Cross brace clamp
5	28167	Wheel V-frame assembly
6	28168	Wheel yoke, with collar
7	28169	Wheel and tire
8	28176	1" ID ball bearing
9	28177	1" Collar
10	28173	Ram mounting A-frame
11	28187	A-frame bracket (851 and 10" augers)
12	28170	15" Ram ext. pipe (31')
12A	28171	21" Ram ext. pipe (36')
12B	28172	38" Ram ext. pipe (41',46')
12C	28178	45" Ram ext. pipe (51')
13	28179	Hydraulic cylinder
14	28189	SP Control ring (831, 836)

REF. NO.	PART NO.	PARTS DESCRIPTION
14A	28190	SP Control ring (841,846,851)
14B	28192	SP Control ring (1031,1036)
14C	28193	SP Control ring (1041)
15	28191	Ram mount ring, if required (841,846,851)
15A	28194	Ram mount ring, if required (1041)
16	19609	U-Bolt, 3/8" x 2"
17	17402	Locknut, 3/8"
18	27816	Bolt, 1/2" x 2"
19	19599	Locknut, 1/2"
20	28255	Bolt, 3/8" x 2"
21	28256	Bolt, 3/8" x 1-1/2"
22	19975	Bolt, 3/8" x 1-1/4"
23	28257	U-Bolt, 1/4" x 1-1/2"
24	28258	Locknut, 1/4"
25	17403	Bolt, 1/2" x 2-1/2"
26	19542	Bolt, 7/16" x 1"
27	19598	Locknut, 7/16"
28	28263	Bolt, 3/4" x 6"
29	19601	Locknut, 3/4"

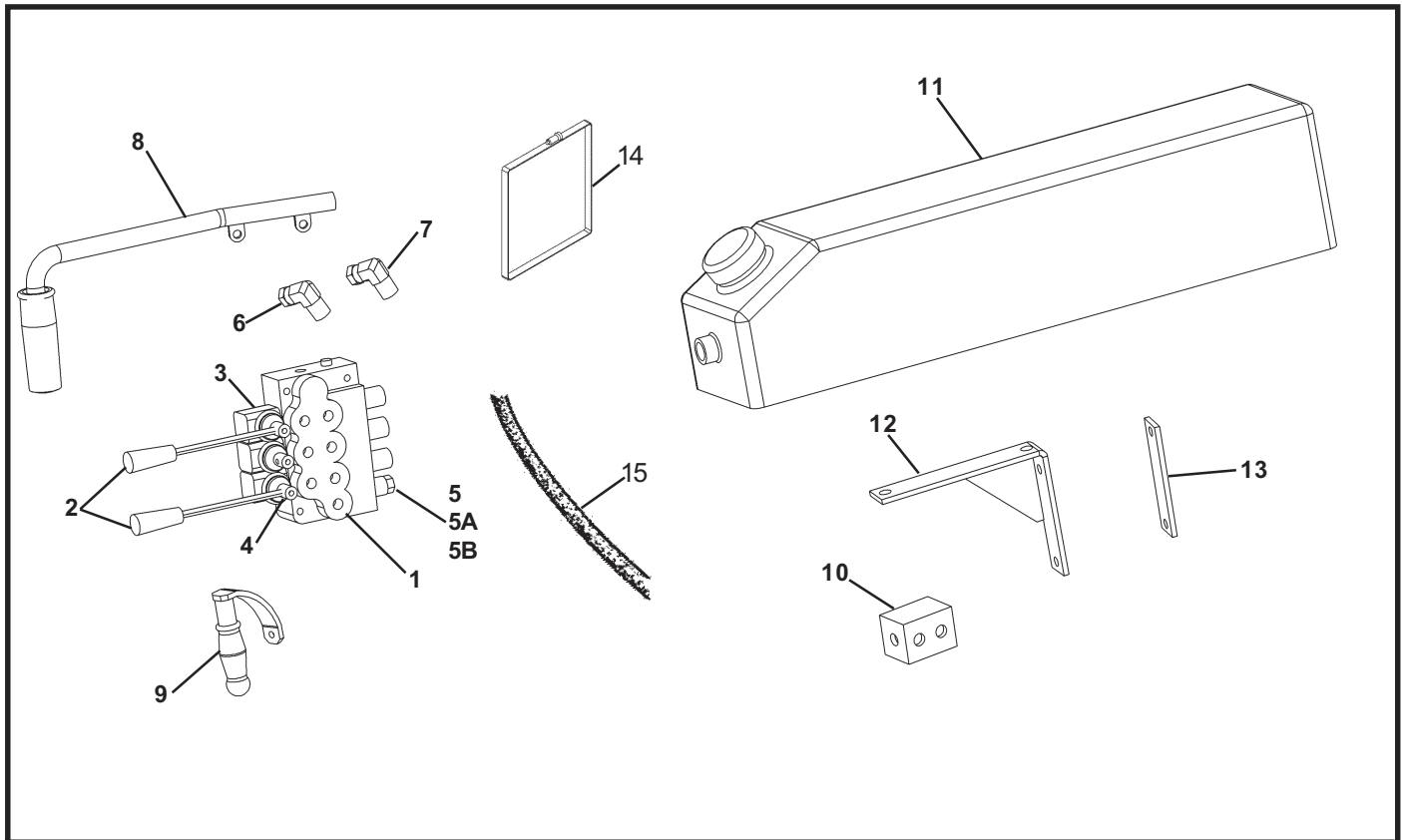
TF Wheel Move - Gear Pump and Gear Drive Components



REF. NO.	PART NO.	PARTS DESCRIPTION
1	28203	Pumphandle
2	28204	Handle linkage
3	28205	Pump
4	28206	Pump bracket
5	28207	Over centre pump bracket
6	28061	Single groove engine pulley, 1-1/8" Bore
	28062	Single groove engine pulley, 1" Bore
7	28200	Pump pulley
8	28253	Belt, B37
9	28164	Pump guard bracket
10	28165	Pump guard
11	28175	Ring gear, w/ 4 set screws
12	28181	Pinion gear, w/ roll pin
13	28182	Motor arm
14	28183	Orbit motor
15	28184	Fitting elbow, 1/2" MNPT x 3/8" FNPSM
16	28185	Handle link arm
17	28186	Handle spring
18	28188	Handle w/ grip
19	28202	Over centre drive bracket

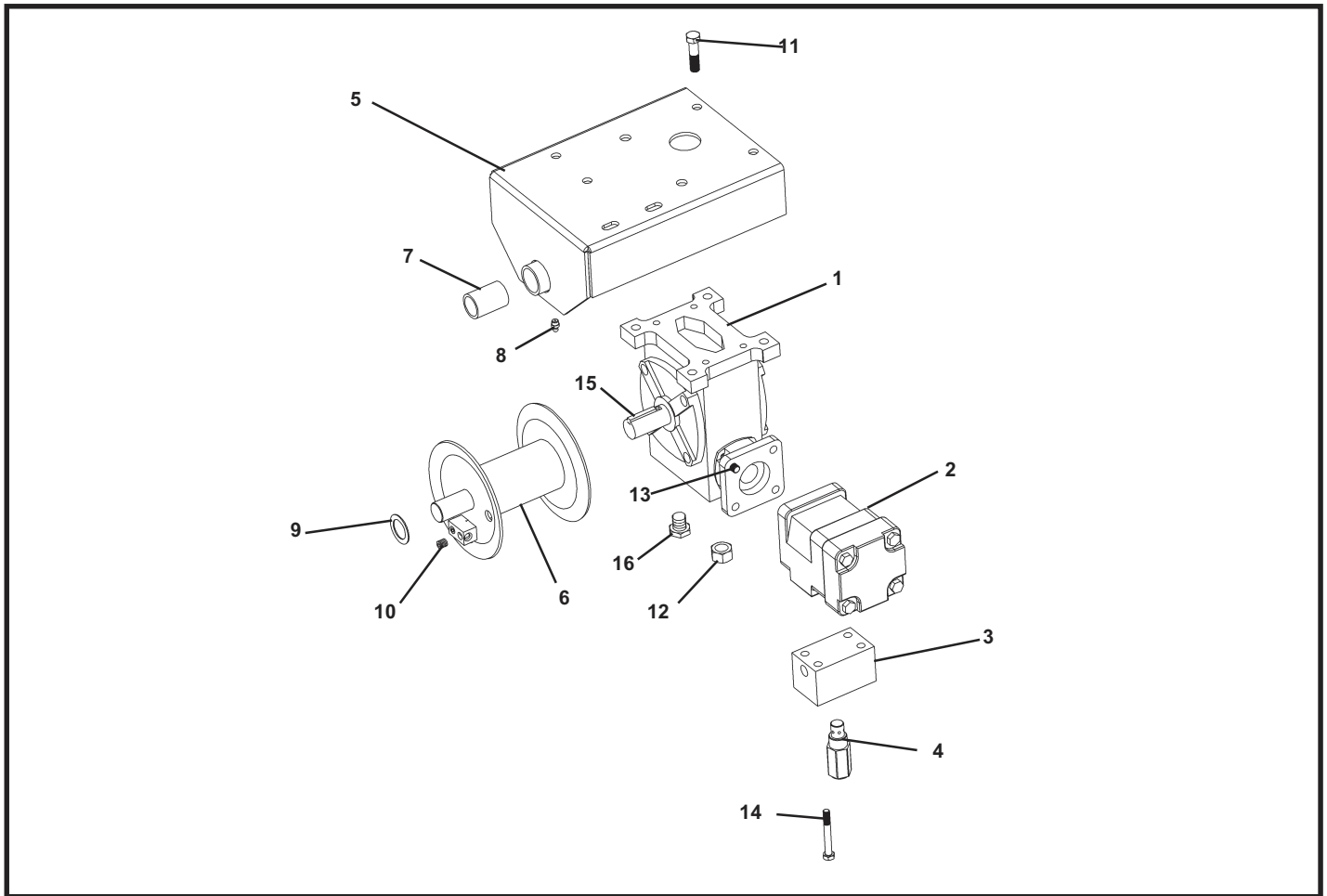
REF. NO.	PART NO.	PARTS DESCRIPTION
20	28256	Bolt, 3/8" x 1-1/2"
21	17392	Flat washer, 3/8"
22	17402	Locknut, 3/8"
23	19604	Lockwasher, 3/8"
24	28262	Bolt, 3/8" x 3/4"
25	28259	Setscrew, 5/16 x 3/4"
26	28260	3/8" x 1-1/2" Roll pin
27	27816	Bolt, 1/2" x 2"
28	19599	Locknut, 1/2"
29	28255	Bolt, 3/8" x 2"
30	19542	Bolt, 7/16" x 1"
31	19598	Locknut, 7/16"
32	17401	Flat washer, 1/2"
33	28261	Whiznut, 1/2"
34	28264	Bolt, 3/8" x 1-3/4"
35	19975	Bolt, 3/8" x 1-1/4"
36	19955	Bolt, 3/8" x 1"
37	17754	Hex nut, 3/8"
38	19231	Bolt, 1/2" x 1"
39	17756	Jam nut, 1/2"

TF Wheel Move - Hydraulic Components



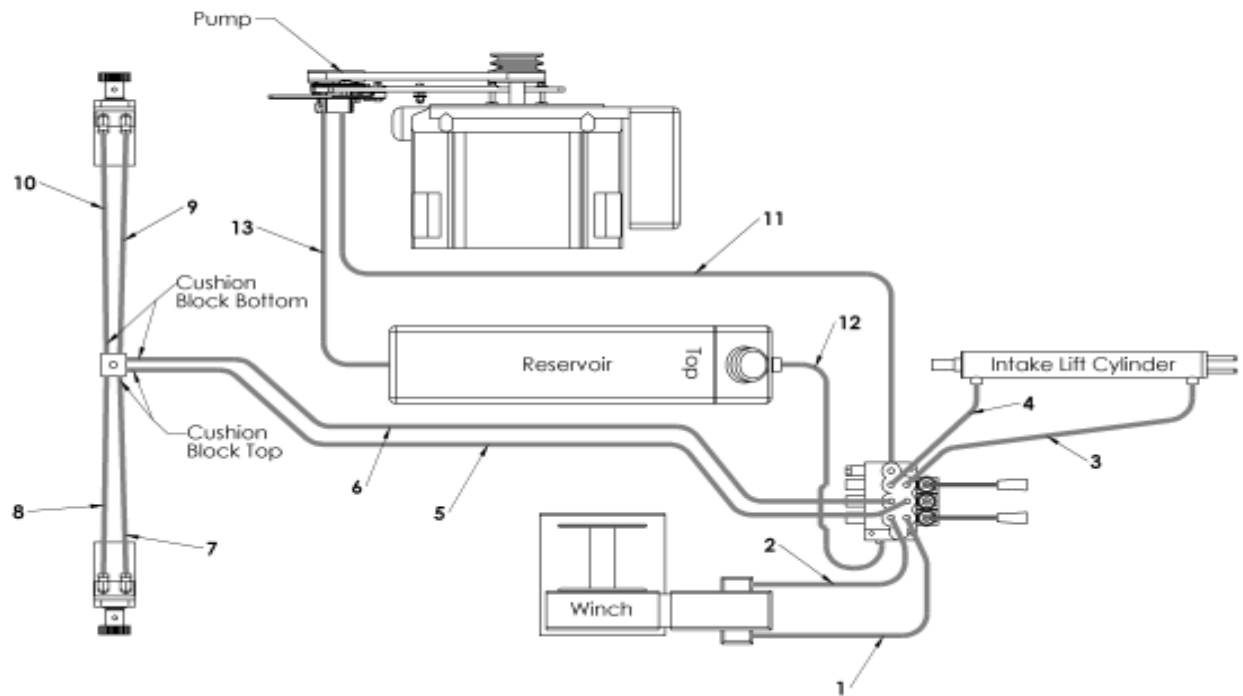
REF. NO.	PART NO.	PARTS DESCRIPTION	REF. NO.	PART NO.	PARTS DESCRIPTION
1	28209	Three spool valve, complete - no fittings	7	28217	Fitting elbow, 45° 6 MORB x 6 MJIC
2	28210	Control levers for spool valve	8	28218	Bar handle
3	28211	Lever pivot box, w/ lever arm, lever pin, rubber boot	9	28219	Control handle
4	28212	Boot, three spool valve	10	28180	Cushion block
5	28213	End cap	11	28166	22L Tank (w/ fittings, cap, hose)
5A	28214	End cap w/ bolt	12	27873	Tank bracket
5B	28215	End cap w/ spring	13	27919	Tank backplate
6	28216	Fitting elbow, 1/2" MNPT x 1/2" FNPSM	14	9900216	Clamp, Gear (116), 32"
			15	0200324A-44	Hose

A197 - Hydraulic Winch



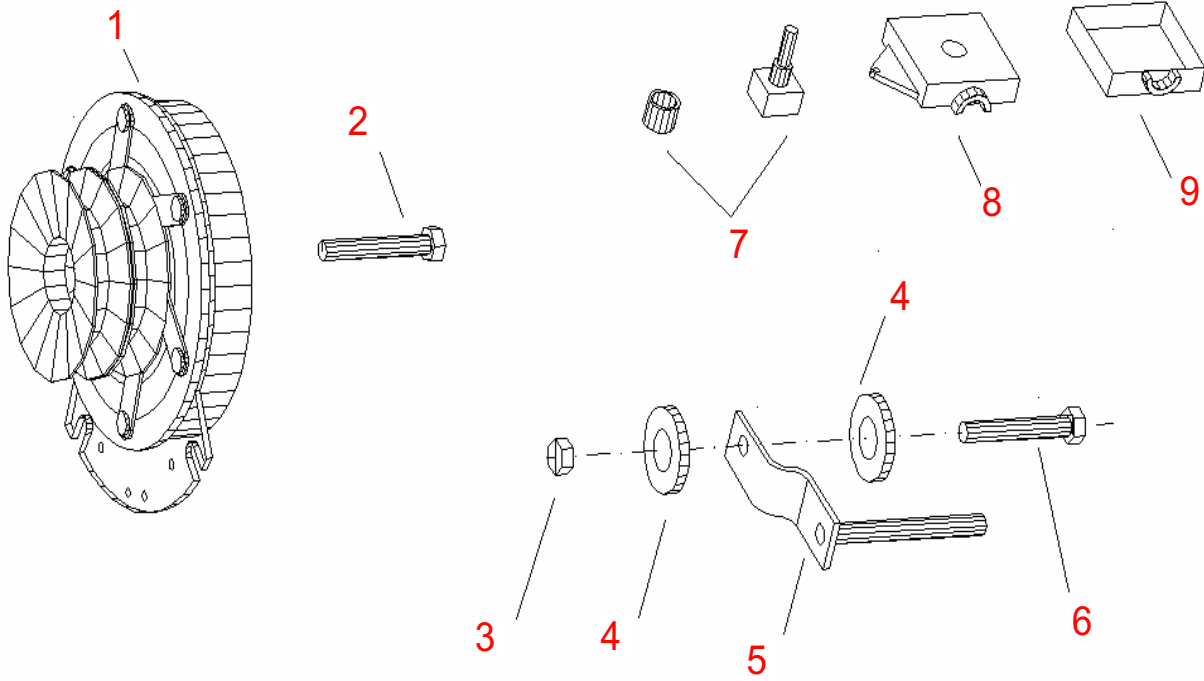
REF. NO.	PART NO.	PARTS DESCRIPTION
1	17625	Gearbox
2	28220	Hydraulic motor
3	28221	Hydraulic motor bypass valve
4	28222	Relief valve
5	17628	Winch frame
6	17629	Drum assembly
7	19149	Bushing, 1"ID x 1 1/4"OD Oilite
8	19222	Grease nipple, 5/16" press in
9	18097	Spacer, 1"ID x 18 ga.
10	19225	Setscrew, 3/8" - x 3/8"
11	19981	Bolt, 7/16 x 1 3/4"
12	19598	Locknut, 7/16"
13	19955	Bolt 3/8 - 16 x 1", black
14	17631	Bolt 5/16" x 2-1/2"
15	19606	Square key, 1/4 x 1 1/2"
16	28329	Plastic Vent Plug, M16x1.5 (O-Ring: 16 x 2.4mm)
17	17634	Hyd Winch Assm "Only"

TF Wheel Move - Hydraulic Lines



HOSES	1&2	3	4	5&6	7&8	9&10	11	12	13
AUGER	CONTROL VALVE TO/FROM WINCH VALVE	CONROL VALVE TO CYLINDER INLET PORT	CYLINDER EXIT PORT TO CONTROL VALE	CONTROL VALVE TO/FROM CUSHION BLOCK	CUSHION BLOCK TO/FROM DRIVE MOTOR	CUSHION BLOCK TO/FROM DRIVE MOTOR	OUT FROM HYDRAULIC PUMP TO CONROL VALVE INLET PORT	OUT FROM CONTROL VALVE TO OIL RESERVOIR INLET	OUT FROM OIL RESERVOIR TO HYDRULIC PUMP INLET
8X31	3/8" - 96" 28233	3/8" - 26" 28223	3/8" - 40" 28225	3/8" - 144" 28236	3/8" - 48" 28228	3/8" - 50" 28229	1/2" - 156" 28245	1/2" - 78" 28242	3/4" - 48" 28252
8X36	3/8" - 132" 28234	3/8" - 26" 28223	3/8" - 40" 28225	3/8" - 177" 28238	3/8" - 48" 28228	3/8" - 50" 28229	1/2" - 182" 28247	1/2" - 94" 28243	3/4" - 48" 28252
8X41	3/8" - 140" 28235	3/8" - 36" 28224	3/8" - 52" 28230	3/8" - 200" 28239	3/8" - 50" 28229	3/8" - 60" 28231	1/2" - 214" 28249	1/2" - 136" 28244	3/4" - 48" 28252
8X46	3/8" - 175" 28237	3/8" - 44" 28226	3/8" - 60" 28231	3/8" - 235" 28240	3/8" - 50" 28229	3/8" - 60" 28231	1/2" - 245" 28250	1/2" - 165" 28246	3/4" - 48" 28252
8X51	3/8" - 200" 28239	3/8" - 46" 28227	3/8" - 62" 28232	3/8" - 260" 28241	3/8" - 50" 28229	3/8" - 60" 28231	1/2" - 280" 28251	1/2" - 200" 28248	3/4" - 48" 28252
10X31	3/8" - 96" 28233	3/8" - 26" 28223	3/8" - 40" 28225	3/8" - 144" 28236	3/8" - 48" 28228	3/8" - 50" 28229	1/2" - 156" 28245	1/2" - 78" 28242	3/4" - 48" 28252
10X36	3/8" - 132" 28234	3/8" - 26" 28223	3/8" - 40" 28225	3/8" - 177" 28238	3/8" - 48" 28228	3/8" - 50" 28229	1/2" - 182" 28247	1/2" - 94" 28243	3/4" - 48" 28252
10X41	3/8" - 140" 28235	3/8" - 36" 28224	3/8" - 52" 28230	3/8" - 200" 28239	3/8" - 50" 28229	3/8" - 60" 28231	1/2" - 214" 28249	1/2" - 136" 28244	3/4" - 48" 28252

A224 / A225 - Electric Clutch



REF. NO.	PART NO.	PARTS DESCRIPTION
1	28593	Electric clutch assembly 1-1/8"
	28594	Electric Clutch Assembly 1"
2	28595	Bolt, 3/8" UNF x 3" grade 8
3	17402	Nylon lock nut 3/8"
4	17392	Flat washer 3/8"
5	28597	Clutch stop bracket
6	19975	Bolt, 3/8" UNC x 1-1/4", grade 5
7	28598	Switch with rubber boot
8	28599	Switch box top
9	28600	Switch box bottom
10	28601	Wiring harness
11	28602	Pigtail, NNS clutch