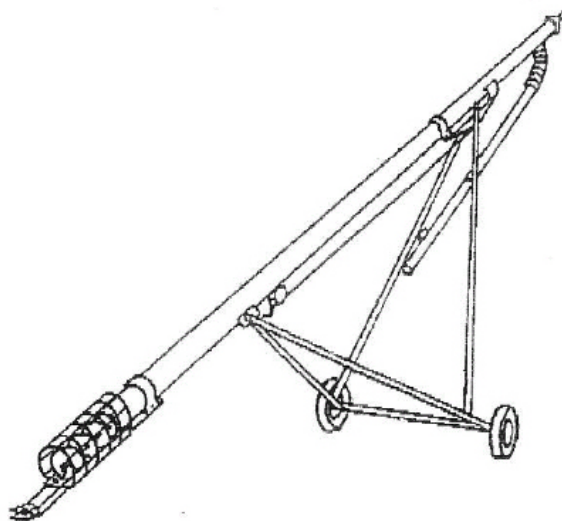


Harco Portable Seed – Fertilizer Fill Auger



Features

- Allows use of multiple gravity boxes, trucks, etc.
- Used to supply seed and/or fertilizer to drill or planters
- Utilizes Many Westfield Components

Standard Equipment

21' Hydraulic Drive Auger (less hoses and ends)
 Adjustable undercarriage with 15" rims
 Detachable Drawbar
 Two Section 14' Telescoping Downspout
 13' Clearance at Spout

Model	Description	Price	Freight
DF2106T	21' Hydraulic Auger with Undercarriage	\$2929	\$176
DF2106BT	21' Hydraulic Auger with Undercarriage, Bristle flighting	\$3368	\$202

Options

A103	Poly Hopper	\$95	\$5
A143	Three Section 14' Telescoping Downspout	\$216	\$11
D1212	12 Volt Electric On/Off Solenoid Kit	\$234	\$12
	Set-up - Net	\$126	
	Tires One Pair of Used Tires With New Tubes - Net	\$45	

-Prices Subject to change without notice-