

VALVES & COUPLERS

EFFECTIVE AUGUST 24, 2009



List Price Sheet

PLEASE ORDER VALVES IN BOX QUANTITIES.

BOLTED BALL VALVES POLYPROPYLENE WITH STAINLESS STEEL BOLTS

Blue Handle Part Number	Yellow Handle Part Number	Description	Box Quantity	List Price Each
60540	61115	1/2" Full Port	24	\$ 25.65
60541	61116	3/4" Full Port	24	25.65
60542	61117	1" Standard Port	24	25.65
60543	61118	1" Full Port	24	29.90
61734	61119	1-1/4" Standard Port	24	29.90
60527	61120	1-1/4" Full Port	24	38.22
60526	61121	1-1/2" Full Port	24	38.22
60544	61125	1-1/2" Full Port Nozzle	12	52.26
60529	61122	2" Standard Port	24	37.10
62046	—	2" Standard Port M x F	24	37.10
60545	61126	2" Standard Port Nozzle	12	53.86
60528	61123	2" Full Port	12	54.19
61876	—	2" Full Port M x F	12	56.77
60546	61127	2" Full Port Nozzle	9	73.54
61720	61124	3" Full Port	8	130.64
62047	—	3" Full Port M x F	8	130.64
62787	62788	4" Full Port	4	262.89

NOTE: Blue handles are Norwesco branded; Yellow handles are blank.

COMPACT BOLTED BALL VALVES

Blue Handle Part Number	Yellow Handle Part Number	Description	Box Quantity	List Price Each
62286	62308	2" Full Port M x F	12	\$ 42.73
62287	62309	2" Full Port F x F	12	42.73
62288	62310	2" Full Port M x M Coupler	12	42.73
62314	62313	2" Full Port F x M Coupler	12	42.73

NOTE: Blue handles are Norwesco branded; Yellow handles are blank.

SINGLE UNION BALL VALVES POLYPROPYLENE

Part Number	Description	Box Quantity	List Price Each
60409	1/2" Single Union	24	\$ 10.81
60410	3/4" Single Union	24	11.76
60411	1" Single Union	24	15.01
60412	1-1/4" Single Union	12	25.03
60413	1-1/2" Single Union	12	30.54
60414	2" Single Union	12	39.17
60415	3" Single Union	4	115.94
60479	1" 45° Nozzle Valve	24	15.64

PLEASE ORDER MULTI-PART VALVES AND COUPLERS IN BOX QUANTITIES.

MULTI-PART BALL VALVES POLYPROPYLENE

Part Number	Description	Box Quantity	List Price Each
60417	3/4" True Union	24	\$ 34.31
60418	2" Multi-Port	12	48.57

STAINLESS STEEL BALL VALVES

Part Number	Description	List Price Each
60480	3/8" Full Port	\$ 34.65
60481	1/2" Full Port	38.38
60482	3/4" Full Port	54.35
60483	1" Full Port	73.46
60484	1-1/4" Full Port	111.12
60485	1-1/2" Full Port	157.93
60487	2" Full Port	240.66
60488	3" Full Port	769.28

CAM ACTION COUPLERS & ADAPTERS POLYPROPYLENE WITH 304 STAINLESS STEEL HANDLES

Part Number	Description	Box Qty.	List Price Each	Part Number	Description	Box Qty.	List Price Each	Part Number	Description	Box Qty.	List Price Each
61199	1/2" A	24	\$ 3.45	61223	1-1/4" A	24	\$ 3.91	61301	2" 90° C	24	\$17.59
61255	1/2" B	24	9.39	61267	1-1/4" B	24	12.82	61277	2" D	24	15.00
61256	1/2" C	24	9.39	61268	1-1/4" C	24	12.82	61302	2" 90° D	24	17.59
61257	1/2" D	24	9.39	61269	1-1/4" D	24	12.82	61243	2" E	24	5.78
61203	1/2" E	24	3.81	61227	1-1/4" E	24	4.35	61244	2" F	24	5.78
61204	1/2" F	24	3.81	61228	1-1/4" F	24	4.35	61291	2" 90° F	24	8.37
61258	1/2" DC	24	9.07	61274	1-1/4" DC	24	12.70	61278	2" DC	24	15.00
61214	1/2" DP	24	3.45	61238	1-1/4" DP	24	4.16	61246	2" DP	24	5.61
61207	3/4" A	24	3.45	61231	1-1/2" A	24	4.20	61247	3" A	24	11.15
61259	3/4" B	24	9.39	61293	1-1/2" 90° A	24	6.94	61279	3" B	24	24.72
61260	3/4" C	24	9.39	61271	1-1/2" B	24	12.70	61280	3" C	24	24.72
61261	3/4" D	24	9.39	61272	1-1/2" C	24	12.70	61281	3" D	24	24.72
61211	3/4" E	24	3.81	61299	1-1/2" 90° C	24	14.83	61251	3" E	24	14.22
61212	3/4" F	24	3.81	61273	1-1/2" D	24	12.70	61252	3" F	24	14.22
61258	3/4" DC	24	9.07	61300	1-1/2" 90° D	24	14.83	61282	3" DC	24	24.72
61214	3/4" DP	24	3.45	61235	1-1/2" E	24	4.38	61254	3" DP	24	11.15
61215	1" A	24	3.77	61236	1-1/2" F	24	4.38	62789	4" A	8	18.33
61263	1" B	24	10.71	61289	1-1/2" 90° F	24	8.03	62790	4" B	8	48.54
61264	1" C	24	10.71	61274	1-1/2" DC	24	12.70	62791	4" C	8	48.54
61265	1" D	24	10.71	61238	1-1/2" DP	24	4.16	62792	4" D	8	48.54
61219	1" E	24	4.31	61239	2" A	24	4.98	62793	4" E	8	18.33
61220	1" F	24	4.31	61296	2" 90° A	24	7.40	62794	4" F	8	18.33
61266	1" DC	24	10.39	61275	2" B	24	15.00	62795	4" DC	8	35.32
61222	1" DP	24	3.77	61276	2" C	24	15.00	62796	4" DP	8	14.57

NOTE: 1/2" couplers and adapters will interchange with 3/4" couplers and adapters. Only the threads and barbs are 1/2".
1-1/4" couplers and adapters will interchange with 1-1/2" couplers and adapters. Only the threads and barbs are 1-1/4".

PLEASE ORDER FITTINGS IN BAG QUANTITIES.

SCHEDULE 80 THREADED POLYPROPYLENE FITTINGS

POLY TEES

Part Number	Description	Box/Bag Quantity	List Price Each
62464	3/8"	10/Bag	\$ 2.43
62209	1/2"	10/Bag	2.79
62210	3/4"	10/Bag	2.91
62211	1"	10/Bag	4.05
62212	1-1/4"	10/Bag	4.86
62213	1-1/2"	—	7.05
62190	2"	—	8.93
62214	3"	—	39.17

90° ELBOWS

Part Number	Description	Box/Bag Quantity	List Price Each
62465	3/8"	10/Bag	\$ 2.57
62215	1/2"	10/Bag	2.33
62216	3/4"	10/Bag	2.66
62217	1"	10/Bag	3.11
62218	1-1/4"	10/Bag	3.85
62219	1-1/2"	10/Bag	6.01
62191	2"	10/Bag	7.20
62220	3"	—	34.47

POLY PIPE COUPLING

Part Number	Description	Box/Bag Quantity	List Price Each
62461	3/8"	10/Bag	\$ 2.66
62237	1/2"	10/Bag	2.60
62238	3/4"	10/Bag	2.60
62239	1"	10/Bag	3.11
62240	1-1/4"	10/Bag	4.17
62241	1-1/2"	10/Bag	6.96
62194	2"	10/Bag	7.67
62242	3"	—	21.93

POLY CROSS

Part Number	Description	Box/Bag Quantity	List Price Each
62262	3/4"	5/Bag	\$11.51
62263	1"	5/Bag	12.06
62264	1-1/4"	—	16.78
62265	1-1/2"	—	17.83
62202	2"	—	21.03

POLY NIPPLES

Part Number	Description	Box/Bag Quantity	List Price Each
62459	3/8" x Short	10/Bag	\$.82
62221	1/2" x Short	10/Bag	.91
62222	1/2" x 3"	10/Bag	1.60
60554	3/4" x Short	10/Bag	1.45
62223	3/4" x 4"	10/Bag	1.72
62224	3/4" x 6"	10/Bag	2.10
60555	1" x Short	10/Bag	1.70
62225	1" x 4"	10/Bag	1.84
62226	1" x 6"	10/Bag	2.29
60556	1-1/4" x Short	10/Bag	1.76
62227	1-1/4" x 4"	10/Bag	2.40
62228	1-1/4" x 6"	10/Bag	2.66
60547	1-1/2" x Short	10/Bag	2.51
62229	1-1/2" x 4"	10/Bag	4.98
62230	1-1/2" x 6"	10/Bag	5.93
60548	2" x Short	10/Bag	2.76
62192	2" x 4"	10/Bag	5.86
62193	2" x 6"	10/Bag	6.73
61769	3" x Short	—	9.36
62232	3" x 6"	—	14.19
62467	4" x Short	—	13.95

REDUCER NIPPLES

Part Number	Description	Box/Bag Quantity	List Price Each
62455	1/2" x 3/8"	10/Bag	\$ 1.26
62233	3/4" x 1/2"	10/Bag	1.37
62456	1" x 1/2"	10/Bag	1.60
62234	1" x 3/4"	10/Bag	1.60
62457	1-1/4" x 3/4"	10/Bag	1.72
62235	1-1/4" x 1"	10/Bag	1.81
62458	1-1/2" x 1"	10/Bag	2.48
62236	1-1/2" x 1-1/4"	10/Bag	1.98
60549	2" x 1-1/2"	10/Bag	2.22
61768	3" x 2"	—	8.62
62938	4" x 3"	—	13.32

REDUCER BUSHING

Part Number	Description	Box/Bag Quantity	List Price Each
63604	3/8" x 1/8"	10/Bag	\$ 1.60
62466	3/8" x 1/4"	10/Bag	1.60
62267	1/2" x 1/4"	10/Bag	1.60
62268	1/2" x 3/8"	10/Bag	1.60
62269	3/4" x 1/8"	10/Bag	1.60
62270	3/4" x 1/4"	10/Bag	1.60
62271	3/4" x 3/8"	10/Bag	1.60
62272	3/4" x 1/2"	10/Bag	1.60
62273	1" x 1/8"	10/Bag	1.70
62274	1" x 1/4"	10/Bag	1.70
62275	1" x 1/2"	10/Bag	1.70
62276	1" x 3/4"	10/Bag	1.70
62277	1-1/4" x 3/4"	10/Bag	1.76
62278	1-1/4" x 1"	10/Bag	1.76
62279	1-1/2" x 3/4"	10/Bag	2.48
62280	1-1/2" x 1"	10/Bag	2.48
62281	1-1/2" x 1-1/4"	10/Bag	2.48
62195	2" x 3/4"	10/Bag	2.85
62196	2" x 1"	10/Bag	2.85
62197	2" x 1-1/4"	10/Bag	2.85
62198	2" x 1-1/2"	10/Bag	2.85
62282	3" x 1-1/2"	—	10.18
60330	3" x 2"	—	8.62

POLY PIPE PLUG

Part Number	Description	Box/Bag Quantity	List Price Each
62255	1/2"	10/Bag	\$ 1.60
62256	3/4"	10/Bag	1.60
62257	1"	10/Bag	1.60
62258	1-1/4"	10/Bag	1.76
62259	1-1/2"	10/Bag	2.82
62201	2"	10/Bag	2.97
62260	3"	—	10.97

STREET ELBOW 45°

Part Number	Description	Box/Bag Quantity	List Price Each
62907	3/4"	10/Bag	\$ 4.10
62908	1"	10/Bag	5.99
62909	1-1/4"	10/Bag	7.43
62910	1-1/2"	10/Bag	7.94
62911	2"	10/Bag	9.39

STREET ELBOW 90°

Part Number	Description	Box/Bag Quantity	List Price Each
62460	3/8"	10/Bag	\$ 2.57
62243	1/2"	10/Bag	2.48
62244	3/4"	10/Bag	2.66
62245	1"	10/Bag	3.11
62246	1-1/4"	10/Bag	3.98
62247	1-1/2"	10/Bag	6.11
62199	2"	10/Bag	7.37
62248	3"	—	34.47

POLY PIPE CAP

Part Number	Description	Box/Bag Quantity	List Price Each
62462	1/2"	10/Bag	\$ 3.20
62250	3/4"	10/Bag	3.20
62251	1"	10/Bag	3.20
62463	1-1/4"	10/Bag	3.81
62253	1-1/2"	10/Bag	5.17
62200	2"	10/Bag	5.80
62254	3"	—	19.59

POLYPROPYLENE KING NIPPLES

Part Number	Description	Box/Bag Quantity	List Price Each
61319	1-1/2"	24/Box	\$ 2.29
61861	2"	24/Box	2.81
61321	3"	24/Box	8.10
62468	4"	—	18.28

POLYPROPYLENE HOSE BARBS

Part Number	Description	Box/Bag Quantity	List Price Each
61303	1/2"	50/Bag	\$.78
61304	3/4"	50/Bag	.91
61305	1"	25/Bag	1.15
62469	1-1/4" MPT x 1" HB Elbow	—	1.84

POLYPROPYLENE SWITCH ADAPTERS

Part Number	Description	Box/Bag Quantity	List Price Each
61326	3/4" x 1/4"	24/Box	\$ 3.61
61327	3/4" x 3/8"	24/Box	3.61

Switch adapters may be used with female couplers — 1/2" B #61255 or 3/4" B #61259. See page 2.

PLEASE ORDER STRAINERS IN BOX QUANTITIES.

Y-LINE STRAINERS POLYPROPYLENE

Part Number	Description	Box Quantity	List Price Each
61472	1/2" w/20 Mesh Screen	12	\$ 18.54
61473	1/2" w/40 Mesh Screen	12	18.54
61474	1/2" w/80 Mesh Screen	12	21.13
61475	3/4" w/20 Mesh Screen	12	18.54
61476	3/4" w/40 Mesh Screen	12	18.54
61477	3/4" w/80 Mesh Screen	12	21.13
61478	1" w/20 Mesh Screen	12	23.06
61479	1" w/40 Mesh Screen	12	23.06
61480	1" w/80 Mesh Screen	12	25.77
61738	1-1/4" w/20 Mesh Screen	12	23.06
61740	1-1/4" w/40 Mesh Screen	12	23.06
61741	1-1/4" w/80 Mesh Screen	12	25.77
61488	1-1/2" w/20 Mesh Screen	12	48.22
61489	1-1/2" w/40-20 Mesh Screen	12	50.48
61490	1-1/2" w/80-20 Mesh Screen	12	50.48
61493	2" w/20 Mesh Screen	12	48.22
61494	2" w/40-20 Mesh Screen	12	50.48
61495	2" w/80-20 Mesh Screen	12	50.48
62337	3" w/6 Mesh Screen	—	295.14
62338	3" w/12 Mesh Screen	—	295.14
62339	3" w/20 Mesh Screen	—	295.14
62340	3" w/40 Mesh Screen	—	295.14

T-LINE STRAINERS POLYPROPYLENE

Part Number	Description	Box Quantity	List Price Each
61459	1/2" w/20 Mesh Screen	12	\$ 13.70
61460	1/2" w/40 Mesh Screen	12	13.70
61461	1/2" w/80 Mesh Screen	12	13.70
61464	3/4" w/20 Mesh Screen	12	13.70
61465	3/4" w/40 Mesh Screen	12	13.70
61466	3/4" w/80 Mesh Screen	12	13.70
61469	1" w/20 Mesh Screen	12	13.70
61470	1" w/40 Mesh Screen	12	13.70
61471	1" w/80 Mesh Screen	12	13.70

Y-LINE STRAINER REPLACEMENT PARTS

Part Number	Description	List Price Each
61452	1/2" & 3/4" EPDM Gasket	\$.82
61307	1/2" YLS w/o Screen	13.76
61308	3/4" YLS w/o Screen	13.76
61449	20 Mesh Screen for 1/2" & 3/4"	7.38
61450	40 Mesh Screen for 1/2" & 3/4"	8.68
61451	80 Mesh Screen for 1/2" & 3/4"	9.19
61750	1" & 1-1/4" EPDM Gasket	.93
61309	1" YLS w/o Screen	16.65
61748	1-1/4" YLS w/o Screen	16.65
61749	20 Mesh Screen for 1" & 1-1/4"	9.19
61746	40 Mesh Screen for 1" & 1-1/4"	9.19
61747	80 Mesh Screen for 1" & 1-1/4"	10.48
61561	1-1/2" & 2" EPDM Gasket	1.09
61287	1-1/2" YLS w/o Screen	29.30
61288	2" YLS w/o Screen	29.30
61567	Cap only for 1-1/2" & 2" w/Plug & O-Ring	12.53
62306	6 Mesh Screen for 1-1/2" & 2"	22.26
62307	12 Mesh Screen for 1-1/2" & 2"	22.26
61508	20 Mesh Screen for 1-1/2" & 2"	17.26
61509	40/20 Mesh Screen for 1-1/2" & 2"	21.77
61510	80/20 Mesh Screen for 1-1/2" & 2"	21.77
62266	3" EPDM Body O-Ring	3.26
62283	3" EPDM Plug O-Ring	.28
62334	3" YLS w/o Screen	199.68
62231	6 Mesh Screen for 3"	80.48
62249	12 Mesh Screen for 3"	80.48
62252	20 Mesh Screen for 3"	80.48
62261	40 Mesh Screen for 3"	80.48
62400	80 Mesh Screen for 3"	80.48
62335	3" Cap only w/Plug & Plug O-Ring	59.07

T-LINE STRAINER REPLACEMENT PARTS

Part Number	Description	List Price Each
61537	1/2" - 1" EPDM Gasket	\$.76
61283	1/2" TLS w/o Screen	10.32
61284	3/4" TLS w/o Screen	10.32
61285	1" TLS w/o Screen	10.32
61404	20 Mesh Screen	5.64
61405	40 Mesh Screen	5.64
61406	80 Mesh Screen	5.64

PLEASE ORDER VALVES IN BOX QUANTITIES.

FULL PORT FLANGE VALVES

Blue Handle Part Number	Yellow Handle Part Number	Description	Box Quantity	List Price Each
63027	63028	1" Full Port Flange x Flange	24	\$ 29.90
63122	63123	2" Full Port Compact Flange x Flange	12	42.73
63124	63125	3" Full Port Flange x Flange	8	130.64

STAINLESS STEEL WORM SCREW HOSE CLAMPS FOR FLANGE FITTINGS

Part Number	Description	List Price Each
62932	1"	\$ 7.33
62933	2"	9.18
62934	3"	10.66

EPDM FLANGE GASKET FOR FLANGE FITTINGS

Part Number	Description	List Price Each
62935	1"	\$.77
61574	2"	.94
61575	3"	1.04

FLANGE FITTINGS 1" FULL PORT

Part Number	Description	List Price Each
62912	1" Flange Tee	\$ 4.03
62913	1" Flange Elbow	4.03
62914	1" Flange Coupling	3.14
63098	1" Flange x 3/4" MPT	1.41
62915	1" Flange x 1" MPT	1.41
63099	1" Flange x 1-1/4" MPT	1.41
62916	1" Flange x 1" FPT	2.19
62917	1" Flange x 3/4" HB	1.26
62918	1" Flange x 1" HB	1.26
62919	1" Flange x 1-1/4" HB	1.26
62920	1" Flange x 3/4" HB 90°	1.51
62921	1" Flange x 1" HB 90°	1.51
62922	1" Flange x 1-1/4" HB 90°	1.51
62923	1" Flange Cross	11.87
62924	1" Flange Plug	1.34
62925	1" Flange Plug with 1/4" FPT	4.70

2" FULL PORT (continued)

Part Number	Description	List Price Each
63106	2" Flange x 2" HB	\$ 3.14
63107	2" Flange x 1-1/2" HB 90°	5.82
63108	2" Flange x 2" HB 90°	5.82
63109	2" Flange Cross	21.27
63110	2" Flange Plug	3.54
62927	2" Flange x 1" Flange Reducing Coupling	9.39
62926	2" Flange x 2" Male Coupler	5.64

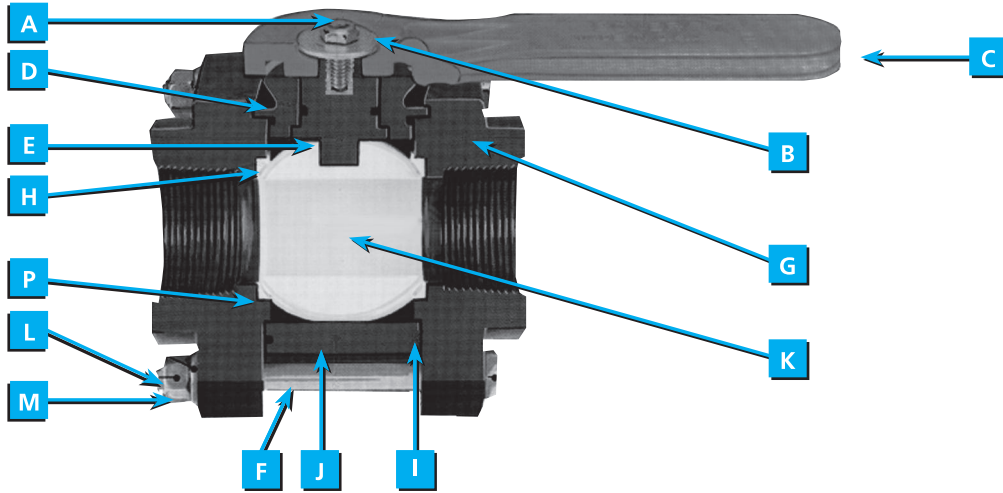
3" FULL PORT

63111	3" Flange Tee	\$ 25.06
63112	3" Flange Elbow	21.93
63113	3" Flange Coupling	10.97
63114	3" Flange x 3" MPT	8.47
63115	3" Flange x 2" HB	9.56
63116	3" Flange x 3" HB	9.56
63117	3" Flange x 2" HB 90°	18.64
63118	3" Flange x 3" HB 90°	18.64
63119	3" Flange Cross	45.44
63120	3" Flange Plug	9.39
62928	3" Flange x 2" Flange Reducing Coupling	15.67
63121	3" Flange x 3" Male Coupler	11.90

2" FULL PORT

63100	2" Flange Tee	\$ 8.51
63101	2" Flange Elbow	7.34
63102	2" Flange Coupling	9.31
63103	2" Flange x 2" MPT	2.78
63104	2" Flange x 2" FPT	7.83
63105	2" Flange x 1-1/2" HB	3.14

BOLTED BALL VALVE REPLACEMENT PARTS



PART NUMBERS AND LIST PRICE															
ITEM CODE & DESCRIPTION	1/2" FP	3/4" FP	1" STD	1" FP	1-1/4" STD	1-1/4" FP	1-1/2" FP	2" STD	2" FP Compact	2" FP	3" FP	4" FP	1-1/2" FPNZ	2" STDNZ	2" FPNZ
A Stem Screw	61347	61347	61347	61347	61347	—	—	—	—	—	—	—	—	—	—
	.27	.27	.27	.27	.27	—	—	—	—	—	—	—	—	—	—
B Stem Cap Screw & Flat Washer	—	—	—	—	—	61350	61350	61350	61350	61351	61351	61351	61350	61350	61351
	—	—	—	—	—	.62	.62	.62	.62	.77	.77	.77	.62	.62	.77
C-1 Yellow Blank Handle	61783	61783	61783	61784	61784	61785	61785	61785	61785	61786	61786	62838	61787	61787	61788
	2.13	2.13	2.13	2.39	2.39	3.99	3.99	3.99	3.99	6.17	6.17	6.17	4.61	4.61	6.17
C-2 Norwesco Blue Handle	61721	61721	61721	61722	61722	61723	61723	61723	61723	61724	61724	62839	61725	61725	61726
	2.13	2.13	2.13	2.39	2.39	3.99	3.99	3.99	3.99	6.17	6.17	6.17	4.61	4.61	6.17
D Viton Stem O-Ring(s)*	61497	61497	61497	61497	61497	61425	61425	61425	61425	61447	61447	62817	61425	61425	61447
	1.06	1.06	1.06	1.06	1.06	1.60	1.60	1.60	1.60	2.13	2.13	4.61	1.60	1.60	2.13
E Valve Stem w/Viton O-Ring(s)	61359	61359	61359	61446	61446	61360	61360	61360	61360	61361	61361	62818	61360	61360	61361
	2.13	2.13	2.13	2.13	2.13	4.26	4.26	4.26	4.26	6.38	6.38	16.89	4.26	4.26	6.38
F Stainless Steel Bolt, Hex Nut & Lock Washer	61421	61421	61421	61422	61422	61423	61423	61423	61424	61424	62208	62819	61423	61423	61424
	1.81	1.81	1.81	2.55	2.55	4.57	4.57	4.57	5.00	5.00	5.85	9.06	4.57	4.57	5.00
G End Flange w/Teflon® Seat	62051	62052	62053	62054	62055	62056	62057	62059	62316	62060	62065	62820	62057	62059	62060
	5.85	5.85	5.85	7.98	7.98	10.76	10.76	10.76	12.23	14.89	31.91	41.49	10.76	10.76	14.89
G Male End Flange w/Teflon® Seat	—	—	—	—	—	—	—	—	62064	62317	62063	62066	—	—	—
	—	—	—	—	—	—	—	—	10.11	12.23	15.96	32.98	—	—	—
G Male Coupler End Flange w/Teflon® Seat	—	—	—	—	—	—	—	—	62318	—	—	—	—	—	—
	—	—	—	—	—	—	—	—	19.68	—	—	—	—	—	—
G Flanged End Flange w/Teflon® Seat	—	—	—	62929	—	—	—	—	62930	—	62931	—	—	—	—
	—	—	—	7.98	—	—	—	—	12.23	—	32.98	—	—	—	—
H Teflon® Seat	62077	62077	62077	62076	62076	62075	62075	62075	62074	62074	62073	62821	62075	62075	62074
	2.13	2.13	2.13	2.66	2.66	3.19	3.19	3.19	4.26	4.26	7.45	15.36	3.19	3.19	4.26
I Large Body EPDM O-Ring Seal	61378	61378	61378	61379	61379	61380	61380	61380	62319	61381	61382	62822	61380	61380	61381
	1.06	1.06	1.06	1.60	1.60	1.60	1.60	1.60	3.09	3.09	3.72	7.68	1.60	1.60	3.09
J Valve Body	61383	61383	61383	61384	61384	61385	61385	61385	62315	61386	61387	62823	61385	61385	61386
	5.32	5.32	5.32	6.12	6.12	6.91	6.91	6.91	7.98	12.23	20.43	44.54	6.91	6.91	12.23
K Valve Ball	61388	61388	61388	61389	61389	61390	61390	61390	62312	61391	61392	62824	61390	61390	61391
	4.79	4.79	4.79	5.32	5.32	8.78	8.78	8.78	10.64	10.64	21.28	29.95	8.78	8.78	10.64
N Top Flange w/Teflon® Seat for Nozzle	—	—	—	—	—	—	—	—	—	—	—	—	62058	62061	62062
	—	—	—	—	—	—	—	—	—	—	—	—	20.73	19.68	23.40
O Nozzle Pipe	—	—	—	—	—	—	—	—	—	—	—	—	61400	61401	61401
	—	—	—	—	—	—	—	—	—	—	—	—	5.32	6.12	6.12
P Seat O-Ring	—	—	—	—	—	—	—	—	—	—	62114	—	—	—	—
	—	—	—	—	—	—	—	—	—	—	2.06	—	—	—	—

*4" requires 2 stem o-rings.

SINGLE UNION BALL VALVE REPLACEMENT PARTS

Size	Repair Kit Includes 3 EPDM O-Rings & 2 Teflon® Seats	Optional Repair Kit Includes 3 Viton O-Rings	Handles	Valve Stem with EPDM O-Ring
1/2"	60430	60437	60444	60451
	\$ 2.35	\$ 3.36	\$ 1.67	\$.95
3/4"	60431	60438	60445	60452
	3.07	5.04	2.13	1.34
1"	60432	60439	60446	60453
	3.91	6.10	2.93	1.34
1-1/4"	60433	60440	60447	60454
	4.48	6.83	3.14	1.68
1-1/2"	60434	60441	60448	60455
	6.16	7.56	3.65	2.52
2"	60435	60442	60449	60456
	7.84	11.20	5.49	2.52
3"	60436*	60443**	60450	60457
	16.23	30.80	13.82	6.61

*Includes 4 EPDM O-Rings & 2 Teflon® Seats

**Includes 4 Viton O-Rings

MULTI-PORT BALL VALVE REPLACEMENT PARTS

Size	Repair Kit Includes 3 EPDM O-Rings & 2 Teflon® Seats	Optional Repair Kit Includes 3 Viton O-Rings	T-Ball	Handles	Valve Stem with EPDM O-Ring
3/4"	61733	60438	60429	61735	60452
	\$ 7.05	\$ 5.04	\$ 6.91	\$ 2.80	\$ 1.34
2"	60435	60442	60428	61736	60456
	7.84	11.20	10.76	7.39	2.52

STAINLESS STEEL VALVE REPLACEMENT PARTS

Description	Size & Part Number							
	3/8"	1/2"	3/4"	1"	1-1/4"	1-1/2"	2"	3"
Repair Kit*	62374	62375	62376	62377	62378	62379	62380	62381
	\$ 4.15	\$ 4.61	\$ 5.71	\$ 7.06	\$ 15.27	\$ 25.93	\$ 36.24	\$ 58.21
Handle	62369	62370	62370	62371	62371	62372	62372	62373
	6.54	7.52	7.52	10.76	10.76	14.36	14.36	30.56

*Kit includes 2 Teflon® seats, 1 Teflon® body seal and 2 Teflon® stem seals.

CAM ACTION COUPLER – REPLACEMENT PARTS LIST

Coupler Description	EPDM Gasket (Standard)	Key Ring	Stainless Steel Pin	Stainless Steel Handle	Polypropylene Shims	Locking Pin
1/2"	61570	61589	61582	61594	61715	—
	\$.55	\$.49	\$.46	\$ 2.01	\$.38	—
3/4"	61570	61589	61582	61594	61715	—
	.55	.49	.46	2.01	.38	—
1"	61571	61589	61582	61594	61716	—
	.55	.49	.46	2.01	.38	—
1-1/4"	61572	61589	61585	61595	61717	63545
	.82	.49	.91	2.71	.56	.48
1-1/2"	61572	61589	61585	61595	61717	63545
	.82	.49	.91	2.71	.56	.48
2"	61574	61589	61585	61595	61718	63545
	.94	.49	.91	2.71	.84	.48
3"	61575	61589	61584	61596	61719	—
	1.04	.49	1.49	5.15	1.44	—
4"	62797	61589	61584	61596	—	—
	3.19	.49	1.49	5.15	—	—

PLEASE ORDER LIDS IN BOX QUANTITIES.

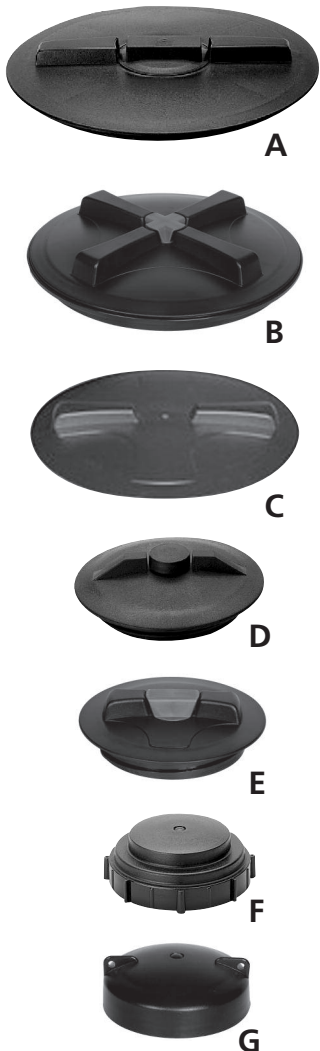
NORWESCO HINGED LIDS



Part Number	Description	Box Quantity	List Price Each
62532	16" Hinged lid with ring & vent	6	\$ 81.46
62826	16" Hinged lid with vent assembly, without ring	6	59.48
63390	16" Hinged ventless lid, with ring	6	81.46
62827	Vent assembly	—	31.49
62828	Ring assembly	—	31.49
62829	Hinge assembly	—	4.77
* 63391	EPDM gasket	—	36.44
** 62830	EPDM O-ring	—	24.43
62831	Neoprene O-ring	—	24.43

*Lid with red center cap or ventless lid requires this gasket.
 **Lid with black center cap requires this O-ring.

NORWESCO TANK LIDS



Item Code	Part Number	Description	Box Quantity	List Price Each
	60038	16" Lid and ring with 4" center lid/air vent	14	\$ 30.69
A	60011	16" Lid with 4" center lid/air vent	19	26.88
B	63485	16" Lid and ring with blue snap-in vent	12	27.49
	60012	16" Ring only	—	9.06
	60367	16" Lid, ventless with ring	10	33.64
C	60365	16" Lid, ventless	—	27.49
	60019	4" Lid (air vent assembly for 16" lid, 60038 and 60011)	—	10.90
	63539	Blue snap-in vent for 16" lid	—	3.04
	60032	8" Lid, ring and air vent	32	19.94
D	60002	8" Lid with air vent	32	14.29
	60003	8" Ring only (for 60002 lid)	—	7.22
	61727	Snap on air vent for 8" lid only (60002)	—	5.49
E	63480	8" Lid with blue snap-in vent	28	12.26
	63482	Blue snap-in vent for 8" lid	—	1.38
	60030	7" Lid (for applicator tank without ring)	12	56.31
	60423	Gasket for 7" lid	—	5.75
F	60322	5" Lid with ball check air vent (for tanks manufactured prior to 2/1/00)	72	11.06
G	63484	5" Lid with ball check air vent (for tanks manufactured after 2/1/00)	48	8.41
	63264	5" Lid with 2" FPT (does not include vent cap)	45	8.76
	63266	2" MPT vent cap with poly screen	10/bag	14.83
	60366	EPDM gasket for 5" lid, 60322, 63264 or 63484	—	6.12
	62531	18" lanyard for 8" and 16" non-hinged lid	—	.89
	62941	Ethafoam gasket for 16" lid	—	6.15
	60081	Stainless steel screw for 8" and 16" rings	—	.21
	67374	Strainer basket for 16" fill-opening (7" depth)	—	69.16

TANK REPAIR KITS

Part Number	Description	List Price Each
60221	Poly welding gun and rod	\$173.12
61879	Poly welding rod, 30'	56.34
67412	Poly patch kit	24.43

BULKHEAD FITTINGS—STANDARD WITH EPDM GASKET

Part Number	Description	Hole Size Req'd in Tank for Installation	Box Quantity	List Price Each
62834	1/2" Heavy duty double threaded polypropylene fitting	1-7/16"	100	\$ 6.12
60401	3/4" Double threaded polypropylene fitting	1-7/16"	100	4.88
60402	EPDM gasket for 1/2" and 3/4" (62834 & 60401)		—	1.09
60360	Type B Viton gasket for 1/2" and 3/4" (62834 & 60401)		—	12.14
62798	3/4" Heavy duty double threaded polypropylene fitting	1-5/8"	100	6.12
62799	EPDM gasket 3/4" (62798)		—	1.14
62800	Type B Viton gasket for 3/4" (62798)		—	18.12
60427	1" Double threaded polypropylene fitting	2-1/4"	100	6.12
60403	1-1/4" Double threaded polypropylene fitting	2-1/4"	100	6.12
63065	1-1/4" Anti-vortex polypropylene fitting	2-1/4"	100	7.84
60404	EPDM gasket for 1" and 1-1/4" (60427, 60403 & 63065)		—	1.52
60361	Type B Viton gasket for 1" and 1-1/4" (60427, 60403 & 63065)		—	15.20
62398	Anti-vortex adapter for 1-1/4" (60403)		10/Bag	2.72
60124	1-1/2" Double threaded polypropylene fitting	3"	50	9.18
63279	Siphon tube, 1-1/2" x 12" long		—	17.41
60405	2" Double threaded polypropylene fitting	3"	50	8.76
61767	2" Double threaded 316 SS fitting, less gasket	3"	13	145.87
60406	EPDM gasket for 1 1/2" and 2" (60124, 60405, 63481 & 61767)		—	2.10
60523	Type B Viton gasket for 1 1/2" and 2" (60124, 60405, 63481 & 61767)		—	38.68
63481	2" Standard duty double threaded polypropylene fitting (Maximum tank wall thickness = 3/8")	3"	50	7.52
60337	2" Heavy duty double threaded polypropylene fitting with siphon tube	3-1/4"	25	17.51
60336	EPDM gasket for 2" (60337)		—	3.33
60008	Type B Viton gasket for 2" (60337)		—	44.54
60335	Siphon tube, 2" short		—	5.99
63262	Siphon tube, 2" x 12" long		—	17.73
63266	2" MPT vent cap with poly screen		10/Bag	14.83
63316	2" MPT vent cap, anti-vortex, without screen		25/Bag	13.32
62399	Anti-vortex adapter for 2" bulkhead fitting		10/Bag	2.81
60021	2" Polypropylene dust plug		—	1.38
new 63668	2" Self-aligning double threaded polypropylene fitting Designed to install in dome of vertical tank above the liquid level.	4-1/2"	10	141.50
60331	EPDM gasket for 2" self-aligning (63668)		—	7.64
60351	Type B Viton gasket for 2" self-aligning (63668)		—	61.29
62299	3" Double threaded polypropylene fitting	4-1/2"	12	38.38
60339	3" Double threaded polypropylene fitting with 2" reducer & siphon tube	4-1/2"	12	54.68
60331	EPDM gasket for 3" (62299 & 60339)		—	7.64
60351	Type B Viton gasket for 3" (62299 & 60339)		—	61.29
60330	2" Polypropylene reducer for 3"		—	8.62
60327	Siphon tube, 3" short		—	13.82
63263	Siphon tube, 3" x 12" long		—	25.65
62171	4" Double threaded polypropylene fitting	5-3/4"	4	125.18
62785	EPDM gasket for 4" (62171)		—	27.49
62786	Type B Viton gasket for 4" (62171)		—	132.10
62714	Siphon tube for 4"		—	103.24

BOLTED FITTINGS

POLYPROPYLENE DOUBLE THREADED BOLTED FITTINGS

Part Number	Description	List Price Each
60502	3/4" Polypropylene double threaded bolted fitting with SS bolts & EPDM gaskets	\$ 21.77
60505	1" Polypropylene double threaded bolted fitting with SS bolts & EPDM gaskets	21.77
60498	EPDM gasket for 3/4" & 1" (2 required)	3.04
60355	Type B Viton gasket for 3/4" & 1" (2 required)	16.89
60513	1-1/2" Polypropylene double threaded bolted fitting with SS bolts & EPDM gaskets	35.76
60516	2" Polypropylene double threaded bolted fitting with SS bolts & EPDM gaskets	35.76
60497	EPDM gasket for 1-1/2" & 2" (2 required)	2.98
60356	Type B Viton gasket for 1-1/2" & 2" (2 required)	29.03
62471	3" Polypropylene double threaded bolted fitting with SS bolts & EPDM gaskets	43.38
62048	EPDM gasket for 3" (2 required)	10.76
60602	Type B Viton gasket for 3" (2 required)	78.34

STAINLESS STEEL DOUBLE THREADED BOLTED FITTINGS

63216	1/2" 316 SS double threaded bolted fitting less gasket	\$ 56.34
63035	3/4" 316 SS double threaded bolted fitting less gasket	58.31
62948	1" 316 SS double threaded bolted fitting less gasket	59.80
63205	EPDM gasket for 1/2", 3/4" & 1" (1 required)	5.48
63224	Type B Viton gasket for 1/2", 3/4" & 1" (1 required)	35.33
62950	Cross-linked polyethylene gasket for 1/2", 3/4" & 1" (1 required)	2.00
63036	1-1/4" 316 SS double threaded bolted fitting less gasket	85.15
63041	Cross-linked polyethylene gasket for 1-1/4" (1 required)	2.91
63037	1-1/2" 316 SS double threaded bolted fitting less gasket	85.15
63426	EPDM gasket for 1-1/4" & 1-1/2" (1 required)	6.57
63042	Cross-linked polyethylene gasket for 1-1/2" (1 required)	2.74
63038	2" 316 SS double threaded bolted fitting less gasket	90.09
63206	EPDM gasket for 2" (1 required)	6.47
63225	Type B Viton gasket for 1-1/4", 1-1/2" & 2" (1 required)	50.67
62848	Cross-linked polyethylene gasket for 2" (1 required)	3.27
63039	3" 316 SS double threaded bolted fitting less gasket	205.33
63223	EPDM gasket for 3" (1 required)	12.74
63226	Type B Viton gasket for 3" (1 required)	130.73
63043	Cross-linked polyethylene gasket for 3" (1 required)	4.56
63069	4" 316 SS 8-bolt double threaded bolted fitting with cross-linked polyethylene gasket	767.40
63070	Cross-linked polyethylene gasket for 4" (1 required)	19.61

STAINLESS STEEL SINGLE THREADED BOLTED FITTINGS

62847	2" 316 SS single threaded bolted fitting less gasket	\$ 75.79
63206	EPDM gasket for 2" (1 required)	6.47
63225	Type B Viton gasket for 2" (1 required)	50.67
62848	Cross-linked polyethylene gasket for 2" (1 required)	3.27
63233	3" 316 SS single threaded bolted fitting, anti-vortex, less gasket	180.68
63223	EPDM gasket for 3" (1 required)	12.74
63226	Type B Viton gasket for 3" (1 required)	130.73
63043	Cross-linked polyethylene gasket for 3" (1 required)	4.56

PLEASE ORDER LIDS AND FITTINGS IN BOX QUANTITIES.

ACCESSORIES FOR OEM (RAVEN STYLE) TANKS LIDS / REPLACEMENT FILLWELLS / STRAINER BASKET

Part Number	Description	Box Quantity	List Price
67274	Lid — 5" threaded w/baffle vent (Raven style for tanks manufactured prior to 01/01/01)	60	\$21.82
67237	Lid — 5" V/B w/EPDM gasket (Raven style for tanks manufactured prior to 01/01/01)	—	15.53
67002	Lid — 5" splash guard	50	19.62
67418	Lid — 5" with 3/4" center thread	50	15.66
67399	Lid — 10" threaded with baffle vent	9	21.18
67398	Lid — 10" with fillwell and baffle vent	9	34.37
67355	Lid — 10" threaded / no vent	28	29.98
67077	Lid — 10" threaded with ball vent	28	21.18
67104	Baffle vent for 10" threaded lid	—	6.12
67071	Lid — 10" splash guard	125	28.73
67410	Cap — 2 1/4" (for 10 gallon tank)	—	9.41
67443	Gasket for 10" threaded lid	—	4.71
67076	Lanyard for 10" threaded lid	—	1.10
67072	5" Diameter, flat only	—	15.53
67400	10" Diameter, threaded	—	12.40
67075	10" Diameter, flat only	—	26.71
67375	Strainer basket for 10" fillwell	—	61.99

FITTINGS (STD W/EPDM O-RINGS) / REPLACEMENT O-RINGS

Due to the condition of the tooling used to manufacture these fittings, this product line will be discontinued within the next one to two years. Please begin the process of switching over to the bulkhead fittings shown on page 10 of this price sheet.

Part Number	Description	Hole Size Req'd in Tank for Installation	Box Quantity	List Price
67069	1/4" Brass		50	\$15.20
67158	1/2" Single thread	1-11/16"	120	15.66
67161	1/2" Double thread	1-11/16"	100	15.66
67111	3/4" Single thread	1-11/16"	100	15.66
67160	3/4" Double thread	1-11/16"	100	15.66
67159	1" Single thread	1-11/16"	100	15.66
67162	1" Double thread	1-11/16"	100	15.66
67114	1 1/4" Single thread	2-13/16"	90	18.17
67155	1 1/4" Double thread	2-13/16"	40	18.80
67152	1 1/4" Anti-vortex	2-13/16"	60	18.80
67157	1 1/2" Single thread	2-13/16"	90	18.80
67154	1 1/2" Double thread	2-13/16"	50	18.80
67151	1 1/2" Anti-vortex	2-13/16"	60	18.80
67156	2" Single thread	2-13/16"	90	18.80
67153	2" Double thread	2-13/16"	60	18.80
67150	2" Anti-vortex	2-13/16"	60	18.80
67149	2" Sparger	2-13/16"	40	32.17
67170	3" Single thread	4-1/8"	25	40.77
67169	3" Double thread	4-1/8"	25	42.37
67113	Replacement nut for 1/2", 3/4" and 1" fitting		—	4.30
67116	Replacement nut for 1-1/4", 1-1/2" and 2" fitting		—	4.88
67165	Replacement nut for 3" fitting		—	9.79
67070	1/4" O-Ring for brass fitting		—	1.53
67059	Small EPDM for 1/2", 3/4" and 1"		—	2.91
67061	Large EPDM for 1-1/4", 1-1/2" and 2"		—	2.91
67091	EPDM for 3"		—	12.74
67046	Small Type B Viton for 1/2", 3/4" and 1"		—	5.84
67050	Large Type B Viton for 1-1/4", 1-1/2" and 2"		—	10.29
67166	Type B Viton for 3"		—	59.64

TERMS AND CONDITIONS:

Terms: Net 30 days. A service charge of 1-1/2% per month applied to past due accounts.

FOB: Sheldon, IA. Freight prepaid on orders of \$1,500.00 net or more within the continental United States and Canada.

Minimum Order: \$50.00 net minimum.

Returns: All returns must be pre-approved by Norwesco and sent freight prepaid. Please note that a 10% restocking charge will be assessed.



NORWESCO, INC.
4365 Steiner Street, P.O. Box 439
St. Bonifacius, MN 55375-0439
Tel 800-328-3420 • Fax 800-874-2371

www.norwesco.com