

VALVES & COUPLERS

EFFECTIVE SEPTEMBER 12, 2011



List Price Sheet

PLEASE ORDER VALVES IN BOX QUANTITIES.

BOLTED BALL VALVES POLYPROPYLENE WITH STAINLESS STEEL BOLTS

| Blue Handle Part Number | Yellow Handle Part Number | Description | Box Quantity | List Price Each |
|-------------------------|---------------------------|-------------------------|--------------|-----------------|
| 60540 | 61115 | 1/2" Full Port | 24 | \$ 27.41 |
| 60541 | 61116 | 3/4" Full Port | 24 | 27.41 |
| 60542 | 61117 | 1" Standard Port | 24 | 27.41 |
| 60543 | 61118 | 1" Full Port | 24 | 31.95 |
| 61734 | 61119 | 1-1/4" Standard Port | 24 | 31.95 |
| 60527 | 61120 | 1-1/4" Full Port | 24 | 40.83 |
| 60526 | 61121 | 1-1/2" Full Port | 24 | 40.83 |
| 60544 | 61125 | 1-1/2" Full Port Nozzle | 12 | 55.84 |
| 60529 | 61122 | 2" Standard Port | 24 | 39.64 |
| 62046 | — | 2" Standard Port M x F | 24 | 39.64 |
| 60545 | 61126 | 2" Standard Port Nozzle | 12 | 57.54 |
| 60528 | 61123 | 2" Full Port | 12 | 57.90 |
| 61876 | — | 2" Full Port M x F | 12 | 60.66 |
| 60546 | 61127 | 2" Full Port Nozzle | 9 | 80.63 |
| 61720 | 61124 | 3" Full Port | 8 | 139.57 |
| 62047 | — | 3" Full Port M x F | 8 | 139.57 |
| 62787 | 62788 | 4" Full Port | 4 | 288.25 |

NOTE: Blue handles are Norwesco branded; Yellow handles are blank.

COMPACT BOLTED BALL VALVES

| Blue Handle Part Number | Yellow Handle Part Number | Description | Box Quantity | List Price Each |
|-------------------------|---------------------------|----------------------------|--------------|-----------------|
| 62286 | 62308 | 2" Full Port M x F | 12 | \$ 45.65 |
| 62287 | 62309 | 2" Full Port F x F | 12 | 45.65 |
| 62288 | 62310 | 2" Full Port M x M Coupler | 12 | 45.65 |
| 62314 | 62313 | 2" Full Port F x M Coupler | 12 | 45.65 |

NOTE: Blue handles are Norwesco branded; Yellow handles are blank.

SINGLE UNION BALL VALVES POLYPROPYLENE

| Part Number | Description | Box Quantity | List Price Each |
|-------------|---------------------|--------------|-----------------|
| 60409 | 1/2" Single Union | 24 | \$ 11.55 |
| 60410 | 3/4" Single Union | 24 | 12.56 |
| 60411 | 1" Single Union | 24 | 16.04 |
| 60412 | 1-1/4" Single Union | 12 | 26.74 |
| 60413 | 1-1/2" Single Union | 12 | 32.63 |
| 60414 | 2" Single Union | 12 | 41.85 |
| 60415 | 3" Single Union | 4 | 123.87 |
| 60479 | 1" 45° Nozzle Valve | 24 | 16.71 |

PLEASE ORDER MULTI-PORT VALVES AND COUPLERS IN BOX QUANTITIES.

MULTI-PORT BALL VALVES POLYPROPYLENE

| Part Number | Description | Box Quantity | List Price Each |
|-------------|-----------------|--------------|-----------------|
| 60417 | 3/4" True Union | 24 | \$ 36.66 |
| 60418 | 2" Multi-Port | 12 | 51.89 |

STAINLESS STEEL BALL VALVES

| Part Number | Description | List Price Each |
|-------------|------------------|-----------------|
| 60480 | 3/8" Full Port | \$ 37.02 |
| 60481 | 1/2" Full Port | 41.01 |
| 60482 | 3/4" Full Port | 58.06 |
| 60483 | 1" Full Port | 78.48 |
| 60484 | 1-1/4" Full Port | 118.72 |
| 60485 | 1-1/2" Full Port | 168.73 |
| 60487 | 2" Full Port | 232.12 |
| 60488 | 3" Full Port | 741.97 |

CAM ACTION COUPLERS & ADAPTERS POLYPROPYLENE WITH 304 STAINLESS STEEL HANDLES

| Part Number | Description | Box Qty. | List Price Each | Part Number | Description | Box Qty. | List Price Each | Part Number | Description | Box Qty. | List Price Each |
|-------------|-------------|----------|-----------------|-------------|--------------|----------|-----------------|-------------|-------------|----------|-----------------|
| 61199 | 1/2" A | 24 | \$ 3.68 | 61223 | 1-1/4" A | 24 | \$ 4.17 | 61301 | 2" 90° C | 24 | \$18.79 |
| 61255 | 1/2" B | 24 | 10.03 | 61267 | 1-1/4" B | 24 | 13.35 | 61277 | 2" D | 24 | 15.62 |
| 61256 | 1/2" C | 24 | 10.03 | 61268 | 1-1/4" C | 24 | 13.35 | 61302 | 2" 90° D | 24 | 18.79 |
| 61257 | 1/2" D | 24 | 10.03 | 61269 | 1-1/4" D | 24 | 13.35 | 61243 | 2" E | 24 | 6.17 |
| 61203 | 1/2" E | 24 | 4.07 | 61227 | 1-1/4" E | 24 | 4.65 | 61244 | 2" F | 24 | 6.17 |
| 61204 | 1/2" F | 24 | 4.07 | 61228 | 1-1/4" F | 24 | 4.65 | 61291 | 2" 90° F | 24 | 8.94 |
| 61258 | 1/2" DC | 24 | 9.69 | 61274 | 1-1/4" DC | 24 | 13.23 | 61278 | 2" DC | 24 | 15.62 |
| 61214 | 1/2" DP | 24 | 3.68 | 61238 | 1-1/4" DP | 24 | 4.44 | 61246 | 2" DP | 24 | 5.99 |
| 61207 | 3/4" A | 24 | 3.68 | 61231 | 1-1/2" A | 24 | 4.48 | 61247 | 3" A | 24 | 11.91 |
| 61259 | 3/4" B | 24 | 10.03 | 61293 | 1-1/2" 90° A | 24 | 7.42 | 61279 | 3" B | 24 | 26.41 |
| 61260 | 3/4" C | 24 | 10.03 | 61271 | 1-1/2" B | 24 | 13.23 | 61280 | 3" C | 24 | 26.41 |
| 61261 | 3/4" D | 24 | 10.03 | 61272 | 1-1/2" C | 24 | 13.23 | 61281 | 3" D | 24 | 26.41 |
| 61211 | 3/4" E | 24 | 4.07 | 61299 | 1-1/2" 90° C | 24 | 15.85 | 61251 | 3" E | 24 | 15.19 |
| 61212 | 3/4" F | 24 | 4.07 | 61273 | 1-1/2" D | 24 | 13.23 | 61252 | 3" F | 24 | 15.19 |
| 61258 | 3/4" DC | 24 | 9.69 | 61300 | 1-1/2" 90° D | 24 | 15.85 | 61282 | 3" DC | 24 | 26.41 |
| 61214 | 3/4" DP | 24 | 3.68 | 61235 | 1-1/2" E | 24 | 4.80 | 61254 | 3" DP | 24 | 11.91 |
| 61215 | 1" A | 24 | 4.03 | 61236 | 1-1/2" F | 24 | 4.80 | 62789 | 4" A | 8 | 19.58 |
| 61263 | 1" B | 24 | 11.45 | 61289 | 1-1/2" 90° F | 24 | 8.57 | 62790 | 4" B | 8 | 51.86 |
| 61264 | 1" C | 24 | 11.45 | 61274 | 1-1/2" DC | 24 | 13.23 | 62791 | 4" C | 8 | 51.86 |
| 61265 | 1" D | 24 | 11.45 | 61238 | 1-1/2" DP | 24 | 4.44 | 62792 | 4" D | 8 | 51.86 |
| 61219 | 1" E | 24 | 4.61 | 61239 | 2" A | 24 | 5.32 | 62793 | 4" E | 8 | 19.58 |
| 61220 | 1" F | 24 | 4.61 | 61296 | 2" 90° A | 24 | 7.91 | 62794 | 4" F | 8 | 19.58 |
| 61266 | 1" DC | 24 | 11.10 | 61275 | 2" B | 24 | 15.62 | 62795 | 4" DC | 8 | 37.73 |
| 61222 | 1" DP | 24 | 4.03 | 61276 | 2" C | 24 | 15.62 | 62796 | 4" DP | 8 | 15.57 |

NOTE: 1/2" couplers and adapters will interchange with 3/4" couplers and adapters. Only the threads and barbs are 1/2".
1-1/4" couplers and adapters will interchange with 1-1/2" couplers and adapters. Only the threads and barbs are 1-1/4".

PLEASE ORDER FITTINGS IN BAG QUANTITIES.

THREADED POLYPROPYLENE FITTINGS

POLY TEES – SCH80

| Part Number | Description | Box/Bag Quantity | List Price Each |
|-------------|-------------|------------------|-----------------|
| 62464 | 3/8" | 10/Bag | \$ 2.59 |
| 62209 | 1/2" | 10/Bag | 2.98 |
| 62210 | 3/4" | 10/Bag | 3.11 |
| 62211 | 1" | 10/Bag | 4.33 |
| 62212 | 1-1/4" | 10/Bag | 5.19 |
| 62213 | 1-1/2" | — | 8.16 |
| 62190 | 2" | — | 9.79 |
| 62214 | 3" | — | 41.85 |

90° ELBOWS – SCH80

| Part Number | Description | Box/Bag Quantity | List Price Each |
|-------------|-------------|------------------|-----------------|
| 62465 | 3/8" | 10/Bag | \$ 2.75 |
| 62215 | 1/2" | 10/Bag | 2.49 |
| 62216 | 3/4" | 10/Bag | 2.84 |
| 62217 | 1" | 10/Bag | 3.32 |
| 62218 | 1-1/4" | 10/Bag | 4.11 |
| 62219 | 1-1/2" | 10/Bag | 6.59 |
| 62191 | 2" | 10/Bag | 7.89 |
| 62220 | 3" | — | 36.83 |

POLY PIPE COUPLING – SCH80

| Part Number | Description | Box/Bag Quantity | List Price Each |
|-------------|-------------|------------------|-----------------|
| 62461 | 3/8" | 10/Bag | \$ 2.84 |
| 62237 | 1/2" | 10/Bag | 2.78 |
| 62238 | 3/4" | 10/Bag | 2.78 |
| 62239 | 1" | 10/Bag | 3.32 |
| 62240 | 1-1/4" | 10/Bag | 4.45 |
| 62241 | 1-1/2" | 10/Bag | 7.63 |
| 62194 | 2" | 10/Bag | 8.19 |
| 62242 | 3" | — | 23.43 |

POLY CROSS – SCH80

| Part Number | Description | Box/Bag Quantity | List Price Each |
|-------------|-------------|------------------|-----------------|
| 62262 | 3/4" | 5/Bag | \$12.30 |
| 62263 | 1" | 5/Bag | 12.88 |
| 62264 | 1-1/4" | — | 17.93 |
| 62265 | 1-1/2" | — | 19.55 |
| 62202 | 2" | — | 22.47 |

POLY NIPPLES – SCH80

| Part Number | Description | Box/Bag Quantity | List Price Each |
|-------------|----------------|------------------|-----------------|
| 62459 | 3/8" x Short | 10/Bag | \$.87 |
| 62221 | 1/2" x Short | 10/Bag | .97 |
| 62222 | 1/2" x 3" | 10/Bag | 1.71 |
| 60554 | 3/4" x Short | 10/Bag | 1.55 |
| 62223 | 3/4" x 4" | 10/Bag | 1.84 |
| 62224 | 3/4" x 6" | 10/Bag | 2.25 |
| 60555 | 1" x Short | 10/Bag | 1.82 |
| 62225 | 1" x 4" | 10/Bag | 1.97 |
| 62226 | 1" x 6" | 10/Bag | 2.45 |
| 60556 | 1-1/4" x Short | 10/Bag | 1.88 |
| 62227 | 1-1/4" x 4" | 10/Bag | 2.56 |
| 62228 | 1-1/4" x 6" | 10/Bag | 2.92 |
| 60547 | 1-1/2" x Short | 10/Bag | 2.68 |
| 62229 | 1-1/2" x 4" | 10/Bag | 5.46 |
| 62230 | 1-1/2" x 6" | 10/Bag | 6.51 |
| 60548 | 2" x Short | 10/Bag | 3.02 |
| 62192 | 2" x 4" | 10/Bag | 6.42 |
| 62193 | 2" x 6" | 10/Bag | 7.38 |
| 61769 | 3" x Short | — | 10.00 |
| 62232 | 3" x 6" | — | 15.16 |
| 62467 | 4" x Short | — | 14.90 |

REDUCER NIPPLES – SCH80

| Part Number | Description | Box/Bag Quantity | List Price Each |
|-------------|-----------------|------------------|-----------------|
| 62455 | 1/2" x 3/8" | 10/Bag | \$ 1.34 |
| 62233 | 3/4" x 1/2" | 10/Bag | 1.47 |
| 62456 | 1" x 1/2" | 10/Bag | 1.71 |
| 62234 | 1" x 3/4" | 10/Bag | 1.71 |
| 62457 | 1-1/4" x 3/4" | 10/Bag | 1.84 |
| 62235 | 1-1/4" x 1" | 10/Bag | 1.99 |
| 62458 | 1-1/2" x 1" | 10/Bag | 2.65 |
| 62236 | 1-1/2" x 1-1/4" | 10/Bag | 2.17 |
| 60549 | 2" x 1-1/2" | 10/Bag | 2.57 |
| 61768 | 3" x 2" | — | 9.21 |
| 62938 | 4" x 3" | — | 14.23 |

THREADED POLYPROPYLENE FITTINGS

REDUCER BUSHING – SCH80

| Part Number | Description | Box/Bag Quantity | List Price Each |
|-------------|-----------------|------------------|-----------------|
| 63604 | 3/8" x 1/8" | 10/Bag | \$ 1.71 |
| 62466 | 3/8" x 1/4" | 10/Bag | 1.71 |
| 62267 | 1/2" x 1/4" | 10/Bag | 1.71 |
| 62268 | 1/2" x 3/8" | 10/Bag | 1.71 |
| 62269 | 3/4" x 1/8" | 10/Bag | 1.71 |
| 62270 | 3/4" x 1/4" | 10/Bag | 1.71 |
| 62271 | 3/4" x 3/8" | 10/Bag | 1.71 |
| 62272 | 3/4" x 1/2" | 10/Bag | 1.71 |
| 62273 | 1" x 1/8" | 10/Bag | 1.82 |
| 62274 | 1" x 1/4" | 10/Bag | 1.82 |
| 62275 | 1" x 1/2" | 10/Bag | 1.82 |
| 62276 | 1" x 3/4" | 10/Bag | 1.82 |
| 62277 | 1-1/4" x 3/4" | 10/Bag | 1.88 |
| 62278 | 1-1/4" x 1" | 10/Bag | 1.88 |
| 62279 | 1-1/2" x 3/4" | 10/Bag | 2.72 |
| 62280 | 1-1/2" x 1" | 10/Bag | 2.72 |
| 62281 | 1-1/2" x 1-1/4" | 10/Bag | 2.72 |
| 62195 | 2" x 3/4" | 10/Bag | 3.13 |
| 62196 | 2" x 1" | 10/Bag | 3.13 |
| 62197 | 2" x 1-1/4" | 10/Bag | 3.13 |
| 62198 | 2" x 1-1/2" | 10/Bag | 3.13 |
| 62282 | 3" x 1-1/2" | — | 10.87 |
| 60330 | 3" x 2" | — | 9.21 |

POLY PIPE PLUG – SCH80

| Part Number | Description | Box/Bag Quantity | List Price Each |
|-------------|-------------|------------------|-----------------|
| 62255 | 1/2" | 10/Bag | \$ 1.71 |
| 62256 | 3/4" | 10/Bag | 1.71 |
| 62257 | 1" | 10/Bag | 1.71 |
| 62258 | 1-1/4" | 10/Bag | 1.88 |
| 62259 | 1-1/2" | 10/Bag | 3.02 |
| 62201 | 2" | 10/Bag | 3.17 |
| 62260 | 3" | — | 11.72 |

STREET ELBOW 45° – SCH80

| Part Number | Description | Box/Bag Quantity | List Price Each |
|-------------|-------------|------------------|-----------------|
| 62907 | 3/4" | 10/Bag | \$ 4.38 |
| 62908 | 1" | 10/Bag | 6.40 |
| 62909 | 1-1/4" | 10/Bag | 7.94 |
| 62910 | 1-1/2" | 10/Bag | 8.48 |
| 62911 | 2" | 10/Bag | 10.03 |

STREET ELBOW 90° – SCH80

| Part Number | Description | Box/Bag Quantity | List Price Each |
|-------------|-------------|------------------|-----------------|
| 62460 | 3/8" | 10/Bag | \$ 2.75 |
| 62243 | 1/2" | 10/Bag | 2.65 |
| 62244 | 3/4" | 10/Bag | 2.84 |
| 62245 | 1" | 10/Bag | 3.32 |
| 62246 | 1-1/4" | 10/Bag | 4.37 |
| 62247 | 1-1/2" | 10/Bag | 6.69 |
| 62199 | 2" | 10/Bag | 8.08 |
| 62248 | 3" | — | 36.83 |

POLY PIPE CAP – SCH80

| Part Number | Description | Box/Bag Quantity | List Price Each |
|-------------|-------------|------------------|-----------------|
| 62462 | 1/2" | 10/Bag | \$ 3.42 |
| 62250 | 3/4" | 10/Bag | 3.42 |
| 62251 | 1" | 10/Bag | 3.42 |
| 62463 | 1-1/4" | 10/Bag | 4.07 |
| 62253 | 1-1/2" | 10/Bag | 5.53 |
| 62200 | 2" | 10/Bag | 6.19 |
| 62254 | 3" | — | 20.93 |

POLYPROPYLENE KING NIPPLES

| Part Number | Description | Box/Bag Quantity | List Price Each |
|-------------|-------------|------------------|-----------------|
| 61319 | 1-1/2" | 24/Box | \$ 2.45 |
| 61861 | 2" | 24/Box | 2.93 |
| 61321 | 3" | 24/Box | 8.66 |
| 62468 | 4" | — | 19.53 |

POLYPROPYLENE HOSE BARBS

| Part Number | Description | Box/Bag Quantity | List Price Each |
|-------------|--------------------------|------------------|-----------------|
| 61303 | 1/2" | 50/Bag | \$.90 |
| 61304 | 3/4" | 50/Bag | 1.06 |
| 61305 | 1" | 25/Bag | 1.33 |
| 62469 | 1-1/4" MPT x 1" HB Elbow | — | 1.97 |

POLYPROPYLENE SWITCH ADAPTERS

| Part Number | Description | Box/Bag Quantity | List Price Each |
|-------------|-------------|------------------|-----------------|
| 61326 | 3/4" x 1/4" | 24/Box | \$ 3.86 |
| 61327 | 3/4" x 3/8" | 24/Box | 3.86 |

Switch adapters may be used with female couplers — 1/2" B #61255 or 3/4" B #61259. See page 2.

PLEASE ORDER STRAINERS IN BOX QUANTITIES.

Y-LINE STRAINERS POLYPROPYLENE

| Part Number | Description | Box Quantity | List Price Each |
|-------------|----------------------------|--------------|-----------------|
| 61472 | 1/2" w/20 Mesh Screen | 12 | \$ 19.81 |
| 61473 | 1/2" w/40 Mesh Screen | 12 | 19.81 |
| 61474 | 1/2" w/80 Mesh Screen | 12 | 22.57 |
| 61475 | 3/4" w/20 Mesh Screen | 12 | 19.81 |
| 61476 | 3/4" w/40 Mesh Screen | 12 | 19.81 |
| 61477 | 3/4" w/80 Mesh Screen | 12 | 22.57 |
| 61478 | 1" w/20 Mesh Screen | 12 | 24.64 |
| 61479 | 1" w/40 Mesh Screen | 12 | 24.64 |
| 61480 | 1" w/80 Mesh Screen | 12 | 27.53 |
| 61738 | 1-1/4" w/20 Mesh Screen | 12 | 24.64 |
| 61740 | 1-1/4" w/40 Mesh Screen | 12 | 24.64 |
| 61741 | 1-1/4" w/80 Mesh Screen | 12 | 27.53 |
| 61488 | 1-1/2" w/20 Mesh Screen | 12 | 51.52 |
| 61489 | 1-1/2" w/40-20 Mesh Screen | 12 | 53.93 |
| 61490 | 1-1/2" w/80-20 Mesh Screen | 12 | 53.93 |
| 61493 | 2" w/20 Mesh Screen | 12 | 51.52 |
| 61494 | 2" w/40-20 Mesh Screen | 12 | 53.93 |
| 61495 | 2" w/80-20 Mesh Screen | 12 | 53.93 |
| 62337 | 3" w/6 Mesh Screen | — | 315.32 |
| 62338 | 3" w/12 Mesh Screen | — | 315.32 |
| 62339 | 3" w/20 Mesh Screen | — | 315.32 |
| 62340 | 3" w/40 Mesh Screen | — | 315.32 |

T-LINE STRAINERS POLYPROPYLENE

| Part Number | Description | Box Quantity | List Price Each |
|-------------|-----------------------|--------------|-----------------|
| 61459 | 1/2" w/20 Mesh Screen | 12 | \$ 14.64 |
| 61460 | 1/2" w/40 Mesh Screen | 12 | 14.64 |
| 61461 | 1/2" w/80 Mesh Screen | 12 | 14.64 |
| 61464 | 3/4" w/20 Mesh Screen | 12 | 14.64 |
| 61465 | 3/4" w/40 Mesh Screen | 12 | 14.64 |
| 61466 | 3/4" w/80 Mesh Screen | 12 | 14.64 |
| 61469 | 1" w/20 Mesh Screen | 12 | 14.64 |
| 61470 | 1" w/40 Mesh Screen | 12 | 14.64 |
| 61471 | 1" w/80 Mesh Screen | 12 | 14.64 |

Y-LINE STRAINER REPLACEMENT PARTS

| Part Number | Description | List Price Each |
|-------------|--|-----------------|
| 61452 | 1/2" & 3/4" EPDM O-Ring | \$.87 |
| 61307 | 1/2" YLS w/o Screen | 14.70 |
| 61308 | 3/4" YLS w/o Screen | 14.70 |
| 61449 | 20 Mesh Screen for 1/2" & 3/4" | 7.89 |
| 61450 | 40 Mesh Screen for 1/2" & 3/4" | 9.27 |
| 61451 | 80 Mesh Screen for 1/2" & 3/4" | 9.82 |
| 61750 | 1" & 1-1/4" EPDM O-Ring | .99 |
| 61309 | 1" YLS w/o Screen | 17.78 |
| 61748 | 1-1/4" YLS w/o Screen | 17.78 |
| 61749 | 20 Mesh Screen for 1" & 1-1/4" | 9.82 |
| 61746 | 40 Mesh Screen for 1" & 1-1/4" | 9.82 |
| 61747 | 80 Mesh Screen for 1" & 1-1/4" | 11.20 |
| 61561 | 1-1/2" & 2" EPDM Gasket | 1.17 |
| 61287 | 1-1/2" YLS w/o Screen | 31.30 |
| 61288 | 2" YLS w/o Screen | 31.30 |
| 61567 | Cap only for 1-1/2" & 2" w/Plug & O-Ring | 13.38 |
| 62306 | 6 Mesh Screen for 1-1/2" & 2" | 23.78 |
| 62307 | 12 Mesh Screen for 1-1/2" & 2" | 25.77 |
| 61508 | 20 Mesh Screen for 1-1/2" & 2" | 18.44 |
| 61509 | 40/20 Mesh Screen for 1-1/2" & 2" | 23.26 |
| 61510 | 80/20 Mesh Screen for 1-1/2" & 2" | 23.26 |
| 62266 | 3" EPDM Body O-Ring | 3.49 |
| 62283 | 3" EPDM Plug O-Ring | .30 |
| 62334 | 3" YLS w/o Screen | 213.33 |
| 62231 | 6 Mesh Screen for 3" | 85.98 |
| 62249 | 12 Mesh Screen for 3" | 85.98 |
| 62252 | 20 Mesh Screen for 3" | 85.98 |
| 62261 | 40 Mesh Screen for 3" | 85.98 |
| 62400 | 80 Mesh Screen for 3" | 85.98 |
| 62335 | 3" Cap only w/Plug & Plug O-Ring | 63.11 |

T-LINE STRAINER REPLACEMENT PARTS

| Part Number | Description | List Price Each |
|-------------|-----------------------|-----------------|
| 61537 | 1/2" - 1" EPDM Gasket | \$.81 |
| 61283 | 1/2" TLS w/o Screen | 11.03 |
| 61284 | 3/4" TLS w/o Screen | 11.03 |
| 61285 | 1" TLS w/o Screen | 11.03 |
| 61404 | 20 Mesh Screen | 6.02 |
| 61405 | 40 Mesh Screen | 6.02 |
| 61406 | 80 Mesh Screen | 6.02 |

PLEASE ORDER VALVES IN BOX QUANTITIES.

FULL PORT FLANGE VALVES

| Blue Handle Part Number | Yellow Handle Part Number | Description | Box Quantity | List Price Each |
|-------------------------|---------------------------|--------------------------------------|--------------|-----------------|
| 63027 | 63028 | 1" Full Port Flange x Flange | 24 | \$ 31.95 |
| 63122 | 63123 | 2" Full Port Compact Flange x Flange | 12 | 45.65 |
| 63124 | 63125 | 3" Full Port Flange x Flange | 8 | 139.57 |

STAINLESS STEEL WORM SCREW HOSE CLAMPS FOR FLANGE FITTINGS

| Part Number | Description | List Price Each |
|-------------|-------------|-----------------|
| 62932 | 1" | \$ 8.49 |
| 62933 | 2" | 10.62 |
| 62934 | 3" | 12.33 |

EPDM FLANGE GASKET FOR FLANGE FITTINGS

| Part Number | Description | List Price Each |
|-------------|-------------|-----------------|
| 62935 | 1" | \$.82 |
| 61574 | 2" | 1.01 |
| 61575 | 3" | 1.20 |

FLANGE FITTINGS 1" FULL PORT

| Part Number | Description | List Price Each |
|-------------|------------------------------|-----------------|
| 62912 | 1" Flange Tee | \$ 4.31 |
| 62913 | 1" Flange Elbow | 4.31 |
| 62914 | 1" Flange Coupling | 3.35 |
| 63098 | 1" Flange x 3/4" MPT | 1.51 |
| 62915 | 1" Flange x 1" MPT | 1.63 |
| 63099 | 1" Flange x 1-1/4" MPT | 1.51 |
| 62916 | 1" Flange x 1" FPT | 2.34 |
| 62917 | 1" Flange x 3/4" HB | 1.38 |
| 62918 | 1" Flange x 1" HB | 1.38 |
| 62919 | 1" Flange x 1-1/4" HB | 1.38 |
| 62920 | 1" Flange x 3/4" HB 90° | 1.65 |
| 62921 | 1" Flange x 1" HB 90° | 1.65 |
| 62922 | 1" Flange x 1-1/4" HB 90° | 1.61 |
| 62923 | 1" Flange Cross | 12.68 |
| 62924 | 1" Flange Plug | 1.44 |
| 62925 | 1" Flange Plug with 1/4" FPT | 5.03 |

2" FULL PORT (continued)

| Part Number | Description | List Price Each |
|-------------|---|-----------------|
| 63106 | 2" Flange x 2" HB | \$ 3.35 |
| 63107 | 2" Flange x 1-1/2" HB 90° | 6.22 |
| 63108 | 2" Flange x 2" HB 90° | 6.22 |
| 63109 | 2" Flange Cross | 22.73 |
| 63110 | 2" Flange Plug | 3.78 |
| 62927 | 2" Flange x 1" Flange Reducing Coupling | 10.03 |
| 62926 | 2" Flange x 2" Male Coupler | 6.02 |

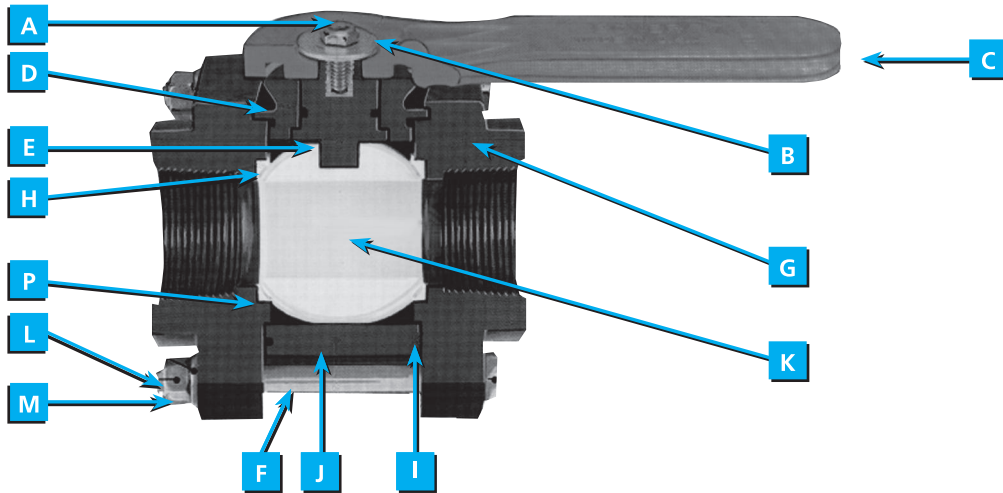
3" FULL PORT

| | | |
|-------|---|----------|
| 63111 | 3" Flange Tee | \$ 26.77 |
| 63112 | 3" Flange Elbow | 23.43 |
| 63113 | 3" Flange Coupling | 11.72 |
| 63114 | 3" Flange x 3" MPT | 9.05 |
| 63115 | 3" Flange x 2" HB | 10.22 |
| 63116 | 3" Flange x 3" HB | 10.22 |
| 63117 | 3" Flange x 2" HB 90° | 19.92 |
| 63118 | 3" Flange x 3" HB 90° | 19.92 |
| 63119 | 3" Flange Cross | 48.54 |
| 63120 | 3" Flange Plug | 10.03 |
| 62928 | 3" Flange x 2" Flange Reducing Coupling | 16.74 |
| 63121 | 3" Flange x 3" Male Coupler | 12.72 |

2" FULL PORT

| | | |
|-------|-----------------------|---------|
| 63100 | 2" Flange Tee | \$ 9.09 |
| 63101 | 2" Flange Elbow | 7.85 |
| 63102 | 2" Flange Coupling | 9.95 |
| 63103 | 2" Flange x 2" MPT | 2.97 |
| 63104 | 2" Flange x 2" FPT | 8.37 |
| 63105 | 2" Flange x 1-1/2" HB | 3.35 |

BOLTED BALL VALVE REPLACEMENT PARTS



| PART NUMBERS AND LIST PRICE | | | | | | | | | | | | | | | |
|---|---------------|---------------|---------------|---------------|---------------|----------------|----------------|----------------|----------------|----------------|----------------|----------------|----------------|----------------|----------------|
| | 1/2" FP | 3/4" FP | 1" STD | 1" FP | 1-1/4" STD | 1-1/4" FP | 1-1/2" FP | 2" STD | 2" FP Compact | 2" FP | 3" FP | 4" FP | 1-1/2" FPNZ | 2" STDNZ | 2" FPNZ |
| A Stem Screw | 61347 .29 | 61347 .29 | 61347 .29 | 61347 .29 | 61347 .29 | — — | — — | — — | — — | — — | — — | — — | — — | — — | — — |
| B Stem Cap Screw & Flat Washer | — — | — — | — — | — — | — — | 61350 .72 | 61350 .72 | 61350 .72 | 61350 .72 | 61351 2.57 | 61351 2.57 | 61351 2.57 | 61350 .72 | 61350 .72 | 61351 2.57 |
| C-1 Yellow Blank Handle | 61783 2.28 | 61783 2.28 | 61783 2.28 | 61784 2.55 | 61784 2.55 | 61785 4.27 | 61785 4.27 | 61785 4.27 | 61785 4.27 | 61786 6.59 | 61786 6.59 | 62838 6.59 | 61787 4.92 | 61787 4.92 | 61788 6.59 |
| C-2 Norwesco Blue Handle | 61721 2.28 | 61721 2.28 | 61721 2.28 | 61722 2.55 | 61722 2.55 | 61723 4.27 | 61723 4.27 | 61723 4.27 | 61723 4.27 | 61724 6.59 | 61724 6.59 | 62839 6.59 | 61725 4.92 | 61725 4.92 | 61726 6.59 |
| D Viton Stem O-Ring(s)* | 61497 1.13 | 61497 1.13 | 61497 1.13 | 61497 1.13 | 61497 1.13 | 61425 1.71 | 61425 1.71 | 61425 1.71 | 61425 1.71 | 61447 2.28 | 61447 2.28 | 62817 4.92 | 61425 1.71 | 61425 1.71 | 61447 2.28 |
| E Valve Stem w/Viton O-Ring(s) | 61359 2.28 | 61359 2.28 | 61359 2.28 | 61446 2.28 | 61446 2.28 | 61360 4.55 | 61360 4.55 | 61360 4.55 | 61360 4.55 | 61361 6.82 | 61361 6.82 | 62818 18.04 | 61360 4.55 | 61360 4.55 | 61361 6.82 |
| F Stainless Steel Bolt, Hex Nut & Lock Washer | 61421 1.94 | 61421 1.94 | 61421 1.94 | 61422 2.73 | 61422 2.73 | 61423 4.88 | 61423 4.88 | 61423 4.88 | 61424 5.34 | 61424 5.34 | 62208 6.25 | 62819 9.68 | 61423 4.88 | 61423 4.88 | 61424 5.34 |
| G End Flange w/Teflon® Seat | 62051 6.25 | 62052 6.25 | 62053 6.25 | 62054 8.52 | 62055 8.52 | 62056 11.50 | 62057 11.50 | 62059 11.50 | 62316 13.07 | 62060 15.91 | 62065 34.09 | 62820 44.33 | 62057 11.50 | 62059 11.50 | 62060 15.91 |
| G Male End Flange w/Teflon® Seat | — — | — — | — — | — — | — — | — — | — — | — 10.80 | 62064 13.07 | 62317 17.05 | 62063 35.23 | 62066 — | — — | — — | — — |
| G Male Coupler End Flange w/Teflon® Seat | — — | — — | — — | — — | — — | — — | — — | — — | 62318 21.03 | — — | — — | — — | — — | — — | — — |
| G Flanged End Flange w/Teflon® Seat | — — | — — | — — | 62929 8.52 | — — | — — | — — | — — | 62930 13.07 | — — | 62931 35.23 | — — | — — | — — | — — |
| H Teflon® Seat | 62077 2.28 | 62077 2.28 | 62077 2.28 | 62076 2.84 | 62076 2.84 | 62075 3.41 | 62075 3.41 | 62075 3.41 | 62074 4.55 | 62074 4.55 | 62073 7.96 | 62821 16.41 | 62075 3.41 | 62075 3.41 | 62074 4.55 |
| I Large Body EPDM O-Ring Seal | 61378 1.13 | 61378 1.13 | 61378 1.13 | 61379 1.71 | 61379 1.71 | 61380 1.71 | 61380 1.71 | 61380 1.71 | 62319 3.30 | 61381 3.30 | 61382 3.97 | 62822 8.21 | 61380 1.71 | 61380 1.71 | 61381 3.30 |
| J Valve Body | 61383 5.68 | 61383 5.68 | 61383 5.68 | 61384 6.53 | 61384 6.53 | 61385 7.38 | 61385 7.38 | 61385 7.38 | 62315 8.52 | 61386 13.07 | 61387 21.83 | 62823 47.59 | 61385 7.38 | 61385 7.38 | 61386 13.07 |
| K Valve Ball | 61388 5.12 | 61388 5.12 | 61388 5.12 | 61389 5.68 | 61389 5.68 | 61390 9.38 | 61390 9.38 | 61390 9.38 | 62312 11.36 | 61391 11.36 | 61392 22.74 | 62824 32.00 | 61390 9.38 | 61390 9.38 | 61391 11.36 |
| N Top Flange w/Teflon® Seat for Nozzle | — — | — — | — — | — — | — — | — — | — — | — — | — — | — — | — — | — — | 62058 22.14 | 62061 21.03 | 62062 24.99 |
| O Nozzle Pipe | — — | — — | — — | — — | — — | — — | — — | — — | — — | — — | — — | — — | 61400 5.68 | 61401 6.53 | 61401 6.53 |
| P Seat O-Ring | — — | — — | — — | — — | — — | — — | — — | — — | — — | — — | 62114 2.21 | — — | — — | — — | — — |

*4" requires 2 stem o-rings.

SINGLE UNION BALL VALVE REPLACEMENT PARTS

| Size | Repair Kit Includes 3 EPDM O-Rings & 2 Teflon® Seats | Optional Repair Kit Includes 3 Viton O-Rings | Handles | Valve Stem with EPDM O-Ring |
|--------|--|--|---------|--------------------------------|
| 1/2" | 60430 | 60437 | 60444 | 60451 |
| | \$ 2.51 | \$ 3.59 | \$ 1.78 | \$ 1.02 |
| 3/4" | 60431 | 60438 | 60445 | 60452 |
| | 3.28 | 5.38 | 2.28 | 2.74 |
| 1" | 60432 | 60439 | 60446 | 60453 |
| | 4.17 | 6.51 | 3.13 | 3.32 |
| 1-1/4" | 60433 | 60440 | 60447 | 60454 |
| | 4.79 | 7.29 | 3.35 | 1.79 |
| 1-1/2" | 60434 | 60441 | 60448 | 60455 |
| | 6.58 | 8.07 | 3.90 | 2.69 |
| 2" | 60435 | 60442 | 60449 | 60456 |
| | 8.38 | 11.97 | 5.87 | 2.69 |
| 3" | 60436* | 60443** | 60450 | 60457 |
| | 17.34 | 32.90 | 14.77 | 7.07 |

*Includes 4 EPDM O-Rings & 2 Teflon® Seats

**Includes 4 Viton O-Rings

MULTI-PORT BALL VALVE REPLACEMENT PARTS

| Size | Repair Kit Includes 3 EPDM O-Rings & 2 Teflon® Seats | Optional Repair Kit Includes 3 Viton O-Rings | T-Ball | Handles | Valve Stem with EPDM O-Ring |
|------|--|--|---------|---------|--------------------------------|
| 3/4" | 61733 | 60438 | 60429 | 61735 | 60452 |
| | \$ 7.53 | \$ 5.38 | \$ 7.38 | \$ 2.99 | \$ 2.74 |
| 2" | 60435 | 60442 | 60428 | 61736 | 60456 |
| | 8.38 | 11.97 | 11.50 | 7.90 | 2.69 |

STAINLESS STEEL VALVE REPLACEMENT PARTS

| Description | Size & Part Number | | | | | | | |
|-------------|--------------------|---------|---------|---------|----------|----------|----------|----------|
| | 3/8" | 1/2" | 3/4" | 1" | 1-1/4" | 1-1/2" | 2" | 3" |
| Repair Kit* | 62374 | 62375 | 62376 | 62377 | 62378 | 62379 | 62380 | 62381 |
| | \$ 4.43 | \$ 4.92 | \$ 6.10 | \$ 7.54 | \$ 16.32 | \$ 27.70 | \$ 38.72 | \$ 62.19 |
| Handle | 62369 | 62370 | 62370 | 62371 | 62371 | 62372 | 62372 | 62373 |
| | 6.98 | 8.03 | 8.03 | 11.50 | 11.50 | 15.34 | 15.34 | 32.65 |

*Kit includes 2 Teflon® seats, 1 Teflon® body seal and 2 Teflon® stem seals.

CAM ACTION COUPLER – REPLACEMENT PARTS LIST

| Coupler Description | EPDM Gasket (Standard) | Key Ring | Stainless Steel Pin | Stainless Steel Handle | Polypropylene Shims | Locking Pin |
|------------------------|---------------------------|-------------|------------------------|---------------------------|------------------------|----------------|
| 1/2" | 61570 | 61589 | 61582 | 61594 | 61715 | — |
| | \$.58 | \$.61 | \$.49 | \$ 2.14 | \$.41 | — |
| 3/4" | 61570 | 61589 | 61582 | 61594 | 61715 | — |
| | .58 | \$.61 | \$.49 | \$ 2.14 | \$.41 | — |
| 1" | 61571 | 61589 | 61582 | 61594 | 61716 | — |
| | .58 | .61 | .49 | 2.14 | .41 | — |
| 1-1/4" | 61572 | 61589 | 61585 | 61595 | 61717 | 63545 |
| | .87 | .61 | .97 | 3.38 | .64 | .51 |
| 1-1/2" | 61572 | 61589 | 61585 | 61595 | 61717 | 63545 |
| | .87 | .61 | .97 | 3.38 | .64 | .51 |
| 2" | 61574 | 61589 | 61585 | 61595 | 61718 | 63545 |
| | 1.01 | .61 | .97 | 3.38 | .89 | .51 |
| 3" | 61575 | 61589 | 61584 | 61596 | 61719 | — |
| | 1.20 | .61 | 1.59 | 5.50 | 1.54 | — |
| 4" | 62797 | 61589 | 61584 | 61596 | — | — |
| | 3.41 | .61 | 1.59 | 5.50 | — | — |

PLEASE ORDER LIDS IN BOX QUANTITIES.

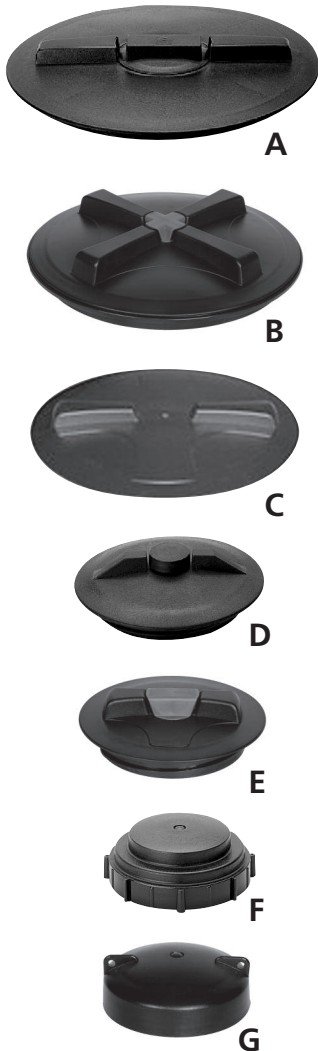
NORWESCO HINGED LIDS



| Part Number | Description | Box Quantity | List Price Each |
|-------------|---|--------------|-----------------|
| 63874 | 22" Hinged lid with ring & vent | 8 | \$ 274.33 |
| 62532 | 16" Hinged lid with ring & vent | 6 | 87.59 |
| 62826 | 16" Hinged lid with vent assembly, without ring | 6 | 63.96 |
| 63390 | 16" Hinged ventless lid, with ring | 6 | 87.59 |
| 62827 | Vent assembly | — | 32.30 |
| 62828 | Ring assembly | — | 32.30 |
| 62829 | Hinge assembly | — | 4.89 |
| * 63391 | EPDM gasket | — | 37.37 |
| ** 62830 | EPDM O-ring | — | 25.06 |
| 62831 | Neoprene O-ring | — | 25.06 |

*Lid with red center cap or ventless lid requires this gasket.
 **Lid with black center cap requires this O-ring.

NORWESCO TANK LIDS



| Item Code | Part Number | Description | Box Quantity | List Price Each |
|-----------|-------------|--|--------------|-----------------|
| | 63679 | 22" Lid and ring with air vent | 6 | \$103.66 |
| | 63863 | 22" Lid, ventless with ring | 6 | 118.47 |
| | 60038 | 16" Lid and ring with 4" center lid/air vent | 14 | 31.48 |
| A | 60011 | 16" Lid with 4" center lid/air vent | 19 | 27.57 |
| B | 63485 | 16" Lid and ring with blue snap-in vent | 12 | 28.94 |
| | 63868 | 16" Lid and ring with 3" center thread | 12 | 64.01 |
| | 60012 | 16" Ring only | — | 9.29 |
| | 60367 | 16" Lid, ventless with ring | 10 | 34.50 |
| C | 60365 | 16" Lid, ventless | — | 28.19 |
| | 60019 | 4" Lid (air vent assembly for 16" lid, 60038 and 60011) | — | 11.18 |
| | 63539 | Blue snap-in vent for 16" lid | — | 3.12 |
| | 60032 | 8" Lid, ring and air vent | 32 | 20.45 |
| D | 60002 | 8" Lid with air vent | 32 | 14.66 |
| | 60003 | 8" Ring only (for 60002 lid) | — | 7.41 |
| | 61727 | Snap on air vent for 8" lid only (60002) | — | 5.63 |
| E | 63480 | 8" Lid with blue snap-in vent | 28 | 12.57 |
| | 63482 | Blue snap-in vent for 8" lid | — | 1.42 |
| | 60030 | 7" Lid (for applicator tank without ring) | 12 | 59.27 |
| | 60423 | Gasket for 7" lid | — | 5.75 |
| F | 60322 | 5" Lid with ball check air vent (for tanks manufactured prior to 2/1/00) | 72 | 11.34 |
| G | 63484 | 5" Lid with ball check air vent (for tanks manufactured after 2/1/00) | 48 | 8.63 |
| | 63264 | 5" Lid with 2" FPT (does not include vent cap) | 45 | 8.98 |
| | 63673 | 5" Lid, hinged for 110 low profile | 25 | 18.08 |
| | 63266 | 2" MPT vent cap with poly screen | 10/bag | 15.21 |
| | 63316 | 2" MPT vent cap, anti-vortex, without screen | 25/bag | 13.66 |
| | 63845 | 3" MPT vent cap with poly screen | — | 21.48 |
| | 60366 | EPDM gasket for 5" lid, 60322, 63264 or 63484 | — | 6.28 |
| | 62531 | 18" lanyard for 8" and 16" non-hinged lid | — | .99 |
| | 62941 | Ethafoam gasket for 16" lid | — | 6.31 |
| | 60081 | Stainless steel screw for 8" and 16" rings | — | .22 |
| | 67374 | Strainer basket for 16" fill-opening (7" depth) | — | 70.93 |

TANK REPAIR KIT

| Part Number | Description | List Price Each |
|-------------|--------------------------|-----------------|
| 60221 | Poly welding gun and rod | \$199.25 |
| 61879 | Poly welding rod, 30' | 57.78 |

PLEASE ORDER FITTINGS IN BOX QUANTITIES.

BULKHEAD FITTINGS—STANDARD WITH EPDM GASKET

| Part Number | Description | Hole Size Req'd in Tank for Installation | Box Quantity | List Price Each |
|-------------|--|--|--------------|-----------------|
| 62834 | 1/2" Heavy duty double threaded polypropylene fitting | 1-7/16" | 100 | \$ 6.28 |
| 60401 | 3/4" Double threaded polypropylene fitting | 1-7/16" | 100 | 5.01 |
| 60402 | EPDM gasket for 1/2" and 3/4" (62834 & 60401) | | — | 1.12 |
| 60360 | Type B Viton gasket for 1/2" and 3/4" (62834 & 60401) | | — | 12.45 |
| 62798 | 3/4" Heavy duty double threaded polypropylene fitting | 1-5/8" | 100 | 6.28 |
| 62799 | EPDM gasket 3/4" (62798) | | — | 1.17 |
| 62800 | Type B Viton gasket for 3/4" (62798) | | — | 18.58 |
| 60427 | 1" Double threaded polypropylene fitting | 2-1/4" | 100 | 6.28 |
| 60403 | 1-1/4" Double threaded polypropylene fitting | 2-1/4" | 100 | 6.28 |
| 63065 | 1-1/4" Anti-vortex polypropylene fitting | 2-1/4" | 100 | 8.04 |
| 60404 | EPDM gasket for 1" and 1-1/4" (60427, 60403 & 63065) | | — | 1.56 |
| 60361 | Type B Viton gasket for 1" and 1-1/4" (60427, 60403 & 63065) | | — | 16.89 |
| 62398 | Anti-vortex adapter for 1-1/4" (60403) | | 10/Bag | 2.79 |
| 60124 | 1-1/2" Double threaded polypropylene fitting | 3" | 50 | 9.18 |
| 63279 | Siphon tube, 1-1/2" x 12" long | | — | 17.86 |
| 63682 | Siphon tube, 1-1/2" x 4-15/16" long | | — | 19.34 |
| 60405 | 2" Double threaded polypropylene fitting | 3" | 50 | 8.98 |
| 61767 | 2" Double threaded 316 SS fitting, less gasket | 3" | 12 | 162.08 |
| 60406 | EPDM gasket for 1 1/2" and 2" (60124, 60405, 63481 & 61767) | | — | 2.15 |
| 60523 | Type B Viton gasket for 1 1/2" and 2" (60124, 60405, 63481 & 61767) | | — | 39.67 |
| 63481 | 2" Standard duty double threaded polypropylene fitting (Maximum tank wall thickness = 3/8") | 3" | 50 | 7.71 |
| 63683 | 2" Heavy duty double threaded polypropylene fitting | 3-1/4" | 50 | 12.80 |
| 60336 | EPDM gasket for 2" (63683) | | — | 3.42 |
| 60008 | Type B Viton gasket for 2" (63683) | | — | 46.88 |
| 60335 | Siphon tube, 2" short | | — | 6.14 |
| 63262 | Siphon tube, 2" x 12" long | | — | 18.66 |
| 63266 | 2" MPT vent cap with poly screen | | 10/Bag | 15.21 |
| 63316 | 2" MPT vent cap, anti-vortex, without screen | | 25/Bag | 13.66 |
| 62399 | Anti-vortex adapter for 2" bulkhead fitting | | 10/Bag | 2.88 |
| 60021 | 2" Polypropylene dust plug | | — | 1.42 |
| 63668 | 2" Self-aligning double threaded polypropylene fitting Designed to install in dome of vertical tank above the liquid level. | 4-1/2" | 10 | 118.55 |
| 60331 | EPDM gasket for 2" self-aligning (63668) | | — | 7.84 |
| 60351 | Type B Viton gasket for 2" self-aligning (63668) | | — | 62.86 |
| 62299 | 3" Double threaded polypropylene fitting | 4-1/2" | 12 | 39.43 |
| 60331 | EPDM gasket for 3" (62299) | | — | 7.84 |
| 60351 | Type B Viton gasket for 3" (62299) | | — | 62.86 |
| 60330 | 2" Polypropylene reducer for 3" | | — | 9.21 |
| 60327 | Siphon tube, 3" short | | — | 11.13 |
| 63263 | Siphon tube, 3" x 12" long | | — | 27.00 |
| 63845 | 3" MPT vent cap with poly screen | | — | 21.48 |
| 62171 | 4" Double threaded polypropylene fitting | 5-3/4" | 4 | 128.39 |
| 62785 | EPDM gasket for 4" (62171) | | — | 28.19 |
| 62786 | Type B Viton gasket for 4" (62171) | | — | 135.49 |
| 62714 | Siphon tube for 4" | | — | 105.89 |

BOLTED FITTINGS

POLYPROPYLENE DOUBLE THREADED BOLTED FITTINGS

| Part Number | Description | List Price Each |
|-------------|--|-----------------|
| 60502 | 3/4" Polypropylene double threaded bolted fitting with SS bolts & EPDM gaskets | \$ 22.33 |
| 60505 | 1" Polypropylene double threaded bolted fitting with SS bolts & EPDM gaskets | 22.33 |
| 60498 | EPDM gasket for 3/4" & 1" (2 required) | 3.12 |
| 60355 | Type B Viton gasket for 3/4" & 1" (2 required) | 17.32 |
| 60513 | 1-1/2" Polypropylene double threaded bolted fitting with SS bolts & EPDM gaskets | 37.64 |
| 60516 | 2" Polypropylene double threaded bolted fitting with SS bolts & EPDM gaskets | 37.64 |
| 60497 | EPDM gasket for 1-1/2" & 2" (2 required) | 3.06 |
| 60356 | Type B Viton gasket for 1-1/2" & 2" (2 required) | 29.77 |
| 62471 | 3" Polypropylene double threaded bolted fitting with SS bolts & EPDM gaskets | 44.49 |
| 62048 | EPDM gasket for 3" (2 required) | 11.04 |
| 60602 | Type B Viton gasket for 3" (2 required) | 80.35 |

STAINLESS STEEL DOUBLE THREADED BOLTED FITTINGS

| | | |
|-------|---|----------|
| 63216 | 1/2" 316 SS double threaded bolted fitting less gasket | \$ 62.60 |
| 63035 | 3/4" 316 SS double threaded bolted fitting less gasket | 64.79 |
| 62948 | 1" 316 SS double threaded bolted fitting less gasket | 66.44 |
| 63205 | EPDM gasket for 1/2", 3/4" & 1" (1 required) | 6.85 |
| 63224 | Type B Viton gasket for 1/2", 3/4" & 1" (1 required) | 36.24 |
| 62950 | Cross-linked polyethylene gasket for 1/2", 3/4" & 1" (1 required) | 2.22 |
| 63036 | 1-1/4" 316 SS double threaded bolted fitting less gasket | 94.61 |
| 63041 | Cross-linked polyethylene gasket for 1-1/4" (1 required) | 2.98 |
| 63037 | 1-1/2" 316 SS double threaded bolted fitting less gasket | 94.61 |
| 63426 | EPDM gasket for 1-1/4" & 1-1/2" (1 required) | 7.30 |
| 63042 | Cross-linked polyethylene gasket for 1-1/2" (1 required) | 3.65 |
| 63038 | 2" 316 SS double threaded bolted fitting less gasket | 100.10 |
| 63206 | EPDM gasket for 2" (1 required) | 8.09 |
| 63225 | Type B Viton gasket for 1-1/4", 1-1/2" & 2" (1 required) | 53.34 |
| 62848 | Cross-linked polyethylene gasket for 2" (1 required) | 4.09 |
| 63039 | 3" 316 SS double threaded bolted fitting less gasket | 228.14 |
| 63223 | EPDM gasket for 3" (1 required) | 15.93 |
| 63226 | Type B Viton gasket for 3" (1 required) | 145.26 |
| 63043 | Cross-linked polyethylene gasket for 3" (1 required) | 5.70 |
| 63688 | 4" 316 SS 8-bolt double threaded bolted fitting less gasket | 410.36 |
| 63690 | EPDM gasket for 4" (1 required) | 44.07 |
| 63691 | Viton gasket for 4" (1 required) | 103.66 |
| 63689 | Cross-linked polyethylene gasket for 4" (1 required) | 14.66 |

STAINLESS STEEL SINGLE THREADED BOLTED FITTINGS

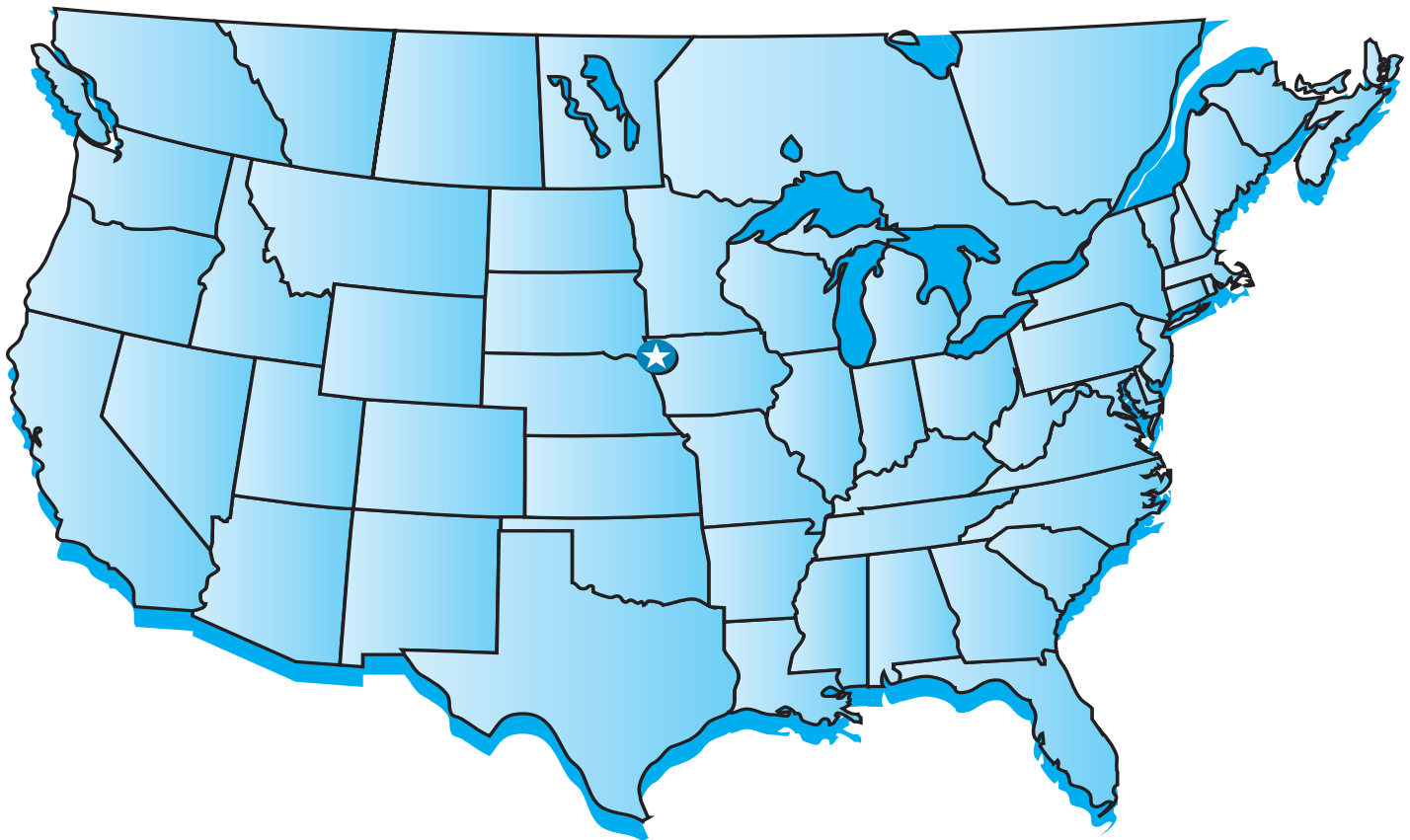
| | | |
|-------|--|----------|
| 62847 | 2" 316 SS single threaded bolted fitting less gasket | \$ 84.21 |
| 63206 | EPDM gasket for 2" (1 required) | 8.09 |
| 63225 | Type B Viton gasket for 2" (1 required) | 53.34 |
| 62848 | Cross-linked polyethylene gasket for 2" (1 required) | 4.09 |
| 63233 | 3" 316 SS single threaded bolted fitting, anti-vortex, less gasket | 212.56 |
| 63223 | EPDM gasket for 3" (1 required) | 15.93 |
| 63226 | Type B Viton gasket for 3" (1 required) | 145.26 |
| 63043 | Cross-linked polyethylene gasket for 3" (1 required) | 5.70 |

PLEASE ORDER LIDS AND FITTINGS IN BOX QUANTITIES.

ACCESSORIES FOR OEM (RAVEN STYLE) TANKS

| Part Number | Description | Box Quantity | List Price |
|-------------|---|--------------|------------|
| 67399 | Lid — 10" threaded with baffle vent | 9 | 21.18 |
| 67398 | Lid — 10" with fillwell and baffle vent | 9 | 34.37 |
| 67355 | Lid — 10" threaded / no vent | 28 | 29.98 |
| 67077 | Lid — 10" threaded with ball vent | 28 | 21.18 |
| 67400 | Fillwell for 10" lid | 15 | 14.40 |
| 67104 | Baffle vent for 10" threaded lid | — | 6.12 |
| 67443 | Gasket for 10" threaded lid | — | 4.71 |
| 67076 | Lanyard for 10" threaded lid | — | 1.10 |
| 67375 | Strainer basket for 10" fillwell | — | 61.99 |
| 67410 | Cap — 2 1/4" (for 10 gallon tank) | — | 9.41 |

DISTRIBUTION SHELDON, IOWA



TERMS AND CONDITIONS:

Terms: Net 30 days. A service charge of 1-1/2% per month applied to past due accounts.

FOB: Sheldon, IA. Freight prepaid on orders of \$1,500.00 net or more within the continental United States and Canada.

Minimum Order: \$50.00 net minimum. A \$25.00 handling charge will be assessed on orders less than \$50.00 net.

Returns: All returns must be pre-approved by Norwesco and sent freight prepaid. Please note that a 10% restocking charge will be assessed.



NORWESCO, INC.
4365 Steiner Street, P.O. Box 439
St. Bonifacius, MN 55375-0439
Tel 800-328-3420 • Fax 800-874-2371
www.norwesco.com