



# MASTER PRICE SHEETS



This list supersedes all previous lists.  
All prices F.O.B Englefeld, Saskatchewan

**USA** **MACHINE PRICES AND SPECIFICATIONS** Effective June 10, 2011

**2500 GIANT PICKER**

### PICKER FEATURES

- Hydraulic cylinders & hoses
- Grated buckets
- Extended hitch poles
- Pivoting hitch
- Safety chain

### TRACTOR HYDRAULIC REQUIREMENTS

Rock pickers, hydraulically driven, **require closed center** dual remote outlets with a minimum of 12 gallons per minute flow at 1750 psi.

**~ ~ Selection 1 ~ Choose a Basic Unit ~ ~**

		Price USA	Wt/lbs
1)	<b>R100-001</b> 2500 Giant Big Bucket Rock Picker, reel type, pivoting hitch, rock deflector, hydraulic drive, semi hi-lift, 16.5x16.1x10 Ply Tires	<b>18,711.00</b>	4626
	<b>Choose one:</b> (2500 only)		
	a) <b>R100-180</b> Grate & Reel Assembly, 1 1/2" Spacing (Narrow)	<b>8,615.00</b>	
	b) <b>R100-185</b> Grate & Reel Assembly, 3 9/32" Spacing (Wide)	<b>8,022.00</b>	

**~ ~ Selection 2 ~ Extra Options ~ ~**

1)	<b>72-00</b> Hydraulic Reservoir Kit (HK340) - Subject to availability	<b>8,949.00</b>	256
2)	<b>R100-200</b> Hydraulic Motor Valve Kit for 2500 Rock Picker	<b>1,519.00</b>	40
3)	<b>R100-300</b> CE Shield Kit for 2500 Rock Picker	<b>3,820.00</b>	783
4)	<b>S000-035</b> Safety Light Kit	<b>716.00</b>	31
5)	<b>R400-250</b> Hydraulic Swing Hitch (2500 Giant & High Rise 8000 Only)	<b>382.00</b>	30

**Assembly Charge      Net    360.00**

**IMPORTANT:** Safety Chain Kit & Safety Light Kit must be used at all time when moving equipment on any type of road.

ver6142011mm

**PREDELIVERY SERVICE IS REQUIRED BY DEALER OR END USER**

Prices and specifications subject to change without notice or obligation.



Box 70 • Englefeld SK • Canada • S0K 1N0  
 Phone: 306-287-3715 • Fax: 306-287-3355

# MASTER PRICE SHEETS



This list supersedes all previous lists.  
 All prices F.O.B Englefeld, Saskatchewan

**USA**

**MACHINE PRICES AND SPECIFICATIONS**

Effective June 10, 2011



## RS 320 'JUMBO' ROCK PICKER



### PICKER FEATURES

- Hydraulic cylinders & hoses
- Grated buckets
- Extended hitch poles
- Pivoting hitch
- Safety chain

### TRACTOR HYDRAULIC REQUIREMENTS

Rock pickers, hydraulically driven, **require closed center** dual remote outlets with a minimum of 12 gallons per minute flow at 1750 psi.

**~ ~ Selection 1 ~ Choose a Basic Unit ~ ~**

		Price USA	Wt/lbs
1) 90-100	RS320 'Jumbo' Rock Picker, conveyer type, hydraulic drive, semi hi-lift, 4 batt, 3.2 cubic yard grated bucket c/w pivoting hitch, 16.5x16.1x10 Ply Tires	<b>31,708.00</b>	5086

**~ ~ Selection 2 ~ Extra Options ~ ~**

1) 72-00	Hydraulic Reservoir Kit (HK340) - Subject to availability	<b>8,949.00</b>	256
2) 431-00	Hydraulic Motor Valve Kit for RS320 Rock Picker	<b>1,455.00</b>	40
3) S000-035	Safety Light Kit	<b>716.00</b>	31
4) 90-250	Hydraulic Swing Hitch (For RS320 Only)	<b>480.00</b>	70

**Assembly Charge    Net    360.00**

**IMPORTANT: Safety Chain Kit & Safety Light Kit must be used at all time when moving equipment on any type of road.**

**PREDELIVERY SERVICE IS REQUIRED BY DEALER OR END USER**

ver6142011mm

Prices and specifications subject to change without notice or obligation.



This list supersedes all previous lists.  
 All prices F.O.B Englefeld, Saskatchewan

**USA**

**MACHINE PRICES AND SPECIFICATIONS**

Effective June 10, 2011

***High Rise 8000***

**PICKER FEATURES**

- Dump Height of 8 Feet
- Floating Grate Prevents Damage from Immovable Rocks
- Grated Bucket Helps to Sift Dirt from Rocks
- Tapered T-Iron Grate Prevents Rocks from Jamming
- Bucket Capacity of 3 Cubic Yards
- A Pivoting Hitch Allows for Ease of Transport
- Extension Springs Cushion Shock Loads in Batts When Picking Rocks
- Safety Road Lighting
- Standard Flow Control Valve

**TRACTOR HYDRAULIC REQUIREMENTS**

Rock pickers, hydraulically driven, require closed center dual remote outlets with a minimum of 12 gallons per minute flow at 1750 psi.

**HOW TO ORDER:** You must select from 1 to receive a complete rock picker  
 To receive additional options, choose from selection 2.

~ ~ **Selection 1 ~ Choose a Basic Unit** ~ ~

		Price USA	Wt/lbs
1)	<b>R400-000</b> High Rise 8000 Rock Picker (comes with 16.5 x 16.1 x 10 Ply tires)	<b>23,376.00</b>	6458
	<i>Choose one:</i>		
a)	<b>R100-180</b> Grate & Reel Assembly, 1 1/2" Spacing (Narrow)	<b>8,615.00</b>	
b)	<b>R100-185</b> Grate & Reel Assembly, 3 9/32" Spacing (Wide)	<b>8,022.00</b>	

~ ~ **Selection 2 ~ Extra Options** ~ ~

1)	<b>72-00</b> Hydraulic Reservoir Kit (HK340) - Subject to availability	<b>8,949.00</b>	256
2)	<b>R100-200</b> Hydraulic Motor Valve Kit for High Rise 8000 Rock Picker	<b>1,519.00</b>	17
3)	<b>R400-250</b> Hydraulic Swing Hitch (2500 Giant & High Rise 8000 Only)	<b>382.00</b>	30
4)	<b>R400-260</b> Rubber Bumpers for Dumping into Truck Boxes	<b>438.00</b>	20
5)	<b>R400-300</b> CE Shield Kit for High Rise 8000 Rock Picker	<b>2,392.00</b>	310

**Assembly Charge      Net    360.00**

ver6142011mm

**PREDELIVERY SERVICE IS REQUIRED BY DEALER OR END USER**

Prices and specifications subject to change without notice or obligation.

This list supersedes all previous lists.  
All prices F.O.B Englefeld, Saskatchewan



**USA**

**MACHINE PRICES AND SPECIFICATIONS**

Effective June 10, 2011



## *High Rise 8000*



~ ~ *Kit Descriptions* ~ ~

**1) Hydraulic Reservoir Kit**

- A self contained 12 GPM pump and tank system provides hydraulic power for operation of rock pickers in cases where tractor hydraulic output is not sufficient. The kit includes a tractor mounted pump and solenoid valve for reversing flow to the hydraulic motor.

**2) Hydraulic Motor Valve Kit**

- For tractors with open center hydraulic systems and 12 gallons per minute output. Maintains flow to the hydraulic motor while lifting or lowering the rock picker grate.

**3) Hydraulic Swing Hitch Kit**

- This kit provides a hydraulic cylinder which allows you to move the hitch in and out of transport position from the comfort of your cab.

**4) Dump Truck Bumper Kit**

- This kit provides adjustable bumpers that attach to the rear of the rock picker for backing up to trucks.

**5) CE Shielding Kit**

- This kit provides extra shielding in the grate and reel areas to meet European standards.

**PREDELIVERY SERVICE IS REQUIRED BY DEALER OR END USER**

**Prices and specifications subject to change without notice or obligation.**

ver6142011mm



# MASTER PRICE SHEET



This list supersedes all previous lists.  
All prices F.O.B Englefeld, Saskatchewan

**USA**

**MACHINE PRICES AND SPECIFICATIONS**

Effective June 10, 2011



## *SRW1400 Rock Windrower*



### SPECIFICATIONS

- |   |                              |
|---|------------------------------|
| - Horsepower Required --- 40hp to 150hp | - Tires -- 9.5L x 15 x 6 ply |
| - Maximum Ground Speed -- 5mph          | - Transport Width -- 7.75'   |
| - Recommended Ground Speed -- 2mph      | - Transport Length -- 235"   |
| - Drum Speed -- 117 rpm @ 540 input     |                              |

**HOW TO ORDER:** You must select from 1, 2 and 3 to receive a complete rock windrower.  
To receive additional options, choose from selection 4.

**~ ~ Selection 1 ~ Choose a Basic Unit ~ ~**

1) R200-000	SRW1400 Standard 14' Unit	<b>Price USA</b> <b>21,282.00</b>	<b>Wt/lbs</b> <b>3480</b>
-------------	---------------------------	--------------------------------------	------------------------------

**~ ~ Selection 2 ~ Hydraulic Cylinder Kit ~ ~**

1) R200-270	Complete Hydraulic Cylinder Kit consisting of (2) 3 x 8 hydraulic cylinders c/w depth stops, steel lines, hoses and fittings (required to operate windrower)	<b>808.00</b>	<b>70</b>
-------------	---	---------------	-----------

**~ ~ Selection 3 ~ Destination Codes ~ ~**

Please select the destination of the windrower for proper Decals and Manuals.

1) R200-NA	North America and Australia	<b>57.00</b>
2) R200-UK	United Kingdom and Ireland	<b>65.00</b>
3) R200-FR	France	<b>140.00</b>
4) R200-SE	Sweden	<b>95.00</b>
5) R200-DE	Germany	<b>85.00</b>
6) R200-RU	Russian	<b>95.00</b>

**PREDELIVERY SERVICE IS REQUIRED BY DEALER OR END USER**

ver6142011mm

Prices and specifications subject to change without notice or obligation.



This list supersedes all previous lists.  
 All prices F.O.B Englefeld, Saskatchewan

**USA**

**MACHINE PRICES AND SPECIFICATIONS**

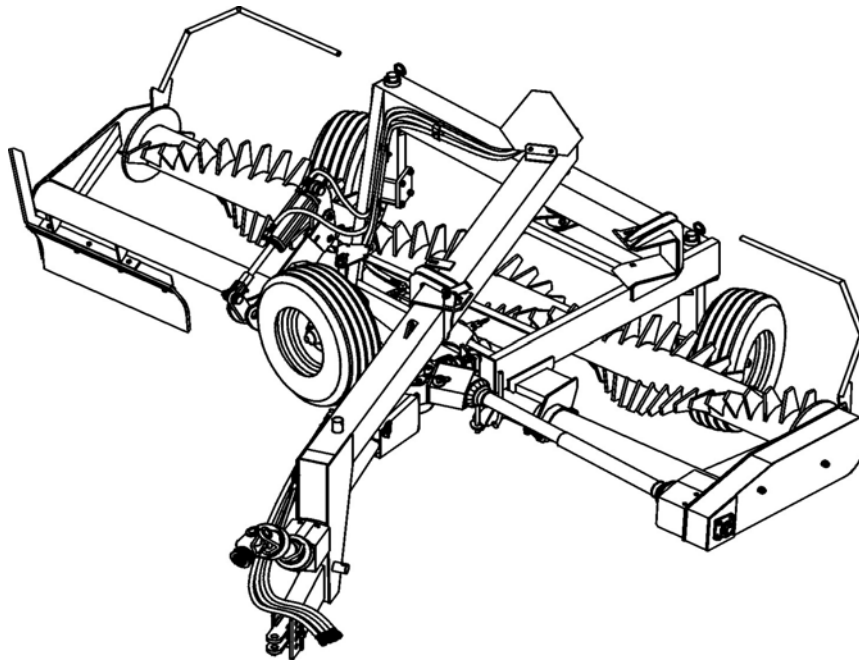
Effective June 10, 2011


**SRW1400 Rock Windrower**


~ ~ *Selection 4 ~ Extra Options* ~ ~

		Price USA	Wt/lbs
1)	<b>R200-260</b> Selector Valve Kit for SRW1400. Required when tractor has only single set of hydraulic outlets.	<b>458.00</b>	20
2)	<b>R200-220</b> CE Shield Kit for SRW1400	<b>3,384.00</b>	512
3)	<b>S000-065</b> Safety Light Kit for SRW1400	<b>1,344.00</b>	31
4)	<b>R000-200</b> High Speed Sprocket (for gravel reclamation)	<b>69.00</b>	9

**Assembly Charge    Net    410.00**



ver6142011mm

**PREDELIVERY SERVICE IS REQUIRED BY DEALER OR END USER**

Prices and specifications subject to change without notice or obligation.



This list supersedes all previous lists.  
 All prices F.O.B Englefeld, Saskatchewan

**USA**

**MACHINE PRICES AND SPECIFICATIONS**

Effective June 10, 2011



## SRW800 Rock Windrower



### SPECIFICATIONS

- |   |                                     |
|---|-------------------------------------|
| - Variable Hydraulic Drum Angle 0 degrees to 18 degrees | - Drum Speed -- 102 rpm @ 540 input |
| - Horsepower Required --- 35hp to 100hp                 | - Tires -- 16.5 x 6.5 x 8 ply       |
| - Maximum Ground Speed -- 5mph                          | - Transport Width -- 8.5'           |
| - Recommended Ground Speed -- 2mph                      | - Transport Length -- 67"           |

**HOW TO ORDER:** You must select from 1 and 2 to receive a complete rock windrower.  
 To receive additional options, choose from selection 3.

~ ~ **Selection 1 ~ Choose a Basic Unit** ~ ~

	Price USA	Wt/lbs
1) R300-000 SRW800 Standard 8' Unit	<b>10,295.00</b>	1350

~ ~ **Selection 2 ~ Choose a Destination Code** ~ ~

Please select the destination of the windrower for proper Decals and Manuals.

1) R300-NA North America and Australia	<b>48.00</b>
2) R300-FR France	<b>112.00</b>
3) R300-SE Sweden	<b>107.00</b>
4) R300-RU Russian	<b>93.00</b>

~ ~ **Selection 3 ~ Extra Options** ~ ~

1) R300-130 CE Shield Kit for SRW800	<b>641.00</b>	167
2) R000-200 High Speed Sprocket (for gravel reclamation)	<b>69.00</b>	9

ver6142010mm

**PREDELIVERY SERVICE IS REQUIRED BY DEALER OR END USER**