



Wheatheart

2010

United States Whole Goods And Parts Price List

LIVESTOCK EQUIPMENT AND 3RD PARTY MOVER KITS

THIS LIST SUPERSEDES ALL PRICE LISTS ISSUED PRIOR TO May 1, 2010

Post Pounder

Wheatheart Manufacturing US Price List Effective May 1, 2010

PART #	MODEL#	DESCRIPTION	PRICE	BACK FREIGHT	WEIGHT LBS
--------	--------	-------------	-------	--------------	------------

S2000 POST POUNDER

2311110	S2000	Post Pounder w/Hugger **	\$5,590	\$335	720
2311110SU		Setup, S2000 (NET PRICE)	\$150	\$9	
2311153		Self Contained Hydraulic Kit, S2000	\$1,295	\$78	50

** **OPTIONAL WEIGHT KIT** available see **PARTS** pg 13

HIGH & HEAVY HITTER POST POUNDER - TRAILER TYPE

2302000H	HH6200	Heavy Hitter Post Pounder w/ 9HP	\$12,590	\$755	2580
2302005H	HH6400	Heavy Hitter Post Pounder w/ 13HP	\$13,010	\$781	2590
2301000H	HH6000	Heavy Hitter Post Pounder w/ PTO	\$11,529	\$692	2580
2302005HSP	HH8000	Heavy Hitter Self Propelled Post Pounder w/ 13HP	\$17,510	\$1,051	2940
2302007HSP	HH8200	Heavy Hitter Self Propelled Post Pounder w/ 18HP Kohler Engine	\$18,990	\$1,139	2990

HIGH & HEAVY HITTER GUARD RAIL POST POUNDER - TRAILER TYPE

2302006H	HH6600	Heavy Hitter Guard Rail Post Pounder w/ 13HP	\$13,735	\$824	2580
----------	---------------	---	-----------------	--------------	------

HIGH & HEAVY HITTER PLUS POST POUNDER - TRAILER TYPE

* Includes counter weight and stabilizer leg

2308025H	HH7200	Heavy Hitter Plus Post Driver w/ 13HP	\$15,898	\$954	2930
2312000H	HH7000	Heavy Hitter Plus Post Driver w/ PTO	\$13,809	\$829	2930

HIGH & HEAVY HITTER - 3 POINT HITCH SIDE MAST

2306000	HH3000	Heavy Hitter 3 Point Hitch	\$10,182	\$611	2220
---------	---------------	-----------------------------------	-----------------	--------------	------

HIGH & HEAVY HITTER PLUS 3 POINT HITCH SIDE MAST

2307000	HH3200	Heavy Hitter Plus 3 Point Hitch	\$13,496	\$810	2450
---------	---------------	--	-----------------	--------------	------

HIGH & HEAVY HITTER CENTER MAST POUNDER

2318002	1+2	HH5000	Skid Steer Center Mast Pounder with Self Contained Hydraulics	\$10,397	\$624	1850
2318003	1+3	HH5200	Skid Steer Center Mast Pounder with out Self Contained Hydraulics	\$8,396	\$504	1500
2318000	4+5	HH5400	3-Point Hitch Center Mast Pounder with Self Contained Hydraulics	\$9,412	\$565	1760
2318001	4+6	HH5600	3-Point Hitch Center Mast Pounder with out Self Contained Hydraulics	\$8,029	\$482	1410

- | | |
|----------|---|
| 1 | Skid Steer model comes complete with universal quick attach bracket |
| 2 | Self-contained unit comes with hydraulic pump/motor combination |
| 3 | Non self-contained unit comes without hydraulic pump/motor combination |
| 4 | 3-point hitch model comes complete with 3 point category I/II mounting bracket |
| 5 | Self-contained unit comes with PTO pump |
| 6 | Non self-contained unit requires separate return line (not supplied) to tractor reservoir (by customer) |

Post Pounder- Options

Wheatheart Manufacturing US Price List Effective May 1, 2010

OPTIONS - ALL TRAILER POUNDERS

		LIST PRICE	BACK FREIGHT
2309001	Water Spike Kit	\$3,334	\$200
2300041	Ball Hitch Adapter	\$146	\$9
2300142A	Retrofit Post Hugger (For Heavy Hitter models pre-2001)	\$1,352	\$81

PILOT AUGER POWER HEAD

2319000	Side Mast Model - Non-Self Contained	\$3,378	\$203
2319004	Side Mast Model - Self Contained	\$3,378	\$203
2319001	Center Mast Model (prior to s/n 203714 require 2319002)	\$3,378	\$203
2319002	Retrofit Kit for Center Mast (s/n prior to 203714)	\$106	\$6
2319043	Install Pilot Auger (Net Price)	\$198	\$12

HEAVY DUTY AUGERS W/ROCK BIT HEADS, AUGER STABILIZERS

2319020	4" Rock Bit	\$791	\$47
2319021	6" Rock Bit	\$1,467	\$88
2319067	Stabilizer for 4" auger	\$50	\$3
2319068	Stabilizer for 6" auger	\$56	\$3

SQUARE POST HUGGER

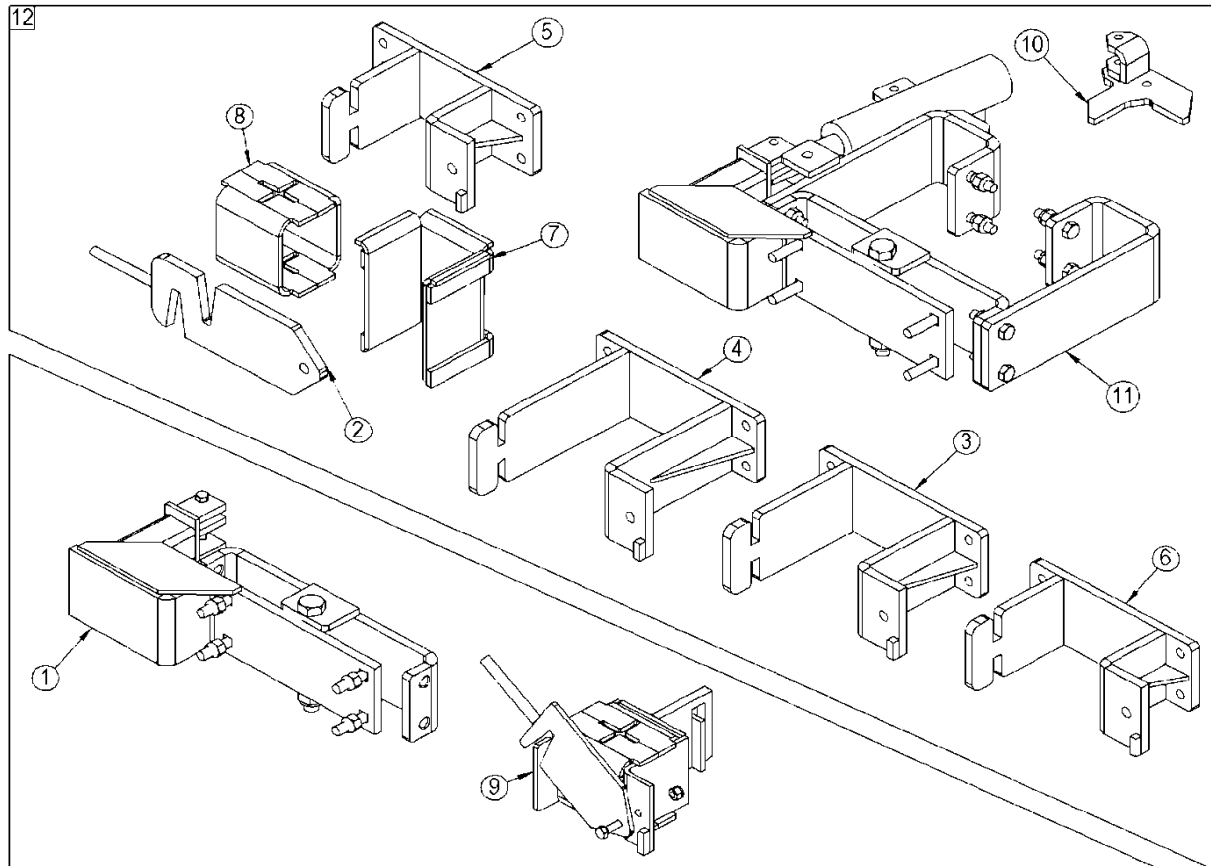
Wheatheart Manufacturing US Price List

Effective May 1, 2010

The square post hugger provides a safe and secure means of holding square posts of a variety of sizes. A special adapter also allows T-posts to be secured in a square or round post hugger. Designed with a pivot mechanism to rotate square posts should they start to turn while being driven.

			LIST PRICE	BACK FREIGHT
1	2320000	Base, Upgrade Kit (w/o cylinder & hugger arms)	\$211	\$13
2	2320014	Hugger Die Handle	\$96	\$6
3	2320006	Hugger Die 6x6	\$131	\$8
4	2320007	Hugger Die 6x8	\$149	\$9
5	2320004	Hugger Die 4x4	\$118	\$7
6	2320005	Hugger Die 4x6	\$132	\$8
7	2320009	Hugger Die 4x4 Finished Post Adapter (requires 2320004)	\$50	\$3
8	2320010	Hugger Die T-Post (requires 2320004)	\$64	\$4
9	2320013	Hugger Die T-Post W/Handle (fits on round post hugger)	\$135	\$8
10	2320015	Guard Rail Pounder Cylinder Mount (required for driving posts to 28")	\$47	\$3
11	2320002	Base Kit w/ Cylinder & Hugger Arms	\$1,083	\$65
12	2320003	Complete Kit, Includes All Dies & Base (w/ cyl. & hugger arms) (less 2320013)	\$1,496	\$90

Note: Items **(1)** and **(2)** required to upgrade round post hugger to square post hugger in addition to size of hugger die items **(3)** to **(8)**. The t-post die **(8)** and Hugger Die **(7)** fits into the 4x4 die **(5)**. Guard rail cylinder mount **(10)**, is used to mount the cylinder upside down for special cases when the hugger is mounted low to the ground when pounding guard rails.



POST HOLE AUGERS

Wheatheart Manufacturing US Price List Effective May 1, 2010

POST- HOLE AUGER

Post-Hole Auger Power Head fits onto most tractor buckets and skid steer buckets. The self aligning auger works in all soil types and can be reversed in direction. Features quick attach for easy mounting, replaceable cutting teeth and pilot bit. Complete bits approximately 70" long (Wt. approx. 200 lbs.)

		LIST PRICE	BACK FREIGHT
0500000	Post-Hole Power Head, Bolt on	\$1,155	\$69
0500000A	Post-Hole Power Head, c/w quick attach chain clamp	\$1,328	\$80
0505708	15" bit, complete, wt. 120 lbs.	\$1,030	\$62
0501708	12" bit, complete, wt. 110 lbs.	\$829	\$50
0502708	9" bit, complete, wt 100 lbs.	\$750	\$45
0506708	6" bit, complete, wt. 55 lbs.	\$657	\$39
0504708	4" bit, complete, wt. 34 lbs.	\$611	\$37
0500001	Display Rack for Single Post-Hole Auger & bit	\$64	\$4
0500001A	Display Rack for Single Post-Hole Auger & 3 bits	\$79	\$5
0500002	Quick attach chain clamp with two load binders	\$269	\$16
0500003	Skid Steer Bracket	\$404	\$24
0500739	1' Extension	\$180	\$11
0500724	2' Extension	\$188	\$11
0500725	3' Extension	\$230	\$14
0500737	4' Extension	\$267	\$16
0500738	5' Extension	\$281	\$17

SELF PROPELLED AUGER TRANSPORT

Wheatheart Manufacturing US Price List Effective May 1, 2010

S.P. AUGER KIT #1 (Need to add size of auger)

Self-Propelled Auger Kit complete with Super Sweep Bin sweep (8" dia. R.H. flighting with backboard), hyd. pump and reservoir, hydraulic winch kit, transport system, double wheel gear drive, plus all brackets, belts, hoses, pulleys. (Wt. approx. 400 lbs.)

		LIST PRICE	BACK FREIGHT
0205000	S.P. Kit #1 with Super Sweep	\$6,309	\$379
0205000A	S.P. Kit #1 Less Super Sweep	\$5,430	\$326

S.P. AUGER KIT #2 (Need to add size of auger)

Self-Propelled Auger Kit complete with hydraulic pump kit, reservoir, hydraulic winch kit, transport systems, double wheel gear drive and all brackets, belts, pulleys and hoses. (Wt. approx. 275 lbs.)

0202000	S.P. Kit. #2	\$4,563	\$274
---------	--------------	---------	-------

S.P. AUGER KIT #3 (Need to add size of auger)

Customer must own a new-style Wheatheart Bin sweep with gear pump, oil reservoir and Relief Valve. Self-Propelled Auger Kit less hyd. pump kit. Includes hyd. winch kit, transport system, double wheel gear drive, all brackets and hoses. (Wt. approx. 225 lbs.)

0203000	S.P. Kit. #3	\$3,960	\$238
---------	--------------	---------	-------

S.P. HEAVY DUTY KIT #2 / #3 (Need to add size of auger)

Heavy duty self-propelled kits are needed for augers larger than 8 x 52' (8 x 1600).

0202000H	S.P. Heavy Duty Kit #2	\$5,216	\$313
0203000H	S.P. Heavy Duty Kit #3	\$4,424	\$265

S.P. INSTALLATION CHARGE

0200001	Install Regular Auger SP Kit (NET PRICE)	\$420	\$25
0200001H	Install Auger SP Heavy Duty Kit (NET PRICE)	\$683.55	
0200001HA	Install Conveyor SP Heavy Duty Kit (NET PRICE)	\$1,008	\$60
0200001HH	Install SP Kit (Super Heavy Duty) (NET PRICE)	\$2,635.50	

OPTIONS

MAIN OPTIONS

0603000	Electric Clutch Engine Mount Kit, 1-1/8" shaft only	\$872	\$52
0603006	Electric Clutch Engine Mount Kit, 1" shaft only	\$872	\$52
0600001	Installation Charge, Electric Clutch (Labor Only, Net Price)	\$131.25	
17634	Hydraulic Winch Kit-comes with complete fittings and bolts	\$987	\$59

Wheatheart US Price List as of May 1, 2010

Part Number	Description	Each
0103417	Rubber motor mounts	\$9.72
0200014	SHIM,AXLE,SAKUNDIAK,TOP&BOT (PAIR)	\$10.94
0200014A	SHIM,AXLE,FARMKING/WESTFIELD,PAIR	\$10.42
0200308	CYL,2X15.625X1.125 ROD (1" @ END)	\$304.70
0200333	PINION GEAR,1 ID,3/8HOLE,W/ROLL PIN	\$49.39
0200333A	PINION GEAR,1 ID,1/4 KEYWAY&SETSCRE	\$49.77
0200334	Ring gear with 4 set screws	\$101.97
0202014	WHEEL V-FRAME,HD,WALKING AXLE STYLE	\$245.53
0202015	Tandem axle WELDMENT,HD SP	\$151.94
0500005	GUARD, POLY, POST HOLE AUGER BOLT	\$24.31
0500701	Bracket, Bucket bracket	\$103.32
0500702	Knuckle	\$228.52
0500703	Head plate,COMPLETE WELDMENT	\$409.63
0500704	Nut CASTLE 1-14UNS GR2 (spindle)	\$11.43
0500705	WASHER FLAT SAE 1 PLT	\$1.22
0500706	Hub,HA614,bearings,dust cap,seal	\$111.83
0500706B	HUB,HA614,BRGS,CAP,SEAL,WSHR,CTRPIN	\$126.41
0500707	Spindle with sprocket	\$111.83
0500708	Bracket, Motor mount bracket	\$54.70
0500711	Sprocket, 80 X 10T, motor	\$36.47
0500711B	CHAIN LINK,#80,CONNECTOR LINK	\$8.87
0500712	CHAIN, #80, 39 LINKS W/CONNTR LINK	\$74.15
0500715	CHAIN GUARD W/HOLES	\$92.26
0500718	Pilot bit with bolt	\$108.18
0500719	Tooth, Pointed cutting tooth (rear)	\$17.02
0500720	Tooth, Flat cutting tooth (front)	\$17.02
0500721	Rubber lok	\$2.43
0500722	TOOTH,FLAT,CUTTING W/NUB(FRONT)	\$15.06
0500726	Bearing, Outer NTN-4T-LM48548	\$23.09
0500727	Race, Outer NTN-LM-48510	\$9.72
0500728	Bearing, Inner NTN-4T-LM603049	\$25.53
0500729	Race, Inner NTN-LM603011	\$14.59
0500730	Seal, inner NTN-20148	\$9.72
0500731	Dust cap	\$10.94
0500733	TOOTH, CHISEL, CARBIDE (W/INSERTS)	\$31.60
0500734	Tooth, Pointed tooth Carbide	\$31.60
0500740	Clamp, Quick attach chain clamp	\$164.09
0500741	Load binder	\$57.13
0500750	Pilot bit, Carbide	\$229.73
0501722	AUGER ASSEMBLY, 12" PHA	\$391.39
0501723	BIT HEAD, 12" COMPLETE	\$562.78
0502722	AUGER ASSEMBLY, 9" PHA	\$371.94
0503722	AUGER ASSEMBLY, 6" PHA	\$334.26
0503750	DRIVE LUG, 6" (PRIOR SPRING 1992)	\$115.47
0504722	AUGER ASSEMBLY, 4" PHA	\$305.09
0504751	DRIVE LUG, 4"	\$25.00
0504752	BIT, 4" FISHTAIL BIT	\$100.00
0504752A	BIT, 4" FISHTAIL BIT *CARBIDE	\$250.00
0505722	AUGER ASSEMBLY, 15" PHA	\$457.03
0505723	BIT HEAD, 15" COMPLETE	\$457.03
0505751	BIT, 6" FISH TAIL BIT O/S	\$341.56
0506723	BIT HEAD, 6" COMPLETE	\$371.94
0510007	PIN,3/4 X 7-5/16	\$8.51
0510010	Chain, #50 LINK, 1/2 link off set	\$3.77
0510013	SPINDLE WITH SPRKET,411,COMPACT PHA	\$64.42

Wheatheart US Price List as of May 1, 2010

Part Number	Description	Each
0510014	LOAD BINDER, 3/16"-1/4"	\$66.85
0510015	CHAIN,#50,26-7/8" (43 PITCHES)	\$40.11
0510016	SPROCKET, 50X12T,1 BORE,1/4 KEYWAY	\$19.45
0600550	Bearing sleeve TF IR 273220	\$43.76
0600552	Bearing, TF HJTT 324120	\$86.30
0600554	Hub	\$176.25
0600556	Electromagnet	\$503.22
0600558	Clutch plate (armature assy)	\$350.07
0600560	Brushes with swivel	\$256.47
0600561	Snap ring, External 1 3/4	\$8.51
0600562	Pulley, 12, Double B **REINFORCED	\$336.70
0600563	Washer Machine	\$3.65
0600564	Grease nipple	\$6.08
0600565	Washer, brass machine washer	\$7.29
0601006	BOLT HEX 3/8 X 3 UNC GR8 PLT	\$4.86
0601007	NUT NYLOCK 3/8 UNC PLT	\$1.22
0601008	WASHER FLAT 3/8 PLT	\$1.22
1000002	Face plate for 009 series motor	\$69.20
1000004	Seal, face plate, shaft (pressure)	\$23.07
1000005	Seal, face plate, (dust) (009)	\$14.57
1000009	Seal kit, Charlynn (H series, 009)	\$69.20
1011002	MOTOR, HYD,4.5 CUIN,1/2 NPTF, KEYED	\$731.85
110001	BELTING 17.4X44.25 W/TOOTH HOLES	\$127.63
110002	BELTING,17.5X44.25W/O TOOTH HOLES V	\$136.14
110003	BELTING,REAR W/GUIDE 17.5X53.5 (VI	\$179.89
1100625	FTG,STL,ELB,1/2NPSM X 3/8M NPT	\$18.23
1100626	SCREW,5/16X2 SOCKET HEAD CAP SCREW	\$2.43
1200011	Cap, 22/35L reservoir or gas tank	\$10.92
1200020	FTG,STL ,BLKHD X 1/4HB	\$14.57
1200023	HOSE, 4' OF 1/4" HOSE	\$5.10
1200024	CLAMP, HOSE 1/4"	\$3.77
1290292	MOTOR, HYD.79CUIN J-SERIES(WATERKIT	\$403.55
1600029	VALVE,5 SPL,W/JOYSTK W/LEVER NO FTG	\$1,000.65
1600030	LEV,5/6 SPOOL,JOYSTICK,BK M12X250	\$19.45
1600030X	Lever,5/6 SPOOL,Joystick,BK,contour	\$27.96
1600031	VALVE,6SPL W/2JOYSTK,W/LEVER,NO FTG	\$1,523.55
1600031-1	VALVE,6 SPOOL,NO LEVERS/FTGS	\$1,440.60
1600031-2	JOY STICK RUBBER BOOT	\$44.97
1600031-3	CONTROL LEVER RUBBER BOOT	\$14.57
1600031-4	LEVER PIVOT BOX FOR JOYSTICK,SD11	\$210.28
1600034	5 SPOOL VALVE COMPACT COMPLETE	\$748.65
1600035	VALVE,4 SPOOL,NO LEVERS/FTGS	\$785.40
1600036	HYD CTRL VALVE,4 SPL,W/FITTINGS,LEV	\$978.60
1600037	VALVE,2 SPOOL,NO HANDLES/FTGS	\$512.94
1600039	CONTROL LEVER,SD5 VALVE,BENT	\$4.86
2300002	Spindle,614 w/plate & gussets	\$98.46
2300004	BOLT,WHEEL,WB12 (9/16 DIA)	\$1.52
2300005	WHEEL,15X6X6 BOLT,WHITE	\$57.37
2300006	Link plate	\$105.75
2300007	Lower half slider holder	\$258.90
2300008	SLIDER HOLDER, UPPER	\$181.11
2300009	Slider box	\$309.95
2300010	Cyl,3x8x1.25ROD,BALL ENDS,F/B TILT	\$371.94
2300013	Hitch drawbar	\$150.72
2300014	Jack, screw jack w/spring pin	\$137.35

Wheatheart US Price List as of May 1, 2010

Part Number	Description	Each
2300015	Hose holder spring with bolt	\$36.47
2300016	TANK,24L RESERVOIR,38"PND W/FITTING	\$125.20
2300017	FTG,STL,10M?ORB X 5/8HB	\$44.97
2300018	FTG,STL,BLKHD X 3/4 (RETURN)	\$36.47
2300019	Reservoir strap,1/8 x 3/4 x 24 1/2	\$8.51
2300023	Impact head assembly o/o/s	\$1,806.00
2300024	Cyl,Head lift, old style	\$664.88
2300025	Mast O/S	\$514.16
2300026	Energy absorber (top/little)	\$61.99
2300027	Energy absorber (bottom/big)	\$96.02
2300028	ZERK,5/16,PRESS-IN STYLE(YELLOW ZINC	\$1.22
2300038	PUMP SAFETY SHIELD W/BOLT OBS	\$53.48
2300041	BALL HITCH ADAPTER FOR POUND,2"BALL	\$146.00
2300042	Motor mounting plate o/s	\$324.54
2300043	Bracket, PTO pump bracket w/chain	\$35.25
2300043-2	SNAP LINK,5/16X3 3/16(OPENING 3/8")	\$1.22
2300043-5	CHAIN,3/16X16 LINKS(16.25"W/CUTLINK	\$2.43
2300043A	Bracket, PTO pump bracket NO CHAIN	\$55.91
2300049	COUP,PTO QUICK,1000,1-3/8SPLINEX7/8	\$123.98
2300050	CPLR,PTO QUICK,540,1-3/8 SPLINEX7/8	\$119.12
2300053	FTG,STL,3/4MNPT X 1/2NPSM	\$19.43
2300054	SEAL KIT, MAST CYL 95/96 POLY/DUST	\$27.96
2300055	Seal kit, tilt/swivel cylinder	\$71.71
2300060	Lever pivot box (5/6 spool valve)	\$78.91
2300063	LEVER,CONTOURED,RED,HAMMER	\$18.23
2300064	End cap complete W/spring 5/6 Spool	\$24.31
2300065	CAP SPRING (5/6 SPOOL VALVE)	\$14.59
2300067	SCREW, CAP END (5/6 SPOOL VALVE)	\$2.43
2300068	SLIDE WEAR PLATE 2 5/8 X 4 ELLEN	\$9.72
2300069	Hammer head	\$639.36
2300071	Motor protector plate o/s	\$53.48
2300072	TIRE,P235/75R15 (NET PRICE)	\$79.01
2300073	Ram stop	\$36.47
2300074	CHAIN,5/16X1.655X21 LINKS (26")	\$17.02
2300075	CAP,ALUM,MAST CYLINDER,HH	\$111.83
2300075A	Cap with seals (alum),HH	\$168.96
2300076	CYL,3 X 8 X 1.25ROD,REINF,I/O TILT	\$371.94
2300077	PUMP,GEAR,REAR PORTS,PTO,L25507	\$697.70
2300078	LEVER,5/6 SPOOL VLV,STR,BK M110/200	\$17.02
2300081	GUIDE,CYLINDER,MAST,1-1/2IDX1-5/16	\$18.23
2300081A	GUIDE,CYLINDER,MAST,1-1/2IDX1-1/8	\$18.23
2300081C	GUIDE,CYLINDER,MAST,1-5/8IDX1-1/8	\$18.23
2300082	Motor mounting plate	\$164.09
2300083	Motor mount tabs	\$13.37
2300086B	Hose kit (3Pnt), all hoses/fittings	\$638.14
2300091	Hose kit, PTO pounder	\$733.95
2300092	Hose kit, Gas drive pounder	\$733.95
2300093	Hose kit, PTO with hugger	\$733.95
2300094	Hose kit, GAS w/hugger	\$733.95
2300101	HAMMER SKIRT ASSEMBLY	\$55.91
2300102	MAST PIVOT	\$105.75
2300108	SLIDER HOLDER, UPPER	\$159.23
2300111	ASSEMBLY, PIVOT	\$424.21
2300114	Impact head assembly, Prior 1999	\$1,837.50
2300115	Cyl,head lift, 1998/older	\$657.59

Wheatheart US Price List as of May 1, 2010

Part Number	Description	Each
2300116A	HEAD, HAMMER HEAD, CAST, 1" HOLES	\$666.10
2300117-1	BUMPER,BIG,NOT CUT (ENERGY ABSORBER	\$72.93
2300118	BUMPER,SMALL,CUT (ENERGY ABSORBER)	\$27.96
2300119	Hammer stop old style	\$184.76
2300120	Mast assembly o/s	\$324.54
2300121	SLIDER TUBE	\$329.40
2300124	SEAL KIT,3X1.25,TILT CYLS,8 PCS	\$71.71
2300125	SEAL KIT,2X1.125,7 PCS	\$17.02
2300126	SEAL KIT,2X1.125, HUGG CYL,8 PCS	\$17.02
2300127	TUBE, 1-1/2 X 1, MACHINED	\$3.65
2300128	TILT STOP KIT	\$542.12
2300142	Hugger assembly kit (1998-)	\$1,371.30
2300142A	Hugger assembly kit (1999+)	\$1,352.00
2300143	PUMP,GEAR,W/SIDE PORTS,D22AA2A	\$409.63
2300144	Flange, pump mounting flange	\$77.79
2300145	COUPLER,LOVEJOY,COMPLETE,1/2 X 1	\$98.46
2300146	HUB FOR PUMP, 1/2"	\$38.90
2300147	Rubber insert	\$24.31
2300148	HUB FOR ENGINE, 1"	\$40.11
2300149	TRAILER FRAME,HEAVY HITTER,GAS	\$3,187.80
2300149-21	MOUNT, Weld on tube for jack	\$19.08
2300149-27	ENG MOUNT,TRAILER POUNDER,UBOLT-ON	\$3,187.80
2300150	Coupler guard	\$9.72
2300155	SEAL KIT (MAST) 1997 (W/O BUFFER)	\$27.96
2300157	Seal kit (mast) 1998 (w/buffer)	\$57.05
2300158	Seal kit (hitch/slide/sp cyl) 1998	\$47.34
2300159	FTG,STL,20MORB X 1FNPT	\$19.45
2300162	Valve plate, 5/6 spool	\$53.48
2300163	STAND, VALVE BODY	\$36.47
2300163-1	CHAIN,5/16X2.5,GR30,BLACK HARR	\$9.72
2300163-2	WING BOLT,PIPE HOLDER/VALVE HOLDER	\$10.94
2300164	Frame, hugger, left o/s	\$92.38
2300165	Frame, hugger, ram side	\$168.96
2300166	Cyl,2x5.5x1.125 ROD, w/tab (HUGGER	\$295.37
2300167	Mount, hugger stationary roller	\$176.25
2300168	HUGGER CONE,Plastic	\$20.66
2300168B	HUGGER CONE,CAST IRON	\$40.00
2300168-1	TUBE,DOM,1-1/4X.240WX1/2	\$1.22
2300169	Pin, 3/4 X 3-7/32,3/16 X 1+B597	\$4.86
2300170	Arm, hugger	\$226.08
2300170-7	SLUG, THREADED (HUGGER)	\$24.31
2300171	Arm, roller (hugger)	\$218.79
2300172	USE 2300170-7	\$24.31
2300173	Bolt, Acme (hugger)	\$83.87
2300174	Nut, travelling c/w tabs	\$36.47
2300178	PUMP,GEAR,REAR PORTS,PTO,L25505	\$697.70
2300179	Eyelet Tilt Cyl Rod End Reinforced	\$94.81
2300179A	Eyelet Tilt Cyl Rod End (not reinfo	\$91.16
2300181	Skirt, mast	\$55.91
2300181-3	SKIRT BELTING,3/16X5X35-5/8	\$25.53
2300182	Mast/hammer assy, complete INCL Hea	\$3,034.50
2300184	Pump, gear, w/side ports D17AA2A	\$334.26
2300185	FRAME, MOUNT HUGGER	\$92.38
2300186	Frame, hugger Ram side n/s	\$168.96
2300187	CYL,MAST (n/s 1999)	\$686.76

Wheatheart US Price List as of May 1, 2010

Part Number	Description	Each
2300187-7	ROD,HH MAST CYL,W/WELDED BOLT	\$229.73
2300188	Impact head assy (n/s) VER	\$1,876.35
2300189	STOP PLATE	\$36.47
2300190	MAST	\$562.78
2300198	PIN,COTTER,3/16 X 2	\$1.22
2300199	WHEEL,14X X4 BOLT	\$64.42
2301003	HYD CTRL VALVE,6 SPL,W/FITTINGS,LEV	\$1,701.00
2301004X	ASSY, HUGGER *VER **NO HOSES NONPHA	\$1,433.25
2302001	GAS DRIVE CONV. KIT W/9HP ENGINE	\$1,676.85
2302002	KIT, 9HP	\$2,342.55
2302003	KIT, HOSE, GAS PNDR COMPLETE	\$69.28
2306015	POUNDER FRAME,3 POINT,HH	\$1,132.95
2306016	PIN,LFT ARM,CAT2,1-1/8X1-1/8X6-11/2	\$17.02
2306020	Pin,Lynch,7/16x1-3/4 (3pt pounder)	\$4.86
2306021	HYD CTRL VALVE,5SPL,W/FITTINGS/LEVE	\$1,089.90
2306026	MT, PTO PUMP STORAGE, 5" TUBING	\$34.03
2306030	HOSE KIT(3PNT)ALL HOSES INCLPTO/HUG	\$527.53
2306031	FTG BAG,3PT POUNDER	\$126.41
2308001	Mast assembly	\$1,499.40
2308002	Impact head assembly +	\$4,023.60
2308003	CYL,HH PLUS MAST	\$1,533.00
2308003-2A	ROD,HH PLUS MAST CYL,W/WELD BOLT	\$687.98
2308003-3	TUBE, HH PLUS MAST CYL, WELDED	\$687.98
2308003A	Alum cap w/seals, MILL/HH PLUS	\$156.80
2308004	CAP,ALUM,MAST CYLINDER,HH PLUS	\$115.47
2308005	PL,CNTERWT PLUS,1-1/4X11-1/2X59-1/2	\$577.37
2308006	STABILIZER LEG,HH PLUS	\$160.45
2308007	Bracket, mounting, downrigger	\$58.34
2308008	Downrigger upper arm	\$18.23
2308009	Downrigger lower arm	\$10.94
2308010	Downrigger leg	\$52.27
2308011	Spring pin, downrigger	\$10.94
2308012	Pin, 3/4 x 3	\$3.65
2308013	Locking hitch pin, 3/4 x 2	\$3.65
2308014	SPRING,5/8 ODX5/8-1 1/2 X 1/32 WIRE	\$8.51
2308015	IMPACT HEAD, HH PLUS, W/O SLIDER	\$4,023.60
2308020	SEAL KIT,MILL PNDR(CYL),1"TS00115	\$42.54
2309001	Water kit option (complete)	\$3,334.00
2309002	Pump, 2.3 gpm @2000 psi	\$784.35
2309003	Nozzle, #2.0	\$35.25
2309005	Wand, ASSY	\$105.75
2309005-4	SPLASH GUARD (8" X 8")	\$26.74
2309006	TANK,246L(65GAL)RESERV,RED (W/LID)	\$588.31
2309006A	Lid only (replacement)	\$34.03
2309008	FTG,STL?,10MORB X 8MJIC	\$6.08
2309009	FTG,STL,8MORB X 8FJIC SWVL	\$8.51
2309010	VALVE, SINGLE SPOOL(NO LEVERS/PLUG)	\$358.57
2309010-1	LEVER,1 SPOOL VALVE,BK(WATER SPIKE)	\$10.94
2309010-2	POWER BEYOND FTG SINGLE SPL,WTR SPK	\$29.17
2309011	Trigger gun	\$49.84
2309012	BRACKET FOR MNTING PUMP/MOTOR(WATER	\$61.99
2309013	Mount,Single Spool Valve,Water Spik	\$30.39
2309014	STRAP, TANK MT, WATER SPIKE	\$59.56
2309015	PL,WTR SPIKE PUMP/MOTOR ADPT,7 HOLE	\$43.76
2309016	PL,WTR SPIKE MOTOR/PUMP ADPT,8 HOLE	\$54.70

Wheatheart US Price List as of May 1, 2010

Part Number	Description	Each
2309017	HOLDER,WAND,WATER SPIKE	\$59.56
2309022	PROTECTOR WATER SPIKE HOSE	\$44.97
2310001	Frame, 3PT COMPACT	\$499.57
2310002	Slide holder	\$282.00
2310004	Slider	\$98.46
2310005	Mast assembly	\$237.02
2310006	Impact head assembly	\$799.05
2310006-3	Hammer head	\$639.36
2310007	Stop plate	\$17.02
2310010	CYL, 3 X 8 (17.5 - 25.5)	\$250.39
2310011	CYL,2 X 12 (22-34)	\$187.19
2310012	TANK,16L RESERVOIR complete	\$75.36
2310013	Mast pin	\$19.45
2310014	Slider wear plate	\$7.29
2310017	SPRING .188 X 1.73 X 62.604 (REM)	\$76.58
2310022	Valve plate	\$32.82
2310023	Rubber stop (post driver)	\$7.29
2310024	Pin, 3/4 x 2 c/w external hair pin	\$3.65
2310025	Pin, 1 x 2 c/w external hair pin	\$4.86
2310027	Valve plate mount bracket	\$25.53
2310040	PIN,LIFT ARM,CAT2(P726),1-1/8X7/8 M	\$40.11
2310041	PIN,1X4-3/4,7/16 X 1, 3PT TOP LINK	\$13.37
2311001	FRAME, COMPACT TRAILER	\$773.85
2311003	Hitch	\$71.71
2311006	Post rack	\$64.42
2311007	BENT PULL PIN, 3/4	\$8.51
2311154	S2000 HAMMER WEIGHTS	\$595.00
2318029	MAST - SKID STEER	\$443.66
2318030	VALVE PLATE - SKID STEER	\$25.53
2318033	SKID STEER STEP	\$18.23
2318037	MT.HYD MOTOR/PTO PUMP, SELF-CONT HY	\$233.38
2318042	MT,PTO PUMP STORAGE, 4" TBG	\$34.03
2318044	GUARD, SELF CONT PUMP & HYD MOTOR	\$29.17
2318045	SKID STEER ADAPTER	\$570.07
2318052	CYLINDER SAFETY LOCK	\$38.90
2318057	LOWER 3PT TAB	\$43.76
2318060	UPPER 3PT TAB	\$60.78
2318062	LOWER 3PT TAB	\$43.76
2318064	FRAME - SKID STEER POUNDER	\$1,398.60
2318066	CPLR,CHAIN,16T,1/4KEY,7/8X1BORE	\$87.52
2318068	PIN,1-1/16X4-1/4, 3/16X3	\$7.29
2318069	PIN, 1-1/4X8, 3/8X1	\$7.29
2318084	SKID STEER KIT W/O SELFCONT HYD	\$565.00
2318090	SETUP,3PT CNTR MAST W/SELF HYD	\$151.00
2318092	SETUP,3PT CNTR MAST W/O SELF HYD	\$74.00
2318094	SETUP,SS POUNDER W/SELF CONT HYD	\$157.00
2318096	SETUP,SS POUNDER W/O SELF HYD	\$80.00
2318097	SKID STEER ADAPTER (S/N 202639+)	\$570.07
2319044	SEAL KIT,2X1.25 WELDED CYL.	\$66.85
2319044A	SEAL KIT,2X1.25 WELDED CYL., (STAR)	\$58.34
2319045	FTG BAG,CENTER MAST NON-S/C PA	\$170.17
2319046	FTG BAG,SIDE MAST PILOT AUGER	\$99.67
2319047	HOSE KIT,CENTER MAST NON-S/C PA	\$202.99
2319049	PILOT AUGER ASSY,COMMON	\$2,788.80
2319054	CYL,DOUBLE 2X24,BOLTED,PILOT AUGER	\$600.46

Wheatheart US Price List as of May 1, 2010

Part Number	Description	Each
2319055	SPINDLE,PILOT AUGER,MOD 611	\$123.98
2319060	BIT HEAD,4" ROCK,5 CARBIDE TEETH	\$477.69
2319062	PILOT AUGER MOUNT TUBE WELD'T	\$266.20
2319063	PILOT AUGER POWERHEAD BASE	\$121.55
2319069	UPPER MOUNT,PILOT AUGER	\$83.87
2319070	LOWER MOUNT,TRAILER PILOT AUGER	\$104.53
2319071	LOWER MOUNT,CENTER MAST PA	\$46.19
2319072	MOUNT,2 SPOOL VALVE,CENTER MAST PA	\$14.59
2319083	BACKING PLATE,PA POWERHEAD	\$8.51
2319097	PL,14GAX3X6-1/8,7/32X2	\$2.43
2319100	MOUNT,2 SPOOL VALVE,SIDE MAST PNDR	\$17.02
2319103	TOOTH,CLAW,ROCK BIT,CARBIDE PEAK	\$24.31
2319106	BOLT GUARD, PILOT AUGER	\$58.34
2319114	BIT HEAD,4" CLAY,1-1/8HEX	\$151.94
2319115	BIT HEAD,6" CLAY,1-1/8HEX	\$220.01
2319116	BIT HEAD ADPTR,4",1-1/8HEX TO SPADE	\$85.09
2319117	BIT HEAD ADPTR,6",1-1/8HEX TO SPADE	\$96.02
2319118	BIT HEAD,FISHTAIL,4" CLAY,1-1/8HEX	\$98.46
2319119	BIT HEAD,FISHTAIL,6" CLAY,1-1/8HEX	\$136.14
2319122	TOOTH,HD,ROCK BIT,CARBIDE,5/8 WIDE	\$32.82
2320001	SQUARE POST HUGGER,COMPLETE W/O CYL	\$1,083.00
2320008	DIE,GUARD RAIL,W/HANDLE,SQUARE POST	\$197.00
2320014	DIE,LATCH,WELD'T,SQUARE POST HUGGER	\$96.00
232004	NUT FLANGE 7/16 UNC GR5 PLT (VICT)	\$1.22
2320050	PIVOT BASE, SQUARE POST HUGGER	\$27.96
2320058	HUGGER BASE, WELD'T, SQUARE HUGGER	\$51.05
237100	NUT FLANGE 1/4 100 PER	\$15.80
254001	PIN,QUICK,3/8 X 2-1/2 SQ WIRE	\$6.08
2609012	SMALL DRIVE SHIELD,S/S DRIVE WHEEL	\$13.37
324007	Seal kit	\$229.73
327001	Seal, grease	\$7.29
347001	Spring, Cover latch	\$20.66
347004	Table rod spring (super)	\$43.76
347005	Table rod spring o/s	\$38.90
347012	Wheel spring (o/s)	\$4.86
347013	Spring	\$18.23
348080	SPROCKET,50BX14T,1-1/4 BORE,1/4KEWY	\$34.03
348081	SPROCKET, 50B X 14T, 1" HUB	\$62.48
348100	Sprocket, 50 X 18T	\$64.42
348113	Collar coupling for sprocket	\$4.63
350001	SPROCKET,IDLER,50A X 13T X 5/8 BRNG	\$31.60
359001	TINE	\$1.22
359002	TINE, SPIDER	\$6.08
359100	Tine (bag of 50)	\$57.13
360003	Tire,soft trac	\$233.38
360010	Tube, tire	\$52.27
385003	WASHER FOR 4 1/2" ROLLER	\$6.62
385004	Washer 3.563 X 5.0625 ring Siemens	\$4.41
385005	WASHER 1.260 X 4.032 X 3/8	\$6.08
402003	WHEEL,c/w races	\$97.24
403448	WIND GRD ROD CLMP(FLT 1/8X2X3 1/16)	\$4.86
403454	Wind guard support, complete	\$232.16
403455	Windguard support, 7 belt	\$227.30
403456	Wind guard bracket, left	\$81.44
403457	Wind guard bracket, right	\$81.44

Wheatheart US Price List as of May 1, 2010

Part Number	Description	Each
403520	Decal, Warning Rotating Parts	\$14.59
404001	Wheel race for rim	\$10.94
404008	Spacer, long wheel	\$6.08
415	VALVE STEM (STUBBY)	\$6.08
4500059	HUB,HA411,BEARINGS,SEAL,DUST CAP	\$85.45
4500059-1	BEARING OUTER CONE (LM11949)	\$10.21
4500059-10	NUT CASTLE 3/4 UNF	\$10.21
4500059-2	RACE,OUTER (LM11910)	\$6.32
4500059-3	BEARING CONE (LM67048)	\$17.87
4500059-4	RACE (LM67010)	\$8.87
4500059-5	SEAL (SE11)	\$2.55
4500059-6	DUST CAP (DC12)	\$2.55
4500068	BOLT HEX 7/16 X 1 UNC GR5 PLT	\$1.22
4500077	CHAIN,CONNECTOR LINK,#50	\$2.55
5000001	CHAIN, #50 X 51"	\$72.93
5000002	CHAIN, #50 X 35"	\$47.40
5000003	Chain, #50 x 48 5/8	\$55.91
500013	CHAIN,1/4X24,GALV	\$19.45
700025	Formed support plate NH	\$77.79
70013	Motor drive kit, hyd	\$500.79
70016	MOTOR DRIVE KIT(HYD)**WITHOUT MOTOR	\$122.77
700367	Bolt Hex 3/4 x 14	\$30.39
700499	Caster cap tube	\$14.59
700501	Drive roller, complete *long	\$668.53
700502	Idler roller, complete, w/washers	\$596.81
700503	Idler roller complete	\$532.39
700504	Stabilizer bar assembly	\$376.81
700506	ROLLER, DRIVE 4 1/2", 7 BELT	\$663.67
700507	ROLLER, 3 1/2 " (7 BELT)	\$616.26
700508	Roller, 3 1/2 plain (7 belt)	\$510.51
700509	Stabilizer bar, 7 belt	\$387.75
700512	Wheel arm, right (o/style)	\$212.71
700513	Wheel arm, left (o/style)	\$212.71
700516	Fender, right	\$168.96
700517	Fender, left	\$168.96
700518	Gusset cover Siemens	\$25.53
700521	Wind guard support, left Siemens	\$57.13
700522	Wind guard support, right Siemens	\$58.34
700523	Cover plate, left Siemens	\$128.84
700524	Cover plate, right Siemens	\$128.84
700525	Table rod	\$51.05
700529	Bushing, 3/4 windguard 1/2x3/4xsch	\$2.43
700530	Rear Strawguard Siemens	\$25.53
700531	Front Strawguard Siemens	\$27.96
700532	Cutter bar 1	\$76.58
700533	Cutter bar 2	\$79.01
700534	Endguard Siemens	\$25.53
700535	Caster arm tube	\$18.23
700536	Hinge pin	\$38.90
700537	Bracket, Windguard adjuster, right	\$53.48
700538	Bracket, Windguard adjuster, left S	\$53.48
700541	Bushing, 1/2 x 3 1/2 regular bushin	\$6.08
700542	Bracket, shock mount	\$25.53
700545	TUBE,DOM 2X.2425W (1.515ID) X 9/16	\$9.72
700546	TUBE,DOM2X.2425W(1.515ID) X 1-1/16	\$15.80

Wheatheart US Price List as of May 1, 2010

Part Number	Description	Each
700547	TUBE, DOM 2 X .2425W (1.515ID) X 1-	\$20.66
700549	Hinge	\$42.54
700569	Bracket, lge idler sprocket (P2)	\$38.90
700580	Roller shaft drive CR 1.25 x 14 7/8	\$20.66
700582	Idler adjuster	\$10.94
700615	Key, 1/4SQ x 1-1/2	\$1.22
700620	Bracket, mounting reg 7/8	\$20.66
700645	Bearing bracket, large Siemens	\$24.31
700646	Bearing bracket, small Siemens	\$19.45
700647	Tightener bracket Siemens	\$10.94
700991	Cover plate, RH	\$99.67
700992	Cover plate, LH o/s	\$55.91
700999	Motor mount Siemens	\$36.47
701005	Fastener package for belts	\$6.08
701113	ROLLER, 4-1/2 X 1 X 106-7/8 PLAIN	\$449.74
701116	Roller, 7 belt	\$510.51
701120	Roller, 4 1/2 x 1 plain (8 belt)	\$622.34
702574	Pickup side (right), complete	\$457.03
702575	Pickup side, left, complete	\$457.03
702580	Cover latch, complete	\$35.25
702601	JD mount welded right	\$200.56
702626	Roller, 7 belt (2 3/8 x 1) w/washer	\$616.26
702643	Cutter bar 4	\$77.79
702644	Cutter bar 3	\$77.79
702654	Bracket, small idler sprocket brack	\$26.74
702656	Idler spacer bushing	\$9.72
702695	JD mount welded left	\$200.56
703504	Roller, 7 belt (3 1/2 x 1) w/washer	\$361.01
703505	Roller, 3 1/2 x 1 w/washers (8 belt)	\$596.81
703536	Roller, 3 1/2 x 1 plain (7 belt)	\$510.51
703537	ROLLER, 3 1/2" X 1" PLAIN (8 BELT)	\$532.39
703693	Shock absorber mount, LH	\$89.95
703694	Shock absorber mount, RH	\$89.95
703695	Bushing, 1/2 (Optional)	\$2.43
703696	Bushing, 1/2 x 1 3/16 long	\$2.43
703698	Bushing, 1 5/8 (Victory)	\$2.43
703699	Shock Absorber (optional)	\$119.12
704960	Bracket, header support	\$40.11
704961	Bushing, 1/2 x 4 1/2	\$4.86
707406	Wheel arm, left	\$261.33
707407	Wheel arm, right	\$261.33
707408	WHEEL AR, RIGHT, 2003 SUPER 8	\$261.33
707412	WHEEL ARM, LEFT, 2003 SUPER 8	\$261.33
707687	Caster fork	\$134.92
707688	CASTOR HUB SLEEVE, VICTORY	\$32.82
707689	SPACER, VICTORY CASTOR WHEEL ZERK	\$4.86
707690	PIPE, 1-1/4 SCH40 BK (1.66ODX1.380ID)	\$3.65
707691	BOLT W/GREASE GROOVE, VICTORY CAS	\$18.23
707694	TIRE ASSY, 18X9.5-8, 6PR, W/SLEEVE&BLT	\$89.95
707772	Fork and wheel assembly c/w spacers	\$585.87
707773	TIRE ASSY, complete SP n/s	\$382.88
707774	TIRE ASSY	\$346.42
720010	Belting, 17.5x53.5 w/holes for teet	\$243.10
720011	Belt, with tines w/fasteners	\$371.94
720024	Channel, tapered LH	\$131.27

Wheatheart US Price List as of May 1, 2010

Part Number	Description	Each
720025	Channel, tapered RH	\$131.27
720028	Strawguard, rear	\$29.17
720029	Skid plate, LH	\$54.70
720030	Skid plate, RH	\$54.70
720032	Castor arm LH	\$335.48
720060	Hinge	\$64.42
720078	Fender, LH	\$76.58
720079	Fender, RH	\$76.58
720082	Clamping bar, fender	\$10.94
720083	Bracket	\$36.47
720087	Shield assembly (side)	\$26.74
720090	Shield assy middle, left	\$59.56
720091	Shield assy middle, right	\$59.56
720121-S	Shock mount brkt, 1/4 x 4 x 10 7/8	\$30.39
720166	Filler plate J.D.	\$115.47
720169	Extended super pickup hinge	\$82.65
720205	Shock absorber kit	\$412.06
720310	Table rod kit	\$328.19
720314	Mount kit, New Holland (newer)	\$333.05
720315	Mount kit, Massey Gleaner	\$333.05
720316	Mount kit, Case IH	\$333.05
720317	Mount kit, John Deere	\$666.10
720318	Mount kit, New Holland (older)	\$325.76
74156	SHIELD WD-COMBO-P/UP,VICTORY HEADER	\$244.32
7770	NUT HEX 1/4 UNC PLT	\$1.22
800008	Side - left	\$385.32
800009	Side - right	\$401.12
800012	Front strawguard	\$34.03
800013	Rear strawguard	\$31.60
800014	Hydraulic mount	\$54.70
800015	Axle arm - left	\$80.22
800016	Axle arm right	\$80.22
800017	Rear bearing plate	\$14.59
800018	Bottom drive bearing plate	\$17.02
800019	Top drive bearing plate	\$17.02
800020	Front bearing plate	\$17.02
800025	Winguard support LH	\$51.05
800026	Windguard support RH	\$51.05
800027	Gusset cover	\$27.96
800029	Cover plate - left	\$93.59
800030	Cover plate - right	\$93.59
800032	Fender -left	\$132.49
800033	Fender - right	\$132.49
800035	Front bearing tightener	\$27.96
800100	Decal, LP2000 4 x 12 7/8	\$30.39
800200	BOLT CARR 7/16 X 1	\$1.22
8005	Grease zerk (lube fitting)	\$1.22
800506	Windguard assembly	\$537.25
82146	Bolt Capscrew 1/2 x 7 gr 5 unc (-13	\$4.86
83001	BRG,1",2 BOLT FLG,FD205,W/BRG/CAMLK	\$32.82
83003	Bearing, 1 1/4,FLANGE,FD206	\$52.27
84055	BOLT CARR 5/8 X 2 UNC GR5	\$3.65
86754	Nut 3/4 centre lock (Victory)	\$2.43
86754A	NUT HEX 3/4 (REPLACES 86754 WHL BOL	\$1.22
8800000	Motor guard, hyd	\$41.33

Wheatheart US Price List as of May 1, 2010

Part Number	Description	Each
9700005	DCL, DNGR, POUNDER ELEC HAZARD	\$1.22
9700008	DCL, WARN, FLYING PARTS HAZARD	\$1.22
9700009	DCL, WARN, HIGH PRESS FLUID HAZARD	\$2.43
9700010	DCL, WARN, ROLL OVER HAZ, POUNDER	\$2.43
9700014	DCL, WARN, SAFETY INSTRUC, POUNDER	\$2.43
9700016	DCL, WARN, CRUSH HAZARD	\$1.22
9700017	DCL, WARN, TRANSP HAZARD, POUNDER	\$2.43
9700018	DCL, WARN, FLYING DEBRIS HAZARD	\$1.22
9700019	DCL, VLV CNTRL, TRAILER	\$2.43
9700024	DCL, VLV CNTRL, SP AUGER KIT	\$2.43
9700045	DCL, HIGH AND HEAVY HITTER, VERT	\$14.59
9900008	TANK,35L RESERVOIR TOP FILL,COMP,W/	\$194.48
9900012	FTG,STL?,ELB,8M?ORB X 1/2NPSM	\$13.95
9900021	FTG,AL,1BLKHD X 3/4HB	\$15.78
9900028A	UJOINT SECTION LESS SHORT PCE 8"	\$97.24
9900038	UBOLT SQ 3/8NCX2-5/8X3-3/4X1-1/4THD	\$4.96
9900041	HOSE 3/4X5'SW,3/4NPT ONE END, W/CLP	\$38.85
9900042	SP TAB PAIR 3/8X1-1/2X4W/GUS SAK WE	\$13.37
9900042A	WELD ON SP BRACKET BRANDT SQUARE AX	\$13.37
9900042B	PL,3/8X2X4,1/2X1,WH/OLD FK/WF SP	\$13.37
9900042C	WELD ON SP TAB BRANDT ROUND AXLE	\$13.37
9900052-1	TANK,22L RESERVOIR,w/ftg/cap/hose	\$119.12
9900081	Belt, B41	\$13.36
9900096	FTG,STL?,ELB,10M?ORB X 1/2NPSM	\$17.02
9900102	Bushing insert, 3/4 to 5/8 w/keyway	\$17.02
9900124	PULLEY, 4-1/2 X 3/4, 3/16 KEYWAY	\$41.28
9900132	SCREW,1/4-14X5/8,SELF-TAPNGWF19274	\$1.22
9900133	BOLT HEX 1/2 X 1-3/4 UNC GR5 PLT	\$1.22
9900138	UBOLT SQ 3/8NCX5-1/8X4X1THD GR5 PLD	\$2.43
9900191	Bracket, overcentre pump (med pmp)	\$125.03
9900200-1	SEAL, SHAFT (D27AA1D)	\$15.78
9900202	PUMP,GEAR,MDM11GPM@3600RPMH31AA1D	\$525.10
9900203	FTG,AL,3/4HB X 10MORB	\$14.57
9900204	FTG,STL,10MORB X 1/2NPSM	\$18.21
9900216	CLAMP, GEAR (116), 32"	\$7.64
9900228	FTG,STL,8MORB X 1/2NPSM	\$16.05
9900240	ORING,#318	\$1.05
9900266	HANDLE,8" BINSWEEP,BENT,W/BUSHINGS	\$94.81
9900270	Cable tie	\$1.22
9900271	CYL,2X5.5X1.125 ROD, W/TAB (SS HUG)	\$286.86
9900286	UJOINT SECTION, 8"	\$131.27
9900296	FTG,STL,ELB,10MORB X 3/8FNPSM	\$13.37
9900316A	TIRE ASSY,4.8 - 8" (H/D - BLACK RIM	\$69.28
9900330	FTG,STL,ELB,1/2MNPT X 3/8FNPSM	\$17.02
9900331	FTG,STL,ELB,1/2MNPT X 1/2FNPSM	\$18.53
9900507	WASHER LOCK 9/16 PLT	\$1.22
9900510	BOLT HEX 3/8 X 2-1/4 UNC GR5 PLT	\$2.43
9900512	BOLT HEX 3/8 X 2-1/2 UNC GR5 PLT	\$1.22
9900514	BOLT HEX 5/16 X 2 UNC GR5 PLT	\$1.22
9900520	NUT NYLOCK 5/16 UNC PLT	\$1.22
9900523	WASHER LOCK 5/16 PLT	\$1.22
9900524	BOLT HEX 5/16 X 2-1/2 UNC GR5 PLT	\$1.22
9900528	WASHER LOCK 3/8 PLT	\$1.22
9900529	WASHER FLAT 5/16 PLT	\$1.22
9900530	BOLT HEX 3/8 X 3/4 UNC GR5 PLT	\$1.22

Wheatheart US Price List as of May 1, 2010

Part Number	Description	Each
9900531	BOLT HEX 3/8 X 1-1/4 UNC GR5 PLT	\$3.77
9900535	BOLT HEX 3/4 X 2-1/2 UNC GR5 PLT	\$1.18
9900536	BOLT HEX 1/2 X 1-1/2 UNC GR5 PLT	\$1.22
9900537	WASHER LOCK 1/2 PLT	\$1.22
9900538	NUT NYLOCK 1/2 UNC PLT	\$1.22
9900554	NUT HEX 5/16 UNC PLT	\$1.22
9900559	BOLT HEX 1/2 X 2 UNC GR5 PLT	\$1.22
9900560	BOLT HEX 1/2 X 2-1/4 UNC GR5 PLT	\$1.22
9900562	NUT NYLOCK 1/4 UNC PLT	\$1.18
9900563	BOLT HEX 1/4 X 3 UNC GR8 PLT	\$1.22
9900564	BOLT HEX 1/2 X 5 UNC GR5 PLT	\$1.22
9900565	WASHER FLAT 1/2 PLT	\$1.22
9900586	BOLT HEX 5/16 X 1-1/2 UNC GR5 PLT	\$1.22
9900602	FTG,AL,?BLKHDW/STLLHT NUT X 3/4FNPT	\$41.33
9900603	BOLT HEX 1/4 X 1 UNC GR5 PLT	\$1.22
9900604	FTG,STL,ELB,3/4MNPT X 1/2FNPSM	\$18.23
9900605	FTG,STL?,10M?JICX3/4M?NPTW/ORINING?	\$17.02
9900608	FTG,STL,NIP,1/2NPT	\$3.66
9900624	BOLT HEX 1-14 X 4 UNF GR8 PLT	\$7.29
9900627	BOLT HEX 5/8 X 2 UNF GR8 PLT	\$2.43
9900638	NUT NYLOCK 5/8 UNF GR5 PLT	\$1.22
9900639	NUT NYLOCK 1 UNC PLT	\$1.22
9900643	NUT NYLOCK 7/16 UNC PLT	\$1.22
9900646	NUT NYLOCK 1 UNF PLT	\$2.43
9900647	BOLT HEX 1/2 X 4 UNC GR5 PLT	\$1.22
9900652	FTG,STL,16MORB X 3/4FNPT	\$17.00
9900660	NUT HEX 3/8 UNC GR5 PLT	\$1.22
9900663	PIN,Roll,3/16x1-1/2 SPRING	\$1.22
9900664	BOLT HEX 3/8 X 2 UNC GR5 PLT	\$1.22
9900677	BOLT HEX 9/16 X 1 UNF GR5 PLT	\$1.22
9900678	NUT JAM 1/2 UNC PLT	\$1.22
9900683	WASHER FLAT 1/4 PLT	\$1.22
9900690	NUT NYLOCK 1/2 UNF GR5 PLT	\$1.22
9900694	BOLT HEX 3/8 X 1-1/2 UNC GR5 PLT	\$1.22
9900695	NUT NYLOCK 3/4 UNC PLT	\$1.22
9900699	BOLT HEX 3/8 X 1 UNC GR5 PLT	\$1.22
9900713	WASHER FLAT SAE 3/4 PLT	\$1.22
9900715	BOLT HEX 3/8 X 1-3/4 UNC GR5 PLT	\$1.22
9900752	FTG?,BRS,3/4 x 1/2 high pressure BU	\$6.07
9900760	NUT JAM 1 UNF PLT	\$2.43
9900783	WASHER LOCK 1/4 PLT	\$1.22
9900791	FTG,STL,TEE,3/8NPSMX3/8MNPTX3/8NPSM	\$9.72
9900797	BOLT HEX 5/16 X 3/4 UNC GR5 PLT	\$1.22
9900800	BOLT HEX 1/4 X 3/4 UNC GR5 PLT	\$1.22
9900816	BOLT HEX 1/2 X 3 UNC GR5 PLT	\$1.22
9900852	Bolt Hex M8 X 1.25 X 25 GR 8.8 PLT	\$1.22
9900860	Gauge,PRESSURE,1/4MNPT,3000PSI	\$44.97
9900862	FTG,PLSTC,5/8M?NPT X 5/8HB	\$3.65
9900865	FTG,STL,CPLR,1/4NPT?	\$2.43
9900885	FTG,STL,12MORB X 1/2FNPT	\$14.59
9900896	UBOLTSQ1/2NCX5X4-1/2X1-1/2THDGR5PLD	\$10.94
9900905	BOLT HEX 1/2 X 5-1/2 UNC GR5 PLT	\$3.65
9900909	FTG,STL,8MORBX1/2FNPSMX1/16 ORIFICE	\$13.57
9900913	BOLT CARR 1/2 X 1 1/2 UNC GR5 PLT	\$2.43
9900918	FTG,STL,TEE,1/4MNPTX1/4FNPTX1/4FNPT	\$10.94

Wheatheart US Price List as of May 1, 2010

Part Number	Description	Each
9900921	BOLT HEX 6 X 20 METRIC	\$1.22
9900936	Bolt CARR 1/2 x 2 UNC GR5 PLT	\$2.43
9900970	Pin,Cotter,3/16x1-1/2	\$1.22
9900978	BOLT HEX M8 X 1.25 X 20 GR. 8.8 PLT	\$1.22
9900991	UBOLT SQ 1/2NCX4-1/16X3	\$7.29
9900992	FTG,STL,ELB,3/4MNPT X 3/4FNPSM	\$17.02
9900993	FILTER HEAD, INLINE, 3/4" FNPT	\$71.62
9900994	FILTER HYD, 10 MICRON, 3/4"FNPT	\$17.02
9900995	FTG, STL NIPPLE, 12MP X 12MP	\$6.08
9900996	FTG,STL,ADAPTER,3/4MNPT X 3/4MJIC	\$4.86
9901001PK	MOTOR,HYD,4.6,1/2NPTF,1/4 KEYED	\$454.60
9901001PRP	MOTOR,HYD,4.6,1/2NPTF,3/8 ROLLPIN	\$420.57
9901001S	SEAL KIT,WHITE 4.6 RS MOTOR	\$71.71
9901002PK	MOTOR,HYD,6.3,1/2NPTF,1/4 KEYED	\$460.68
9901008ORBK	MOTOR,HYD,10.0,3000PSI,10 ORBØ1,KEY	\$570.07
9901242	Coupler, Motor, w/rollpin RH	\$77.69
9901242-2	PIN,ROLL,3/8x1-1/2 SPRING	\$1.22
9903242	Coupler, Motor, w/keyway RH	\$75.53
9904242	Coupler, Motor, w/keyway LH	\$77.69
H12X108P	HOSE,HYD,1/2" X 108" 8MP 8MP 1W	\$64.42
H12X110P	HOSE,HYD,1/2 X 110 8MP-8MP 1W	\$58.34
H12X110P2W	HOSE,HYD,1/2X110 8MP-8MP 2W, 4500PS	\$47.40
H12X120P	HOSE,HYD,1/2" X 120" W/ 1/2 ENDS	\$31.60
H12X132P	HOSE,HYD,1/2 X 132 8MP-8MP 1W	\$54.70
H12X138P	Hose,HYD,1/2 x 138,1/2 M/MNPT	\$64.42
H12X16	HOSE,HYD,1/2 X 16 8MP 8MP 1W	\$38.90
H12X16PH	HOSE,HYD,1/2 X 16 8MP 8MP 1W	\$18.23
H12X180P-1	HOSE,HYD,1/2" X 180" W/ 1/2" END	\$69.28
H12X18P	HOSE,HYD,1/2 X 18 8MP 8MP 1W	\$38.90
H12X192P	HOSE HYD 1/2X192,1/2MNPTX1/2MNPT,1W	\$85.09
H12X198P	HOSE HYD 1/2X198,1/2M/MNPT	\$76.58
H12X24P	HOSE,HYD,1/2" X 24" W/ 1/2" ENDS	\$32.82
H12X28	HOSE 1/2 X 28 8MP 8MP	\$40.11
H12X32	HOSE,HYD,1/2 X 32 8MP 8MP 1W	\$38.90
H12X36P	HOSE,HYD,1/2" X 36" W/ 1/2" ENDS	\$23.09
H12X42P	HOSE,HYD,1/2 X 42,1/2M/MNPT 1W	\$38.90
H12X42PS	HOSE,HYD,1/2X42,1/2FNPSM X1/2FNPSM	\$58.34
H12X48P	HOSE,HYD,1/2 X 48 8MP-8MP 1W	\$23.09
H12X54P	HOSE,HYD,1/2 X 54 8MP 8MP 1W	\$64.42
H12X64P	HOSE, 1/2 X 64" C/W 8MP X 8MP	\$46.19
H12X72P	HOSE,HYD,1/2 X 72 8MP 8MP 1W	\$51.05
H12X96P	HOSE,HYD,1/2 X 96 8MP 8MP 1W	\$87.52
H14X120	HOSE,HYD,1/4X120 4MPX(LIVE)-6MP 1W	\$79.01
H34X120P	HOSE,HYD,3/4 X 120 16MP	\$102.10
H34X168	HOSE,3/4X168,8MP ONE END,SAE 100R4	\$80.22
H34X24	HOSE,HYD,3/4 X 24 16MNPT X 12FJIC	\$47.40
H34X32P	HOSE,HYD,3/4 X 32 10MB 1W	\$55.91
H34X50	HOSE 3/4X50 8MP 12MP	\$42.54
H34X60	HOSE,HYD,3/4 X 60 12MP 1W	\$34.03
H34X70	HOSE,HYD,3/4X70,12FJIC X 16MNPT 1W	\$76.58
H34X70P	HOSE,HYD,3/4 X 70,16MNPT 1W (1 END)	\$96.02
H34X78P	HOSE,HYD,3/4 X 78 10MB	\$75.36
H34X84P	HOSE,HYD,3/4 X 84 10MB 1W	\$102.10
H38X104P	HOSE,HYD,3/8" X 104" 3/8 X 1/2	\$41.33
H38X144P	HOSE HYD,3/8X144,6FJICX1/2MNPT,1W	\$60.19

Wheatheart US Price List as of May 1, 2010

Part Number	Description	Each
H38X144PJ	HOSE HYD,3/8 X 144,6FJIC X 3/8MNPT	\$41.33
H38X158	HOSE HYD,3/8 X 158, 6FJIC X 1/2MNPT	\$45.95
H38X21P	HOSE HYD 3/8X21,3/8M/MNPT	\$18.23
H38X24P	HOSE,HYD,3/8X24(2'),1/2M/MNPT,2500P	\$25.96
H38X28P	HOSE HYD 3/8X28,3/8M/MNPT	\$19.45
H38X36	HOSE 3/8 X 36 8MP 6MP	\$31.60
H38X40	HOSE 3/8 X 40 8MP 6MP	\$34.03
H38X50P	HOSE,HYD,3/8X50,3/8MNPTX3/8MNPT,IW	\$29.17
H38X540P	HOSE,HYD,3/8X540(45'),1/2M/MNPT,250	\$154.85
H38X60P	HOSE,HYD,3/8X60,3/8MNPTX3/8MNPT,1W	\$32.82
H38X636P	HOSE,HYD,3/8X636(53'),1/2M/MNPT,250	\$179.63
H38X702P	HOSE,HYD,3/8X702(58.5'),1/2M/MNPT25	\$190.72
H38X78	HOSE,HYD,3/8 X 78 6MJ 6MJ 1W	\$57.13
H38X780P	HOSE,HYD,3/8X780(65'),1/2M/MNPT,250	\$219.28
H38X80	HOSE,HYD,3/8 X 80 6MJ 6MJ 1W	\$57.13
H38X804P	HOSE,HYD,3/8X804(67'),1/2M/MNPT,250	\$213.03
H38X96P	HOSE,HYD,3/8 X 96 6MP-8MP 1W	\$46.19