

2024
PRODUCT CATALOG



TERREMAX[®]

LIQUID HANDLING PRODUCTS



Family Owned & Operated Since 1979

NEW PRODUCTS



from TerreMax

IBC Spin Weld Ball Valves (Pg 6)

IBC Spin Weld Ball Valves

PART #	DESCRIPTION
BCF60	2" Cam IBC valve; Viton® seal; Yellow cap; 60mm collar thread
BCMT60	2" NPT IBC valve; Viton® seal; Yellow cap; 60mm collar thread
BCF60C	2" Cam IBC valve; Viton® seal; Yellow cap w/ check valve; 60mm collar thread
BCF75	2" Cam IBC valve; Viton® seal; Yellow cap; 75mm collar thread
BCMT75	2" Cam IBC valve; Viton® seal; Yellow cap; 75mm collar thread
BCF75C	2" Cam IBC valve; Viton® seal; Yellow cap w/ check valve; 75mm collar thread



Valve Mounting Plates (Pg 12)

Valve Mounting Plates

PART #	DESCRIPTION	FITS VALVES
V10270	Straight Mounting Bracket	V100FPY, V125Y
V10271	90° Mounting Bracket	V100FPY, V125Y



Manifold - 3Way Ball Valves (Pg 17)

3 WAY BOTTOM LOAD BALL VALVES

PART #	DESCRIPTION
MV100BL	1" ; 3 Way Bottom Load Manifold
MV220BL	2" FP ; 3 Way Bottom Load Manifold
MV300BL	2" FP ; 3 Way Bottom Load Manifold

3 WAY SIDE LOAD BALL VALVES

PART #	DESCRIPTION
MV100SL	1" ; 3 Way Side Load Manifold
MV220SL	2" FP ; 3 Way Side Load Manifold



NEW PRODUCTS



from TerreMax

Manifold Flange Clamps (Pg 23)

T Bolt Flange Clamps

PART #	DESCRIPTION
FC220TB	2" FP T-Bolt Flange Clamp; Stainless Steel
FC300TB	3" T-Bolt Flange Clamp; Stainless Steel

Hinge Casted Clamps

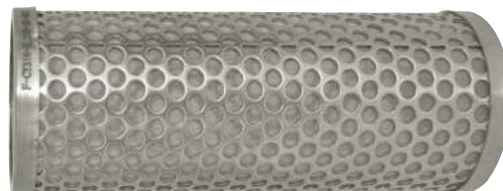
PART #	DESCRIPTION
FC220HC	2" FP Hinge Flange Clamp; Stainless Steel
FC300HC	3" FP Hinge Flange Clamp; Stainless Steel



Perforated Line Strainer Screen (Pg 37)

Perforated Line Strainer Screens

PART #	DESCRIPTION
PLS250SS	50 Mesh for 1-1/2" & 2" Y-Strainers ; 316SS
PLS280SS	80 Mesh for 1-1/2" & 2" Y-Strainers ; 316SS



Additional Sizes & Updated Design (pg 44 & 45)

Short Nipple



PART #	DESCRIPTION
NIP038-SH	3/8" Male NPT Short Poly Nipple
NIP050-SH	1/2" Male NPT Short Poly Nipple
NIP075-SH	3/4" Male NPT Short Poly Nipple
NIP100-SH	1" Male NPT Short Poly Nipple
NIP125-SH	1-1/4" Male NPT Short Poly Nipple
NIP150-SH	1-1/2" Male NPT Short Poly Nipple
NIP200-SH	2" Male NPT Short Poly Nipple
NIP300-SH	3" Male NPT Short Poly Nipple

90° Hose Barb



PART #	DESCRIPTION
HB02503890	1/4" Male NPT x 3/8" Hose Barb 90° Elbow
HB02505090	1/4" Male NPT x 1/2" Hose Barb 90° Elbow
HB05003890	1/2" Male NPT x 3/8" Hose Barb 90° Elbow
HB10007590	1" Male NPT x 3/4" Hose Barb 90° Elbow
HB10012590	1" Male NPT x 1-1/4" Hose Barb 90° Elbow
HB12515090	1-1/4" Male NPT x 1-1/2" Hose Barb 90° Elbow
HB15012590	1-1/2" Male NPT x 1-1/4" Hose Barb 90° Elbow
HB20015090	2" Male NPT x 1-1/2" Hose Barb 90° Elbow

T & Y Line Strainers (pg 21-22; 34-36)

- Heavy Duty Glass Reinforced Polypropylene
- Clean Out Plug
- EPDM Gaskets; Viton® available
- Replacement parts available



FEMALE THREADED T STRAINER

LST10050



MANIFOLD FLANGE Y STRAINER

MLS22020

T
A
B
L
E
O
F
C
O
N
T
E
N
T
S



Ball Valve Series	Single Union	5
	3 Way	5
	HM Quick Shut Off	5
	IBC Spin Weld Ball Valves	6
	Bolted Polypropylene Ball Valves: 4 Bolt - 6 Bolt - 8 Bolt - Compact	7-11
	Angle Valve	11
	Valve Accessories & Sealant	11-12
Manifold Flange Series	Manifold Valves	14-17
	Sweep - Male NPT	18
	Sweep - Hose Barb	18
	Sweep	18
	Hose Barb	18
	Coupling	18
	Coupling Reducer	19
	Male NPT	19
	Male Adapter	19
	45° Coupling	19
	Plug	19
	Female Coupler	19
	Hose Barb Tee	20
	Female NPT	20
	Cross	20
	Tee	20
	Manifold Bulkhead	20
	Manifold Flange Strainers	21-22
	Manifold Flange Clamps & Gaskets	23-24
Couplers	Safety Camlock	26
	Camlock	27-28
	2" x 3" Camlocks	29
	Plug w Handle	28; 29
	Garden Hose Camlocks	29
	Replacement Gaskets	29
	Shims	29
	Angle Camlocks	30
Clamps		31-32
Strainers	Female Threaded "T"	34
	Female Threaded "Y"	35-36
	Replacement Line Strainer Screens	37
	Bowl & Basket Strainers	38
Bulkhead Fittings & Bulkhead Gaskets		40-41
Siphon Tube		41
Bolted Tank Fittings		41
Dry Poppet		42
Schedule 80 -Heavy Duty	Straight Adapter	44
	Female Thread Hose Barb	44
	90° Sweep Hose Barb	44
	90° Hose Barb	44
	Straight Hose Mender	44
	Elbow	45
	Reducing Coupling	45
	Street Elbow	45
	Reducing Nipple	45
	Nipple	45
	Reducer Bushing	45
	Coupling	45
	Tee	46
	Tee w Gauge Port	46
	45° Street Elbow	46
	Pipe Caps	46
	Plug	46
	Steel Plated Straight Adapter	46
	Pin Lug Coupler	46
Fittings- Nylon & Polypropylene	Hose Fittings	48-51
	Pipe Fittings	52-54
	Garden Hose Fittings	55-57
	Nozzle Fittings	58-59
Spray Components	Gauges	60
	Boom Clamps	60
	Nozzle Bodies	61
	Winged Bayonet Caps	62
	Spray Tips Filters	62
	Spray Wands	62
	Solenoid Valves	63
	Wiring Harnesses	63
Rope Wick	String Wing & Mounts	64
	Rope Wick Fittings & Kits	65
	Weed Thief	65

Ball Valves

Selection

TerreMax valves are available in sizes ranging from 1/2" to 4".

Quality

Our primary resin is a high strength custom blended glass filled polypropylene.

Location

TerreMax takes pride in the fact that most of our valves are made on site at our Indiana manufacturing location.

Experience

We have been producing high quality ball valves for over 2 decades.

Variety

We have a variety of styles and configurations. Choose from pipe threaded valves, manifold, garden hose valves, full port, standard port, and many more.

Custom

Can't find what you're looking for in our standard valve line? No worries, we make custom valves as well!

Knowledge

Let us use our expertise to help you make the right choice.

FEATURED ITEMS —

Valves (pgs 5-11)

2" Standard Port
Valve Combinations



2" Full Port
Valve Combinations



3" Full Port
Valve Combinations



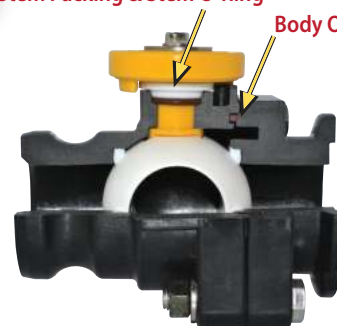
Manifold
Valve Combinations



Stainless Steel
Ball, Stem and Handle
Valve Combinations



Stem Packing & Stem O-Ring
Body O-Ring



The TerreMax Advantage

BALL VALVES



SU050E & SU075E

SU100E & SU125E



SU150E & SU200E

Single Union Valves

- Sturdy Construction, fiberglass reinforced polypropylene body
- PTFE seats for smooth operation
- E.P.D.M. seals standard
- 125 P.S.I. @ 140° F

PART #	PRICE ea.	DESCRIPTION
SU050E	\$27.34	1/2" Female NPT
SU075E	\$27.34	3/4" Female NPT
SU100E	\$33.09	1" Female NPT
SU125E	\$56.82	1 1/4" Female NPT
SU150E	\$58.31	1 1/2" Female NPT
SU200E	\$74.03	2" Female NPT

****DO NOT UNASSEMBLE WHILE UNDER PRESSURE**



3 Way Valve

- Sturdy Construction, fiberglass reinforced polypropylene body
- PTFE seats for smooth operation
- E.P.D.M. seals standard
- 125 P.S.I. @ 140° F

PART #	PRICE ea.	DESCRIPTION
SU050BL	\$43.57	1/2" Female NPT
SU075BL	\$49.33	3/4" Female NPT
SU100BL	\$49.67	1" Female NPT
SU125BL	\$70.42	1 1/4" Female NPT
SU150BL	\$82.61	1 1/2" Female NPT
SU200BL	\$102.97	2" Female NPT

****DO NOT UNASSEMBLE WHILE UNDER PRESSURE**



HM Quick Shut Off Valve

- One quarter turn polypropylene ball valve
- Used in liquid plumbing application as a quick shut off valve
- 75 P.S.I.

PART #	PRICE ea.	DESCRIPTION
HM50B	\$18.91	1/2" Female NPT With Buna "O" Ring
HM75B	\$18.91	3/4" Female NPT With Buna "O" Ring
HM50V	\$19.77	1/2" Female NPT With Viton® "O" Ring
HM75V	\$19.77	3/4" Female NPT With Viton® "O" Ring

IBC SPIN WELD BALL VALVES



PART #	PRICE ea.	STYLE	GASKET	DESCRIPTION
BCF60	\$59.38	Mauser®	Viton®	2" Cam IBC valve; Viton® seal; Yellow cap; 60mm collar thread
BCMT60	\$59.72	Mauser®	Viton®	2" NPT IBC valve; Viton® seal; Yellow cap; 60mm collar thread
BCF60C	\$64.16	Mauser®	Viton®	2" Cam IBC valve; Viton® seal; Yellow cap w/ check valve; 60mm collar thread
BCF75	\$59.51	Schutz®	Viton®	2" Cam IBC valve; Viton® seal; Yellow cap; 75mm collar thread
BCMT75	\$59.86	Schutz®	Viton®	2" Cam IBC valve; Viton® seal; Yellow cap; 75mm collar thread
BCF75C	\$64.29	Schutz®	Viton®	2" Cam IBC valve; Viton® seal; Yellow cap w/ check valve; 75mm collar thread

Valves feature:

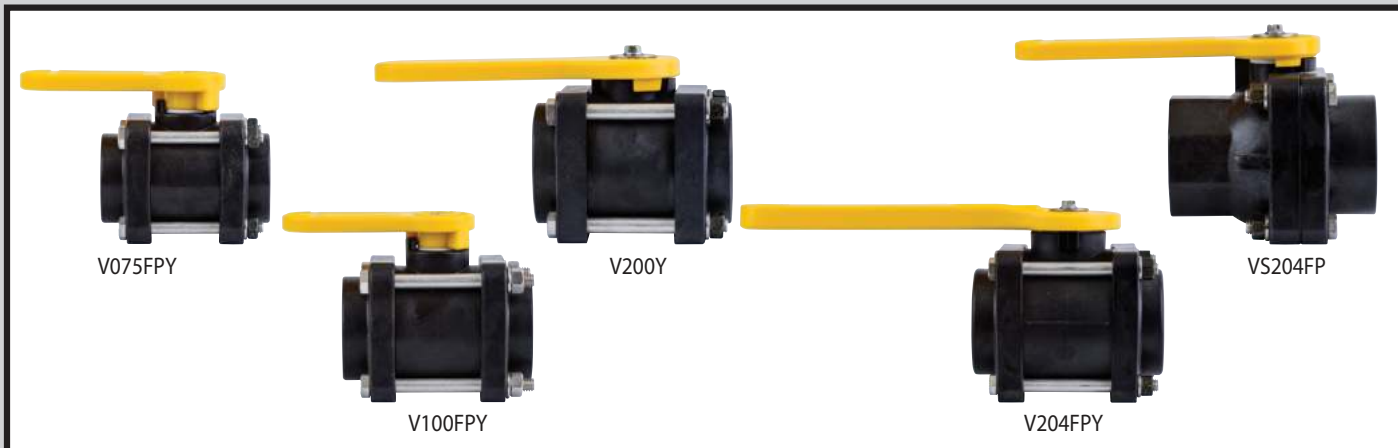
- PTFE Seats
- Viton® Stem O-Ring
- Viton® Collar Gaskets
- Precision molded polypropylene is reinforced with fiberglass for additional strength.
- Foil Seal
- Tamper Evidence Pin

SPIN WELD BALL VALVE ACCESSORIES



PART #	PRICE ea.	DESCRIPTION
211FPT	\$8.75	2" Female NPT Cap - Yellow
V20207	\$3.50	12" Self-Anchoring Polyurethane Tether
200CAP	\$25.57	2" CAP for Male Adapter

FEMALE NPT x FEMALE NPT



PART #	PRICE ea.	QTY	PSI	PORT	DESCRIPTION	HANDLE
V050FPY	\$53.52	35 / Box	150	3/4"	1/2" Female NPT x 1/2" Female NPT	V10153AY
V075FPY	\$53.52	35 / Box	150	3/4"	3/4" Female NPT x 3/4" Female NPT	V10153AY
V100Y	\$53.52	35 / Box	150	3/4"	1" Female NPT x 1" Female NPT	V10153AY
V100FPY	\$59.01	24 / Box	150	1"	1" Female NPT x 1" Female NPT	V10153AY
V125Y	\$59.00	24 / Box	150	1"	1-1/4" Female NPT x 1-1/4" Female NPT	V10153AY
V125FPY	\$73.43	15 / Box	150	1-1/2"	1-1/4" Female NPT x 1-1/4" Female NPT	V20153Y
V150FPY	\$73.43	15 / Box	150	1-1/2"	1-1/2" Female NPT x 1-1/2" Female NPT	V20153Y
V200Y	\$73.43	15 / Box	150	1-1/2"	2" Female NPT x 2" Female NPT	V20153Y
V204FPY	\$98.02	8 / Box	100	2"	2" Female NPT x 2" Female NPT	V25153Y
VS204FP	\$100.40	16 / Box	100	2"	2" Female NPT x 2" Female NPT	VS25153

FEMALE NPT x FEMALE NPT



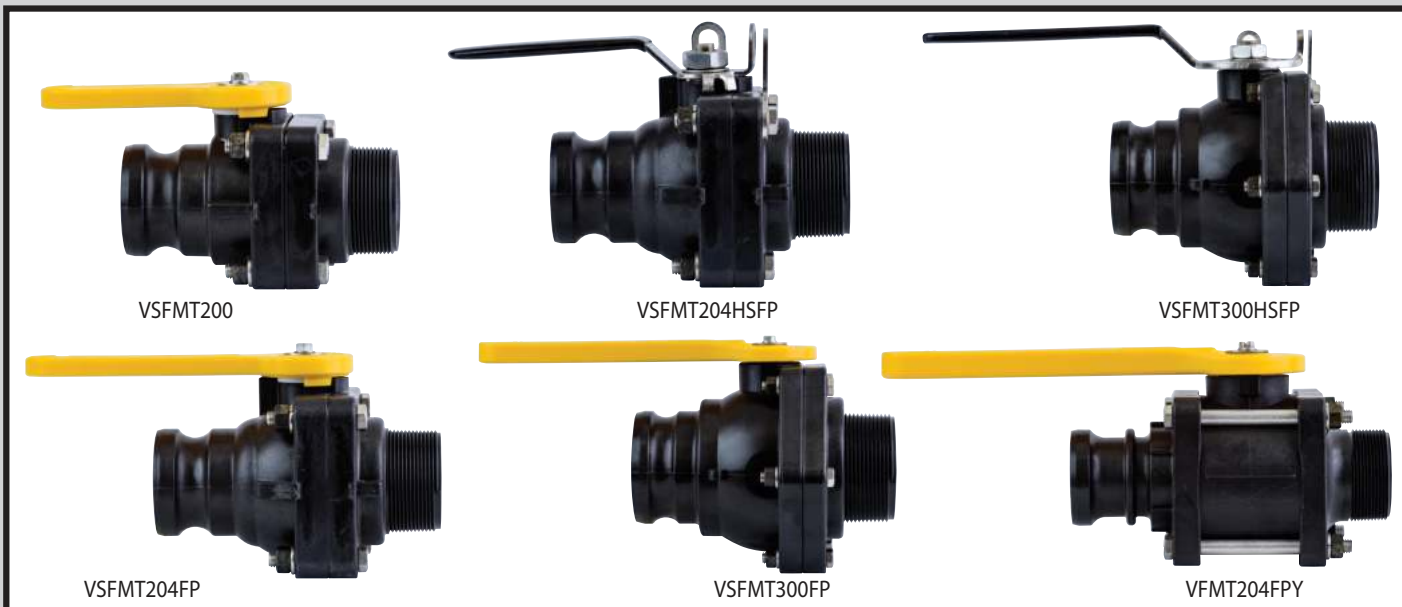
PART #	PRICE ea.	QTY	PSI	PORT	DESCRIPTION	HANDLE
V200FPY	\$103.41	8 / Box	100	2"	2" Female NPT x 2" Female NPT	V25153Y
V300Y	\$166.28	8 / Box	100	2-1/2"	3" Female NPT x 3" Female NPT	V25153Y
V300FPY	\$230.92	6 / Box	100	3"	3" Female NPT x 3" Female NPT	V25153Y
V400FPY	\$435.75	2 / Box	100	4"	4" Female NPT x 4" Female NPT	V20154Y

Valves feature:

- Stainless Steel Bolts
- Precision molded in polypropylene.
- Viton® "O" rings.
- Polypropylene is reinforced with fiberglass for additional strength.
- Self-Aligning ball moves freely against the Teflon® seats for smooth operation. The valve opens and closes with little pressure on the handle.
- Teflon® self-lubricating stem bushings and seats cannot stick or bind.
- Ball is diamond turned after molded to make it spherically perfect, which provides precise contact between ball & seat



MALE NPT x MALE CAM ADAPTER



PART #	PRICE ea.	QTY	PSi	PORT	DESCRIPTION	HANDLE
VSFMT200	\$88.51	20 / Box	100	1-1/2"	2" Male NPT x 2" Male Adapter	VS20152SH
VSFMT204FP	\$100.40	14 / Box	100	2"	2" Male NPT x 2" Male Adapter	VS25153
VSFMT204HSFP	\$263.59	14 / Box	100	2"	2" Male NPT x 2" Male Adapter w SS Ball, Stem & Handle	VS20101SS
VFMT204FPY	\$109.59	6 / Box	100	2"	2" Male NPT x 2" Male Adapter	V25153Y
VSFMT300FP	\$259.87	5 / Box	100	3"	3" Male NPT x 3" Male Adapter	V25153Y
VSFMT300HSFP	\$494.00	5 / Box	100	3"	3" Male NPT x 3" Male Adapter w SS Ball, Stem & Handle	VS30101SS

FEMALE NPT x MALE CAM ADAPTER



PART #	PRICE ea.	QTY	PSi	PORT	DESCRIPTION	HANDLE
VSF200	\$83.19	14 / Box	100	1-1/2"	2" Female NPT x 2" Male Adapter	VS20152SH
VSF204FP	\$100.40	12 / Box	100	2"	2" Female NPT x 2" Male Adapter	VS25153
VSF204HSFP	\$263.59	12 / Box	100	2"	2" Female NPT x 2" Male Adapter w SS Ball, Stem & Handle	VS20101SS
VF204FPY	\$109.59	6 / Box	100	2"	2" Female NPT x 2" Male Adapter	V25153Y

Valves feature:

- Compact Design
- Stainless Steel Bolts
- Viton® "O" rings.
- Precision molded in polypropylene.
- Polypropylene is reinforced with fiberglass for additional strength.
- Teflon® self-lubricating stem bushings and seats cannot stick or bind.

Add'l features of VS Valve w SS Ball:

- Stainless Steel Ball, Handle, Stem and Bolts
- Locking Handle

HOSE BARB x MALE NPT

VSHBMT204FP	VSHBMT204HSFP	VSHBMT300FP	VSHBMT300HSFP			
PART #	PRICE ea.	QTY	PSi	PORT	DESCRIPTION	HANDLE
VSHBMT204FP	\$100.40	12 / Box	100	2"	2" Hose Barb x 2" Male NPT	VS25153
VSHBMT204HSFP	\$263.59	12 / Box	100	2"	2" Hose Barb x 2" Male NPT w SS Ball, Stem & Handle	V20101SS
VSHBMT300FP	\$259.87	5 / Box	100	3"	3" Hose Barb x 3" Male NPT	V25153Y
VSHBMT300HSFP	\$494.00	5 / Box	100	3"	3" Hose Barb x 3" Male NPT w SS Ball, Stem & Handle	VS30101SS

MALE NPT x FEMALE NPT

VSMT200	VSMT204FP	VSMT204HSFP	VMT204FPY			
PART #	PRICE ea.	QTY	PSi	PORT	DESCRIPTION	HANDLE
VSMT200	\$83.19	14 / Box	100	1-1/2"	2" Male NPT x 2" Female NPT	VS20152SH
VSMT204FP	\$100.40	16 / Box	100	2"	2" Male NPT x 2" Female NPT	VS25153
VSMT204HSFP	\$263.59	16 / Box	100	2"	2" Male NPT x 2" Female NPT w SS Ball, Stem & Handle	VS20101SS
VMT204FPY	\$109.59	6 / Box	100	2"	2" Male NPT x 2" Female NPT	V25153Y

MALE NPT x MALE NPT

VSMTMT200	VMM204FPY					
PART #	PRICE ea.	QTY	PSi	PORT	DESCRIPTION	HANDLE
VSMTMT200	\$88.51	14 / Box	100	1-1/2"	2" Male NPT x 2" Male NPT	VS20152SH
VMM204FPY	\$109.59	9 / Box	100	2"	2" Male NPT x 2" Male NPT; Full Port	V25153Y

Valves feature:

- Compact Design
- Stainless Steel Bolts
- Viton® "O" rings.
- Precision molded in polypropylene.
- Polypropylene is reinforced with fiberglass for additional strength.
- Teflon® self-lubricating stem bushings and seats cannot stick or bind.

Add'l features of VS Valve w SS Ball:

- Stainless Steel Ball, Handle, Stem and Bolts
- Locking Handle



SMART-Connect™ HOSE BARB x FEMALE CAM COUPLER



PART #	PRICE ea.	QTY	PSI	PORT	DESCRIPTION	HANDLE
VSHBD204FP	\$126.01	10 / Box	100	2"	2" Hose Barb x 2" Female Coupler	VS25153
VSHBD204HSFP	\$289.21	10 / Box	100	2"	2" Hose Barb x 2" Female Coupler w SS Ball, Stem & Handle	VS20101SS
VSHBD300FP	\$299.90	3 / Box	100	3"	3" Hose Barb x 3" Female Coupler	V25153Y
VSHBD300HSFP	\$534.04	3 / Box	100	3"	3" Hose Barb x 3" Female Coupler w SS Ball, Stem & Handle	VS30101SS

SMART-Connect™ MALE CAM ADAPTER x FEMALE CAM ADAPTER



PART #	PRICE ea.	QTY	PSI	PORT	DESCRIPTION	HANDLE
VSFD204FP	\$126.01	7 / Box	100	2"	2" Male Adapter x 2" Female Coupler	VS25153
VSFD204HSFP	\$289.21	7 / Box	100	2"	2" Male Adapter x 2" Female Coupler w SS Ball, Stem & Handle	VS20101SS
VSFD300FP	\$299.90	4 / Box	100	3"	3" Male Adapter x 3" Female Coupler	V25153Y
VSFD300HSFP	\$534.04	4 / Box	100	3"	3" Male Adapter x 3" Female Coupler w SS Ball, Stem & Handle	VS30101SS

Valves feature:

- Compact Design
- Precision molded in polypropylene.
- Stainless Steel Bolts
- Polypropylene is reinforced with fiberglass for additional strength.
- Viton® "O" rings.
- Teflon® self-lubricating stem bushings and seats cannot stick or bind.

Add'l features of VS Valve w SS Ball:

- Stainless Steel Ball, Handle, Stem and Bolts
- Locking Handle

MALE CAM ADAPTER x HOSE BARB



VSFHB204FP

VSFHB300FP

PART #	PRICE ea.	QTY	PSi	PORT	DESCRIPTION	HANDLE
VSFHB204FP	\$100.40	10	100	2"	2" Male Cam Adapter x 2" Hose Barb	VS25153
VSFHB300FP	\$259.87	4	100	3"	3" Male Cam Adapter x 3" Hose Barb	V25134

NOZZLE VALVE w 90° SWEEP



VA200FP

PART #	PRICE ea.	PSi	PORT	DESCRIPTION	HANDLE
VA200FP	\$144.29	100	2"	2" Female NPT Nozzle Valve w 90° Sweep	V25152

Valves feature:

- Compact Design
- Stainless Steel Bolts
- Viton® "O" rings.
- Precision molded in polypropylene.
- Polypropylene is reinforced with fiberglass for additional strength.
- Teflon® self-lubricating stem bushings and seats cannot stick or bind.

Thread Sealant

PART #	PRICE ea.	QTY.	DESCRIPTION
RS21	\$49.38	24 / Box	RectorSeal® No. 21™ (8oz.-24/case)
RSTB	\$45.16	24 / Box	RectorSeal® Tru-Blu™ (8oz.-24/case)





Nozzle

• Polypropylene construction

PART #	PRICE ea.	DESCRIPTION
V10161	\$16.87	1" Male NPT; 45° Nozzle



Valve - Mounting Plates

• 316 Stainless Steel construction

	PART #	PRICE ea.	DESCRIPTION	FITS VALVES
NEW	V10270	\$13.50	Straight Mounting Bracket	V100FPY, V125Y
	V25270	\$24.85	Straight Mounting Bracket	V125FPY, V150FPY, V200Y
NEW	V10271	\$14.60	90° Mounting Bracket	V100FPY, V125Y
	V25271	\$28.42	90° Mounting Bracket	V125FPY, V150FPY, V200Y



Valve Carry Handle

- 316 Stainless Steel construction
- Fits most bolted valves 1-1/4" full port & above

PART #	PRICE ea.	DESCRIPTION
V25272	\$39.64	Valve Handle

Manifold Flange Series

FEATURED ITEMS —

Hose Barb Tee



Female Coupler

Manifold Bulkhead



Selection

The Manifold Series by TerreMax® includes valves, fittings, line strainers, clamps and gaskets.

Durability

TerreMax's fittings are utilized for a variety of agricultural, plumbing and industrial liquid-handling solutions.

Polypropylene

Our resin is a high-strength, custom blended, glass-filled polypropylene.

Knowledge

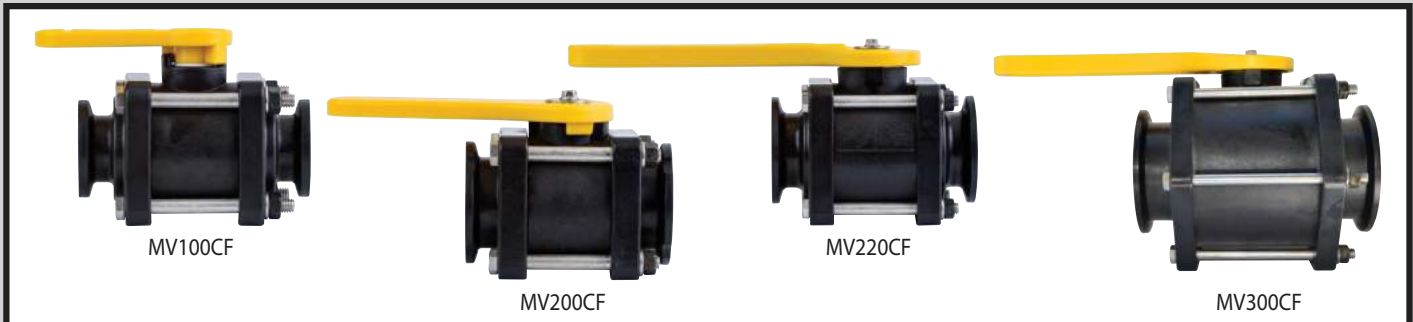
Let us use our expertise to help you make the right choice.

Experience

We have been producing high quality fittings for over 4 decades.



FLANGE x FLANGE



PART #	PRICE ea.	QTY	PSI	PORT	DESCRIPTION	HANDLE
MV100CF	\$61.43	24 / Box	150	1"	1" Flange x 1" Flange	V10153AY
MV200CF	\$83.19	15 / Box	150	1-1/2"	2" Flange x 2" Flange	V20153Y
MV220CF	\$110.01	14 / Box	100	2"	2" FP Flange x 2" FP Flange	V25153Y
MV300	\$184.59	8 / Box	100	2-1/2"	3" Flange x 3" Flange	V25153Y
MV300CF	\$281.50	6 / Box	100	3"	3" Flange x 3" Flange	V25153Y

FLANGE x HOSE BARB



PART #	PRICE ea.	QTY	PSI	PORT	DESCRIPTION	HANDLE
MVSHB220FP	\$100.42	10 / Box	100	2"	2" FP Flange x 2" Hose Barb	VS25153
MVSHB220HSFP	\$263.59	10 / Box	100	2"	2" FP Flange x 2" Hose Barb w SS Ball, Stem & Handle	VS20101SS
MVSHB300FP	\$256.93	5 / Box	100	3"	3" Flange x 3" Hose Barb	V25153Y
MVSHB300HSFP	\$493.50	5 / Box	100	3"	3" Flange x 3" Hose Barb w SS Ball, Stem & Handle	VS30101SS

FLANGE x FEMALE NPT



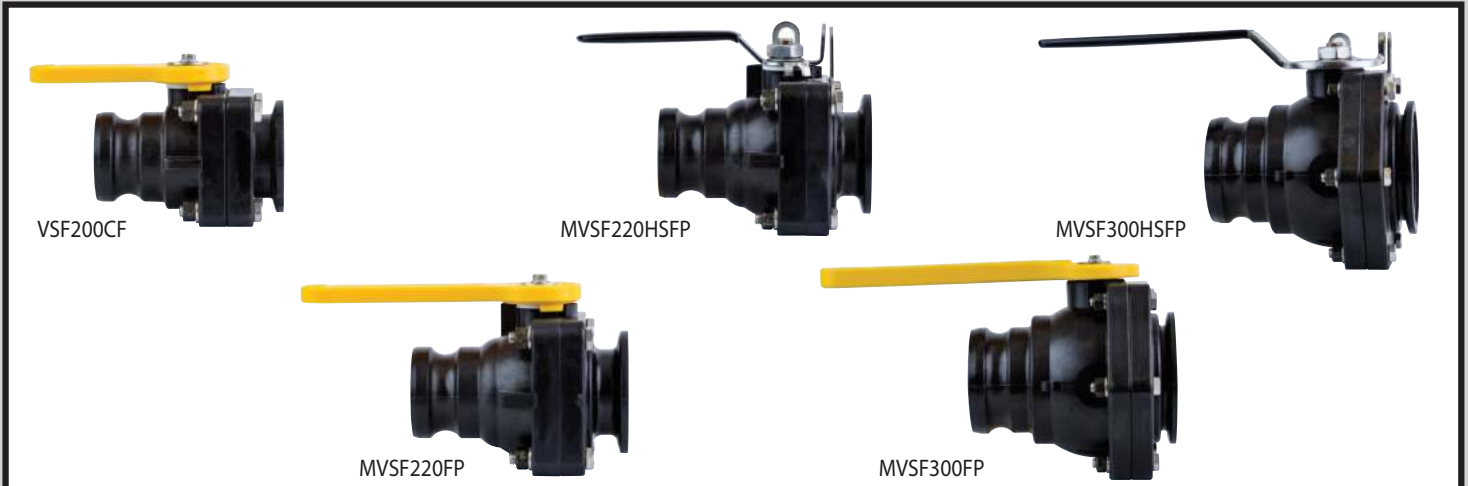
PART #	PRICE ea.	QTY	PSI	PORT	DESCRIPTION	HANDLE
MVS220FP	\$120.46	14 / Box	100	2"	2" FP Flange x 2" Female NPT	VS25153
MVS204HSFP	\$263.59	14 / Box	100	2"	2" FP Flange x 2" Female NPT w SS Ball, Stem & Handle	VS20101SS

FLANGE x FLANGE



PART #	PRICE ea.	QTY	PSi	PORT	DESCRIPTION	HANDLE
MVS220CF	\$100.40	14 / Box	100	2"	2" FP Flange x 2" FP Flange	VS25153
MVS220HSFP	\$263.59	14 / Box	100	2"	2" FP Flange x 2" FP Flange w SS Ball, Stem & Handle	VS20101SS
MVS300CFFP	\$251.06	8 / Box	100	3"	3" Flange x 3" Flange	V25153Y
MVS300HSFP	\$494.00	8 / Box	100	3"	3" Flange x 3" Flange w SS Ball, Stem & Handle	VS30101SS

FLANGE x MALE CAM ADAPTER



PART #	PRICE ea.	QTY	PSi	PORT	DESCRIPTION	HANDLE
VSF200CF	\$83.19	14 / Box	100	1-1/2"	2" Flange x 2" Male Adapter	VS20152SH
MVSF220FP	\$100.40	12 / Box	100	2"	2" FP Flange x 2" Male Adapter	VS25153
MVSF220HSFP	\$263.59	12 / Box	100	2"	2" FP Flange x 2" Male Adapter w SS Ball, Stem & Handle	VS20101SS
MVSF300FP	\$256.94	5 / Box	100	3"	3" Flange x 3" Male Adapter	V25153Y
MVSF300HSFP	\$494.00	5 / Box	100	3"	3" Flange x 3" Male Adapter w SS Ball, Stem & Handle	VS30101SS

Valves feature:

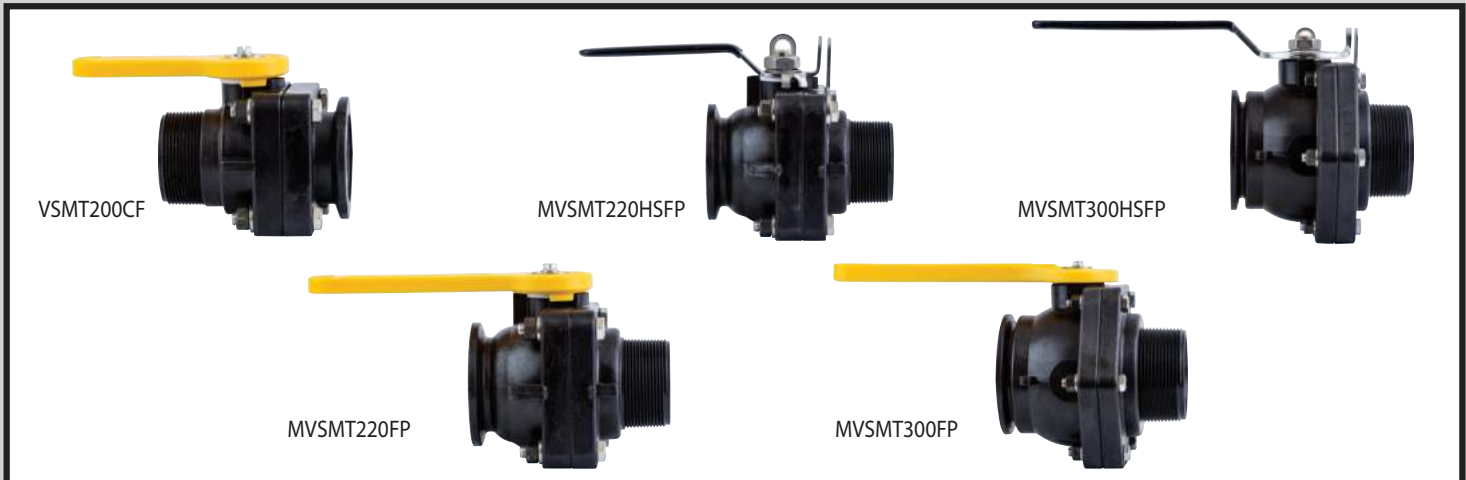
- Compact Design
- Stainless Steel Bolts
- Viton® "O" rings.
- Precision molded in polypropylene.
- Polypropylene is reinforced with fiberglass for additional strength.
- Teflon® self-lubricating stem bushings and seats cannot stick or bind.

Add'l features of VS Valve w SS Ball:

- Stainless Steel Ball, Handle, Stem and Bolts
- Locking Handle



FLANGE x MALE NPT



PART #	PRICE ea.	QTY	PSi	PORT	DESCRIPTION	HANDLE
VSMT200CF	\$96.89	18 / Box	100	1-1/2"	2" Flange x 2" Male NPT	VS20152SH
MVSMT220FP	\$100.40	10 / Box	100	2"	2" FP Flange x 2" Male NPT	VS25153
MVSMT220HSFP	\$263.59	10 / Box	100	2"	2" FP Flange x 2" Male NPT w SS Ball, Stem & Handle	VS20101SS
MVSMT300FP	\$256.94	10 / Box	100	3"	3" Flange x 3" Male NPT	V25153Y
MVSMT300HSFP	\$494.00	10 / Box	100	3"	3" Flange x 3" Male NPT w SS Ball, Stem & Handle	VS30101SS



SMART-Connect™ FLANGE x FEMALE COUPLER



PART #	PRICE ea.	QTY	PSi	PORT	DESCRIPTION	HANDLE
MVSD220FP	\$126.01	10 / Box	100	2"	2" FP Flange x 2" Female Coupler	VS25153
MVSD220HSFP	\$289.21	10 / Box	100	2"	2" FP Flange x 2" Female Coupler w SS Ball, Stem & Handle	VS20101SS
MVSD300FP	\$299.90	4 / Box	100	3"	3" Flange x 3" Female Coupler	V25153Y
MVSD300HSFP	\$534.04	4 / Box	100	3"	3" Flange x 3" Female Coupler w SS Ball, Stem & Handle	VS30101SS

Valves feature:

- Compact Design
- Precision molded in polypropylene.
- Stainless Steel Bolts
- Polypropylene is reinforced with fiberglass for additional strength.
- Viton® "O" rings.
- Teflon® self-lubricating stem bushings and seats cannot stick or bind.

Add'l features of VS Valve w SS Ball:

- Stainless Steel Ball, Handle, Stem and Bolts
- Locking Handle

3 WAY BOTTOM LOAD BALL VALVES



MV100BL



MV220BL



MV300BL

PART #	PRICE ea.	QTY	PSi	PIPE SIZE	OPENING THRU BALL	DESCRIPTION
MV100BL	\$98.20	1	150	1"	1"	1" Flange ; 3 Way Bottom Load Manifold
MV220BL	\$162.75	1	150	2"	2"	2" Flange ; 3 Way Bottom Load Manifold
MV300BL	\$436.50	1	150	3"	3"	2" FP Flange ; 3 Way Bottom Load Manifold

Valves feature:

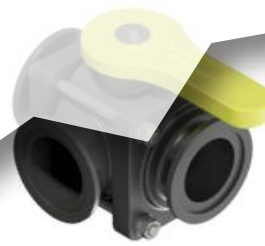
- Stainless Steel Bolts
- Viton® "O" rings.
- Precision molded polypropylene.
- Polypropylene is reinforced with fiberglass for additional strength.
- Teflon® self-lubricating stem bushings and seats cannot stick or bind.
- Directional flow, right or left.
- Valve can be turned off to stop flow.

COMING EARLY 2024

3 WAY SIDE LOAD BALL VALVES



MV100SL



MV220SL

PART #	PRICE ea.	QTY	PSi	PIPE SIZE	OPENING THRU BALL	DESCRIPTION
MV100SL	\$98.20	1	150	1"	1"	1" Flange ; 3 Way Side Load Manifold
MV220SL	\$162.75	1	100	2"	2"	2" FP Flange ; 3 Way Side Load Manifold

Valves feature:

- Stainless Steel Bolts
- Viton® "O" rings.
- Precision molded in polypropylene.
- Polypropylene is reinforced with fiberglass for additional strength.
- Teflon® self-lubricating stem bushings and seats cannot stick or bind.
- Directional flow, right or left.
- Valve cannot be turned off to stop flow.



Sweep - Male NPT

PART #	PRICE ea.	QTY	DESCRIPTION
M220MPTSWP90	\$21.48	45 / Box	2" FP Flange x 2" Male NPT; 90°
M300MPTSWP90	\$52.71	20 / Box	3" FP Flange x 3" Male NPT; 90°

*Gauge ports are not drilled or tapped. Located on both sides.



Sweep

PART #	PRICE ea.	QTY	DESCRIPTION
M100SWP90	\$15.65	25 / Bag	1" Flange x 1" Flange
M220SWP90	\$18.93	55 / Box	2" FP Flange x 2" FP Flange
M300SWP90	\$52.71	20 / Box	3" Flange x 3" Flange

*Gauge ports are not drilled or tapped. Located on both sides.



Sweep - Hose Barb

PART #	PRICE ea.	QTY	DESCRIPTION
M100BRBSWP90	\$15.62	25 / Bag	1" Flange x 1" Hose Shank
M100125BRBSWP90	\$15.65	25 / Bag	1" Flange x 1-1/4" Hose Shank
M220BRBSWP90	\$21.48	40 / Box	2" FP Flange x 2" Hose Shank
M300BRBSWP90	\$52.71	12 / Box	3" Flange x 3" Hose Shank

*Gauge ports are not drilled or tapped. Located on both sides.



Hose Barb

PART #	PRICE ea.	QTY	DESCRIPTION
M100050BRB	\$3.07	25 / Bag	1" Flange x 1/2" Hose Barb
M100075BRB	\$3.07	25 / Bag	1" Flange x 3/4" Hose Barb
M100BRB	\$3.07	25 / Bag	1" Flange x 1" Hose Barb
M100125BRB	\$3.07	25 / Bag	1" Flange x 1-1/4" Hose Barb
M200100BRB	\$7.53	25 / Bag	2" Flange x 1" Hose Barb
M200125BRB	\$7.78	25 / Bag	2" Flange x 1-1/4" Hose Barb
M200150BRB	\$6.89	25 / Bag	2" Flange x 1-1/2" Hose Barb
M200BRB	\$7.53	25 / Bag	2" Flange x 2" Hose Barb
M220100BRB	\$8.23	25 / Bag	2" FP Flange x 1" Hose Barb
M220125BRB	\$7.53	25 / Bag	2" FP Flange x 1-1/4" Hose Barb
M220150BRB	\$7.53	25 / Bag	2" FP Flange x 1-1/2" Hose Barb
M220BRB	\$6.84	75 / Box	2" FP Flange x 2" Hose Barb
M300220BRB	\$22.99	50 / Box	3" Flange x 2" Hose Barb
M300BRB	\$20.90	21 / Box	3" Flange x 3" Hose Barb



Coupling

PART #	PRICE ea.	QTY	DESCRIPTION
M100CPG	\$7.53	25 / Bag	1" Flange x 1" Flange
M220CPG	\$20.21	56 / Box	2" FP Flange x 2" FP Flange 2-31/32" Long
M300CPG	\$23.84	30 / Box	3" Flange x 3" Flange 4" Long

*Gauge port is not drilled or tapped.



Coupling Reducer

PART #	PRICE ea.	QTY	DESCRIPTION
M200100CPG	\$20.48	25 / Bag	2" Flange x 1" Reducer Flange
M220100CPG	\$22.49	25 / Bag	2" FP Flange x 1" Reducer Flange
M220200CPG	\$22.49	25 / Bag	2" FP Flange x 2" Reducer Flange
M300200CPG	\$52.47	54 / Box	3" Flange x 2" Reducer Flange
M300220CPG	\$47.70	54 / Box	3" Flange x 2" FP Reducer Flange



45° Coupling

PART #	PRICE ea.	QTY	DESCRIPTION
M220CPG45	\$21.51	55 / Box	2" FP Flange x 2" FP Flange
M300CPG45	\$88.03	25 / Box	3" Flange x 3" Flange



Male NPT

PART #	PRICE ea.	QTY	DESCRIPTION
M100075MPT	\$3.51	25 / Bag	1" Flange x 3/4" Male NPT
M100MPT	\$3.51	25 / Bag	1" Flange x 1" Male NPT
M100125MPT	\$3.51	25 / Bag	1" Flange x 1-1/4" Male NPT
M200150MPT	\$6.64	25 / Bag	2" Flange x 1-1/2" Male NPT
M220MPT	\$6.64	85 / Box	2" FP Flange x 2" Male NPT
M300MPT	\$18.47	36 / Box	3" Flange x 3" Male NPT



Plug

PART #	PRICE ea.	QTY	DESCRIPTION
M100PLG	\$3.51	25 / Bag	1" Flanged Plug
M220PLG	\$8.42	250 / Box	2" FP Flanged Plug
M300PLG	\$22.49	150 / Box	3" Flanged Plug



Male Adapter

PART #	PRICE ea.	QTY	DESCRIPTION
M100A	\$9.16	25 / Bag	1" Flange x 1" Male Adapter
M220A	\$13.47	90 / Box	2" FP Flange x 2" Male Adapter
M300A	\$26.07	54 / Box	3" Flange x 3" Male Adapter



Female Coupler

PART #	PRICE ea.	DESCRIPTION
M220D	\$30.34	2" FP Flange x 2" Female Coupler
M300D	\$46.88	3" Flange x 3" Female Coupler



Hose Barb Tee

PART #	PRICE ea.	DESCRIPTION
M220200HBT	\$22.13	2" FP Flange x 2" Hose Barb Tee
M220300HBT	\$47.00	2" FP Flange x 3" Hose Barb Tee
M300300HBT	\$48.54	3" Flange x 3" Hose Barb Tee



Cross

PART #	PRICE ea.	QTY	DESCRIPTION
M100CR	\$28.33	25 / Bag	1" Flanged Cross
M220CR	\$50.81	20 / Box	2" FP Flanged Cross
M300CR	\$102.21	8 / Box	3" Flanged Cross

*Gauge port is not drilled or tapped.



Female NPT

PART #	PRICE ea.	QTY	DESCRIPTION
M100050FPT	\$3.52	25 / Bag	1" Flange x 1/2" Female NPT
M100075FPT	\$3.52	25 / Bag	1" Flange x 3/4" Female NPT
M100FPT	\$6.64	25 / Bag	1" Flange x 1" Female NPT
M220FPT	\$31.05	75 / Box	2" FP Flange x 2" Female NPT
M300FPT	\$50.01	45 / Box	3" Flange x 3" Female NPT



TEE

PART #	PRICE ea.	QTY	DESCRIPTION
M100TEE	\$9.66	25 / Bag	1" Flanged Tee
M220TEE	\$18.45	24 / Box	2" FP Flanged Tee
M300TEE	\$87.11	8 / Box	3" Flanged Tee

*Gauge port is not drilled or tapped.



MTF220



Manifold Bulkhead Fitting

Glass Reinforced Polypropylene
EDPM standard

PART #	QTY	THREAD	WASHER	HOLE SIZE
INTERNAL SEALING				
POLY	PRICE ea.			
MTF220	\$42.95	300 / Box	2" FP Flange x 2" Female NPT	EPDM 3-1/4"
MTF220V	\$96.66	30 / Box	2" FP Flange x 2" Female NPT	VITON 3-1/4"
MTF300	\$71.98	8 / Box	3" Flange x 3" Female NPT	EPDM 4-1/2"
MTF300V	\$133.85	8 / Box	3" Flange x 3" Female NPT	VITON 4-1/2"

NEW

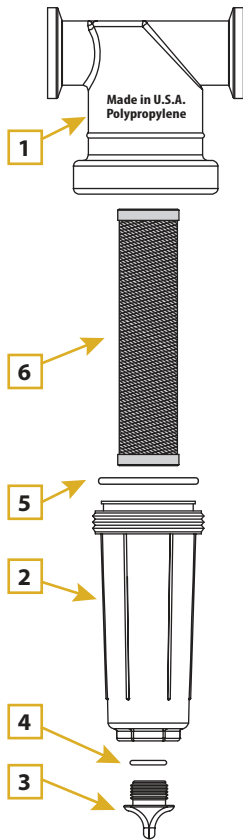


LS15050

MANIFOLD FLANGE T STRAINER

- Heavy Duty Glass Reinforced Polypropylene
- Clean Out Plug
- EPDM Gaskets; Viton® available
- Replacement parts available (see below)

PART #	PRICE ea.	DESCRIPTION
MLST10030	\$66.52	1" Female NPT; Manifold T Strainer; 30 Mesh SS Screen
MLST10050	\$66.52	1" Female NPT; Manifold T Strainer; 50 Mesh SS Screen
MLST10080	\$66.52	1" Female NPT; Manifold T Strainer; 80 Mesh SS Screen
MLST100100	\$66.52	1" Female NPT; Manifold T Strainer; 100 Mesh SS Screen
MLST15030	\$115.19	2" Female NPT; Manifold T Strainer; 30 Mesh SS Screen
MLST15050	\$115.19	2" Female NPT; Manifold T Strainer; 50 Mesh SS Screen
MLST15080	\$115.19	2" Female NPT; Manifold T Strainer; 80 Mesh SS Screen
MLST150100	\$115.19	2" Female NPT; Manifold T Strainer; 100 Mesh SS Screen



Replacement Parts for: 1" & 2" MANIFOLD FLANGE T STRAINER

ITEM	PART #	PRICE ea.	DESCRIPTION
1	MLST100H	\$23.80	1" T Strainer Body
1	MLST150H	\$46.24	1-1/2" T Strainer Body
2	LST100B	\$22.17	1" T Bowl (contains #1, #2, #3, #4)
2	LST150B	\$39.97	1-1/2" T Bowl (contains #1, #2, #3, #4)
3	LSP050	\$4.06	1/2" Clean Out Plug
3	LSP100	\$4.87	1" Clean Out Plug
4	LSP050G	\$1.35	EPDM O-Ring for 1/2" Clean Out Plug
4	LSP050GV	\$2.22	Viton® O-Ring for 1/2" Clean Out Plug
4	LSP100G	\$1.46	EPDM O-Ring for 1" Clean Out Plug
4	LSP100GV	\$2.49	Viton® O-Ring for 1" Clean Out Plug
5	LST100G	\$5.41	1" O-Ring ; EPDM
5	LST100GV	\$10.28	1" O-Ring ; Viton®
5	LST150G	\$5.41	1-1/2" O-Ring ; EPDM
5	LST150GV	\$13.52	1-1/2" O-Ring ; Viton®
6	LST130SS	\$28.65	30 Mesh for 1" T Strainers; 316SS
6	LST1530SS	\$47.81	30 Mesh for 1-1/2" T Strainers; 316SS
6	LST150SS	\$28.65	50 Mesh for 1" T Strainers; 316SS
6	LST1550SS	\$47.81	50 Mesh for 1-1/2" T Strainers; 316SS
6	LST180SS	\$28.65	80 Mesh for 1" T Strainers; 316SS
6	LST1580SS	\$47.81	80 Mesh for 1-1/2" T Strainers; 316SS
6	LST1100SS	\$30.77	100 Mesh for 1" T Strainers; 316SS
6	LST15100SS	\$47.81	100 Mesh for 1-1/2" T Strainers; 316SS
KIT	MLST100HB	\$42.72	1" Manifold T Strainer Kit includes 1-5
KIT	MLST150HB	\$81.93	1-1/2" Manifold T Strainer Kit includes 1-5



NEW



MLS20020

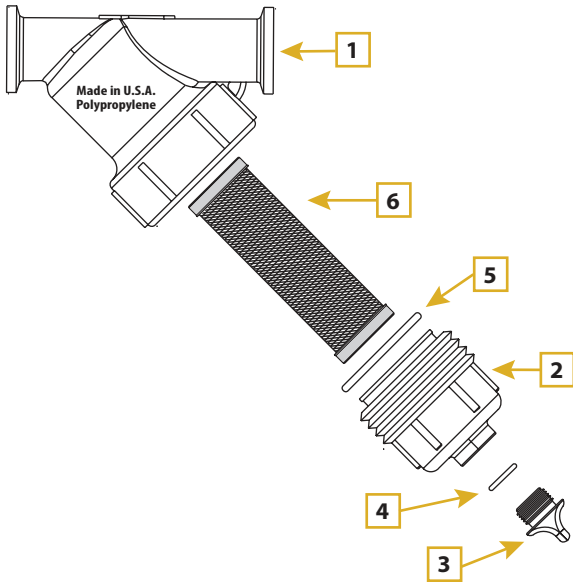


MLS22020

2" MANIFOLD FLANGE Y STRAINER

- Heavy Duty Glass Reinforced Polypropylene
- Clean Out Plug
- EPDM Gaskets; Viton® available
- Replacement parts available (see below)

PART #	PRICE ea.	DESCRIPTION
MLS20012	\$ 142.23	2" Standard Port Manifold Y Strainer; 12 Mesh SS Screen
MLS20020	\$ 142.23	2" Standard Port Manifold Y Strainer; 20 Mesh SS Screen
MLS20030	\$ 142.23	2" Standard Port Manifold Y Strainer; 30 Mesh SS Screen
MLS20050	\$ 142.23	2" Standard Port Manifold Y Strainer; 50 Mesh SS Screen
MLS20080	\$ 142.23	2" Standard Port Manifold Y Strainer; 80 Mesh SS Screen
MLS22012	\$ 156.45	2" Full Port Manifold Y Strainer; 12 Mesh SS Screen
MLS22020	\$ 156.45	2" Full Port Manifold Y Strainer; 20 Mesh SS Screen
MLS22030	\$ 156.45	2" Full Port Manifold Y Strainer; 30 Mesh SS Screen
MLS22050	\$ 156.45	2" Full Port Manifold Y Strainer; 50 Mesh SS Screen
MLS22080	\$ 156.45	2" Full Port Manifold Y Strainer; 80 Mesh SS Screen



Replacement Parts for: 2" MANIFOLD FLANGE Y STRAINER

ITEM	PART #	PRICE ea.	DESCRIPTION
1	MLS200B	\$43.86	2" Y Strainer Body
1	MLS220B	\$51.53	2" FP Y Strainer Body
2	LS150C	\$32.23	2" End Cap (contains #1, #2, #3, #4)
3	LSP100	\$4.87	1" Clean Out Plug
4	LSP100G	\$1.46	EPDM O-Ring for 1-1/2" & 2" Clean Out Plug
4	LSP100GV	\$2.49	VITON® O-Ring for 1-1/2" & 2" Clean Out Plug
5	LS150G	\$5.41	2" O-Ring ; EPDM
5	LS150GV	\$13.52	2" O-Ring ; VITON®
6	LS212SS	\$65.17	12 Mesh for 2" Y Strainers; 316SS
6	LS220SS	\$65.17	20 Mesh for 2" Y Strainers; 316SS
6	LS230SS	\$65.17	30 Mesh for 2" Y Strainers; 316SS
6	LS250SS	\$65.17	50 Mesh for 2" Y Strainers; 316SS
6	LS280SS	\$65.17	80 Mesh for 2" Strainers; 316SS
KIT	MLS200BC	\$76.63	2" Manifold Y Strainer Kit includes 1-5
KIT	MLS220BC	\$84.30	2" FP Manifold Y Strainer Kit includes 1-5

T BOLT FLANGE CLAMPS



PART #	PRICE ea.	QTY	TORQUE	BAND WIDTH	DESCRIPTION
FC220TB	\$41.46	10	120	3/4"	2" FP T-Bolt Flange Clamp; Stainless Steel
FC300TB	\$43.31	10	120	3/4"	3" T-Bolt Flange Clamp; Stainless Steel

HINGE CASTED CLAMPS



PART #	PRICE ea.	QTY	TORQUE	DESCRIPTION
FC220HC	\$67.50	10	150	2" FP Hinge Flange Clamp; Stainless Steel
FC300HC	\$76.50	10	150	3" FP Hinge Flange Clamp; Stainless Steel



MANIFOLD FLANGE GASKETS & CLAMPS



SMART-Seal™ FLANGE GASKETS



PART #	PRICE ea.	QTY	COLOR	MATERIAL	DESCRIPTION
FG100	\$2.25	50 / Bag	Black	EPDM	1" Flange Gasket
FG200	\$2.40	50 / Bag	Black	EPDM	2" Flange Gasket
FG220	\$2.45	50 / Bag	Black	EPDM	2" FP Flange Gasket
FG300	\$3.51	50 / Bag	Black	EPDM	3" Flange Gasket
FG100V	\$4.46	50 / Bag	Green	Viton®	1" Flange Gasket
FG200V	\$9.24	50 / Bag	Green	Viton®	2" Flange Gasket
FG220V	\$9.55	50 / Bag	Green	Viton®	2" FP Flange Gasket
FG300V	\$15.23	50 / Bag	Green	Viton®	3" Flange Gasket

FLANGE CLAMPS



PART #	PRICE ea.	QTY	TORQUE	BAND WIDTH	DESCRIPTION
FC100	\$8.44	50 / Box	100	9/16"	1" Flange Clamp; Stainless Steel
FC200	\$9.85	50 / Box	100	9/16"	2" Flange Clamp; Stainless Steel
FC220	\$10.25	50 / Box	100	9/16"	2" FP Flange Clamp; Stainless Steel
FC300	\$14.14	50 / Box	100	9/16"	3" Flange Clamp; Stainless Steel

Clamps feature:

- 300 Series Stainless Steel
- Band Width 9/16"
- Band Thickness .028
- Shipped at Maximum Diameter

Cam Lever Couplings

FEATURED ITEMS —

Sweep
90°



Plug



3" x 2"
Cam
Couplers



SAFETY **CAMLOCK**

After market research and study by the TerreMax team, an innovative solution was birthed to help enhance the product. The Safety Camlock coupling was designed and patented to provide a market solution.

Safety

The Safety Camlock was designed to provide enhanced safety with the exclusive cam lever locking mechanism. This mechanism helps reduce the possibility of unintentional opening of the cam levers during use, which could result in personal injury and costly spills.

CAMLOCK

Interchangeability

The CamLock series couplers are made to an industry standard and will interchange with all cam lever coupler brands & materials made to the universal specification.

Quality

TerreMax is an ISO 9001 certified company. Safety Camlock & CamLock couplers are manufactured at our Indiana facility to the highest quality standard in the industry.



SAFETY CAMLOCK COUPLINGS



B Series

PART #	PRICE ea.	QTY	DESCRIPTION
SAF050B	\$17.95	25 / Bag	3/4" Female Coupler x 1/2" Male NPT
SAF075B	\$17.95	25 / Bag	3/4" Female Coupler x 3/4" Male NPT
SAF100B	\$20.62	25 / Bag	1" Female Coupler x 1" Male NPT
SAF125B	\$20.62	25 / Bag	1" Female Coupler x 1-1/4" Male NPT
SAF150B	\$24.16	40 / Box	1-1/2" Female Coupler x 1-1/2" Male NPT
SAF200B	\$29.42	28 / Box	2" Female Coupler x 2" Male NPT
SAF300B	\$49.47	15 / box	3" Female Coupler x 3" Male NPT



C Series

PART #	PRICE ea.	QTY	DESCRIPTION
SAF050C	\$17.95	25 / Bag	3/4" Female Coupler x 1/2" Hose Barb
SAF075C	\$17.95	25 / Bag	3/4" Female Coupler x 3/4" Hose Barb
SAF100C	\$20.62	25 / Bag	1" Female Coupler x 1" Hose Barb
SAF125C	\$20.62	25 / Bag	1" Female Coupler x 1-1/4" Hose Barb
SAF150C	\$24.16	35 / Box	1-1/2" Female Coupler x 1-1/2" Hose Barb
SAF200C	\$29.42	28 / Box	2" Female Coupler x 2" Hose Barb
SAF300C	\$49.47	15 / Box	3" Female Coupler x 3" Hose Barb



D Series

PART #	PRICE ea.	QTY	DESCRIPTION
SAF050D	\$17.95	25 / Bag	3/4" Female Coupler x 1/2" Female NPT
SAF075D	\$17.95	25 / Bag	3/4" Female Coupler x 3/4" Female NPT
SAF100D	\$20.62	25 / Bag	1" Female Coupler x 1" Female NPT
SAF125D	\$20.62	25 / Bag	1" Female Coupler x 1-1/4" Female NPT
SAF150D	\$24.16	32 / Box	1-1/2" Female Coupler x 1-1/2" Female NPT
SAF200D	\$29.42	28 / Box	2" Female Coupler x 2" Female NPT
SAF300D	\$49.47	30 / Box	3" Female Coupler x 3" Female NPT



CAP Series

PART #	PRICE ea.	QTY	DESCRIPTION
SAF075CAP	\$17.95	25 / Bag	3/4" CAP for Male Adapter
SAF100125CAP	\$20.62	25 / Bag	1" CAP for Male Adapter
SAF150CAP	\$24.16	64 / Box	1-1/2" CAP for Male Adapter
SAF200CAP	\$29.42	28 / Box	2" CAP for Male Adapter
SAF300CAP	\$49.47	30 / Box	3" CAP for Male Adapter

Safety Camlock Coupling features:

- Patented Locking Arms to reduce possibility of unintentional opening of cam levers during use.
- Glass Filled Polypropylene
- 1/2" thru 2" Maximum Operating Pressure 125 psi @ 70°F.
- 3" Maximum Operating Pressure 75 psi @ 70°F.
- E.P.D.M. Gaskets



1/2"series couplings interchange with 3/4" size couplings. Coupling ends are 3/4" size.
 1-1/4"series couplings interchange with 1" size couplings. Coupling ends are 1" size.



A Series

PART #	PRICE ea.	QTY	DESCRIPTION
050A	\$6.81	25 / Bag	3/4" Male Adapter x 1/2" Female NPT
075A	\$6.81	25 / Bag	3/4" Male Adapter x 3/4" Female NPT
100A	\$6.81	25 / Bag	1" Male Adapter x 1" Female NPT
125A	\$6.81	25 / Bag	1" Male Adapter x 1-1/4" Female NPT
150125A	\$7.73		1-1/2" Male Adapter x 1-1/4" Female NPT
150A	\$7.73	115 / Box	1-1/2" Male Adapter x 1-1/2" Female NPT
200A	\$9.14	72 / Box	2" Male Adapter x 2" Female NPT
300A	\$22.05	36 / Box	3" Male Adapter x 3" Female NPT
400A	\$33.63		4" Male Adapter x 3" Female NPT



B Series

PART #	PRICE ea.	QTY	DESCRIPTION
050B	\$15.57	25 / Bag	3/4" Female Coupler x 1/2" Male NPT
075B	\$15.57	25 / Bag	3/4" Female Coupler x 3/4" Male NPT
100B	\$17.92	25 / Bag	1" Female Coupler x 1" Male NPT
125B	\$17.92	25 / Bag	1" Female Coupler x 1-1/4" Male NPT
150125B	\$20.99		1-1/2" Female Coupler x 1-1/4" Male NPT
150B	\$20.99	40 / Box	1-1/2" Female Coupler x 1-1/2" Male NPT
200B	\$25.57	28 / Box	2" Female Coupler x 2" Male NPT
300B	\$42.97	15 / Box	3" Female Coupler x 3" Male NPT
400B	\$85.16		4" Female Coupler x 4" Male NPT



C Series

PART #	PRICE ea.	QTY	DESCRIPTION
050C	\$15.57	25 / Bag	3/4" Female Coupler x 1/2" Hose Barb
075C	\$15.57	25 / Bag	3/4" Female Coupler x 3/4" Hose Barb
100C	\$17.92	25 / Bag	1" Female Coupler x 1" Hose Barb
125C	\$17.92	25 / Bag	1" Female Coupler x 1-1/4" Hose Barb
150125C	\$20.99		1-1/2" Female Coupler x 1-1/4" Hose Barb
150C	\$20.99	36 / Box	1-1/2" Female Coupler x 1-1/2" Hose Barb
NEW 200150C	\$25.56		2" Female Coupler x 1-1/2" Hose Barb
200C	\$25.57	28 / Box	2" Female Coupler x 2" Hose Barb
300C	\$42.97	15 / Box	3" Female Coupler x 3" Hose Barb
400C	\$85.16		4" Female Coupler x 4" Hose Barb



D Series

PART #	PRICE ea.	QTY	DESCRIPTION
050D	\$15.57	25 / Bag	3/4" Female Coupler x 1/2" Female NPT
075D	\$15.57	25 / Bag	3/4" Female Coupler x 3/4" Female NPT
100D	\$17.92	25 / Bag	1" Female Coupler x 1" Female NPT
125D	\$17.92	25 / Bag	1" Female Coupler x 1-1/4" Female NPT
150125D	\$20.99		1-1/2" Female Coupler x 1-1/4" Female NPT
150D	\$20.99	32 / Box	1-1/2" Female Coupler x 1-1/2" Female NPT
200D	\$25.57	28 / Box	2" Female Coupler x 2" Female NPT
300D	\$42.97	30 / Box	3" Female Coupler x 3" Female NPT
400D	\$85.16		4" Female Coupler x 4" Female NPT

Cam Lever Coupling features:

- Glass Filled Polypropylene
- 1/2" thru 2" Maximum Operating Pressure 125 psi @ 70°F.
- 3" and 4" Maximum Operating Pressure 75 psi @ 70°F.
- E.P.D.M. Gaskets

1/2"series couplings interchange with 3/4" size couplings. Coupling ends are 3/4" size.

1-1/4"series couplings interchange with 1" size couplings. Coupling ends are 1" size.

4" Camlocks have 3 arms

- Product may vary depending on size.



E Series

PART #	PRICE ea.	QTY	DESCRIPTION
050E	\$7.35	25 / Bag	3/4" Male Adapter x 1/2" Hose Barb
075E	\$7.35	25 / Bag	3/4" Male Adapter x 3/4" Hose Barb
100E	\$8.19	25 / Bag	1" Male Adapter x 1" Hose Barb
125E	\$8.19	25 / Bag	1" Male Adapter x 1-1/4" Hose Barb
150125E	\$8.20		1-1/2" Male Adapter x 1-1/4" Hose Barb
150E	\$8.20	95 / Box	1-1/2" Male Adapter x 1-1/2" Hose Barb
200E	\$10.78	70 / Box	2" Male Adapter x 2" Hose Barb
300E	\$28.26	21 / Box	3" Male Adapter x 3" Hose Barb
400E	\$33.63		4" Male Adapter x 4" Hose Barb



CAP Series

PART #	PRICE ea.	QTY	DESCRIPTION
050075CAP	\$15.57	25 / Bag	3/4" CAP for Male Adapter
100125CAP	\$17.19	25 / Bag	1" CAP for Male Adapter
150CAP	\$20.99	64 / Box	1-1/2" CAP for Male Adapter
200CAP	\$25.57	28 / Box	2" CAP for Male Adapter
300CAP	\$42.97	30 / Box	3" CAP for Male Adapter
400CAP	\$62.11		4" CAP for Male Adapter

Cam Lever Coupling features:

- Glass Filled Polypropylene
- 1/2" thru 2" Maximum Operating Pressure 125 psi @ 70°F.
- 3" and 4" Maximum Operating Pressure 75 psi @ 70°F.
- E.P.D.M. Gaskets

1/2"series couplings interchange with 3/4" size couplings. Coupling ends are 3/4" size.

1-1/4"series couplings interchange with 1" size couplings. Coupling ends are 1" size.

4" Camlocks have 3 arms

- Product may vary depending on size.



F Series

PART #	PRICE ea.	QTY	DESCRIPTION
050F	\$7.35	25 / Bag	3/4" Male Adapter x 1/2" Male NPT
075F	\$7.35	25 / Bag	3/4" Male Adapter x 3/4" Male NPT
100F	\$8.19	25 / Bag	1" Male Adapter x 1" Male NPT
125F	\$8.19	25 / Bag	1" Male Adapter x 1-1/4" Male NPT
150125F	\$8.20		1-1/2" Male Adapter x 1-1/4" Male NPT
150F	\$8.20	120 / Box	1-1/2" Male Adapter x 1-1/2" Male NPT
200F	\$10.78	80 / Box	2" Male Adapter x 2" Male NPT
300F	\$28.26	18 / Box	3" Male Adapter x 3" Male NPT
400F	\$33.63		4" Male Adapter x 4" Male NPT



PL Series

PART #	PRICE ea.	QTY	DESCRIPTION
050075PL	\$7.35	25 / Bag	3/4" Plug for Female Coupler
100125PL	\$7.35	25 / Bag	1" Plug for Female Coupler
150PL	\$7.92	25 / Box	1-1/2" Plug for Female Coupler
200PL	\$10.70	96 / Box	2" Plug for Female Coupler
300PL	\$22.42	65 / Box	3" Plug for Female Coupler
400PL	\$26.44		4" Plug for Female Coupler



Plug with Handle*

*Sold under License,
US Patent Nos. 7,644,734
and 8,397,764

PART #	PRICE ea.	QTY	DESCRIPTION
200PLH	\$22.22	50 / Box	2" Plug with Handle
300PLH	\$33.92	24 / Box	3" Plug with Handle



2" x 3" Series

PART #	PRICE ea.	QTY	DESCRIPTION
300200F	\$19.83		2" Male Adapter x 3" Male NPT
300200A	\$19.83		2" Male Adapter x 3" Female NPT
300B200A	\$42.97	15 / Box	3" Female Coupler x 2" Male Adapter
300200D	\$42.97	15 / Box	3" Female Coupler x 2" Female NPT
SAF300B200A	\$49.47	15 / Box	3" Female Coupler x 2" Male Adapter
SAF300200D	\$49.47	15 / Box	3" Female Coupler x 2" Female NPT

Plug with Handle*



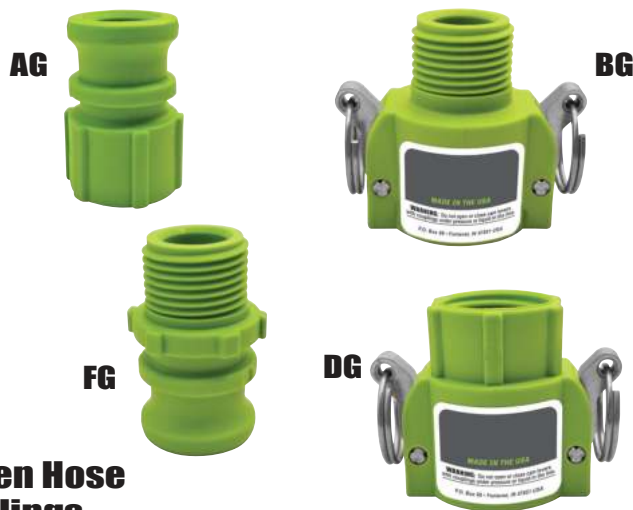
PART #	PRICE ea.	QTY	DESCRIPTION
200PLH	\$22.22	50 / Box	2" Plug with Handle
300PLH	\$33.92	24 / Box	3" Plug with Handle

*Sold under License, US Patent Nos. 7,644,734 and 8,397,764



Replacement Gasket

PART #	PRICE ea.	DESCRIPTION
75G	\$1.24	1/2" & 3/4" EPDM Gasket
100G	\$1.24	1" & 1-1/4" EPDM Gasket
150G	\$1.24	1-1/2" EPDM Gasket
200G	\$1.38	2" EPDM Gasket
300G	\$1.89	3" EPDM Gasket
400G	\$4.44	4" EPDM Gasket
75GV	\$8.23	3/4" Viton® Gasket
100GV	\$8.23	1" Viton® Gasket
150GV	\$8.23	1-1/2" Viton® Gasket
200GV	\$8.77	2" Viton® Gasket
300GV	\$26.32	3" Viton® Gasket
75GXT	\$1.84	3/4" Xtra Thick Gasket
100GXT	\$2.01	1" Xtra Thick Gasket
150GXT	\$2.34	1-1/2" Xtra Thick Gasket
200GXT	\$2.93	2" Xtra Thick Gasket
300GXT	\$3.89	3" Xtra Thick Gasket



Garden Hose Couplings

Polypropylene Garden Hose Couplings used to connect a Female GHT to a Male GHT

PART #	PRICE ea.	SIZE & DESCRIPTION
GLP075AG	\$7.88	3/4" Female GHT x 3/4" Male Adapter
GLP075BG	\$15.69	3/4" Male GHT x 3/4" Female Coupler
GLP075DG	\$15.69	3/4" Female GHT x 3/4" Female Coupler
GLP075FG	\$7.88	3/4" Male GHT x 3/4" Male Adapter

Use either of the valve connectors as a quick shutoff at the end of any garden hose.

Camlock Shims



PART #	PRICE ea.	DESCRIPTION
SHIM075	\$1.09	3/4" Gasket Shim
SHIM100	\$1.20	1" Gasket Shim
SHIM150	\$1.74	1-1/2" Gasket Shim
SHIM200	\$2.21	2" Gasket Shim
SHIM300	\$4.15	3" Gasket Shim
SHIM400	\$5.90	4" Gasket Shim



SWEEP 90°

- Improves Fluid Flow
- Reduces back pressure on pump seal

PART #	PRICE ea.	DESCRIPTION
200CSWP90	\$38.37	2" Female Coupler x 2" Hose Barb Sweep

**Gauge ports are not drilled or tapped.*



SWEEP 90°

- Improves Fluid Flow
- Reduces back pressure on pump seal

PART #	PRICE ea.	QTY	DESCRIPTION
200FSWP90	\$19.32	35 / Box	2" Male Adapter x 2" Male NPT ; 90°
300FSWP90	\$52.71	14 / Box	3" Male Adapter x 3" Male NPT ; 90°



AL
90° Series



CL
90° Series



DL
90° Series



FL
90° Series



Spool
Adapter



45° F
Series

90 Degree Coupling features:

- Glass Filled Polypropylene
- Maximum Operating Pressure 125 P.S.I. @ 70°F
- E.P.D.M. Gaskets

PART #	PRICE ea.	DESCRIPTION
150A90	\$13.42	1-1/2" Male Adapter x 1-1/2" Female NPT
200A90	\$15.31	2" Male Adapter x 2" Female NPT
150C90	\$30.17	1-1/2" Female Coupler x 1-1/2" Hose Shank
200C90	\$34.27	2" Female Coupler x 2" Hose Shank
150D90	\$30.17	1-1/2" Female Coupler x 1-1/2" Female NPT
200D90	\$34.27	2" Female Coupler x 2" Female NPT
150F90	\$16.07	1-1/2" Male Adapter x 1-1/2" Male NPT
200F90	\$17.24	2" Male Adapter x 2" Male NPT
200FF	\$22.02	2" Male Adapter x 2" Male Adapter
200F45	\$24.57	2" Male Adapter x 2" Male NPT



Hose Clamps

- Worm Gear - 67 Series 1/2" Hy Gear Band
- Screw - 5/16" Hex Head; 410 Stainless Steel
- Housing - 200 Stainless Steel
- Band - 1/2"; 200 Stainless Steel
- Installation Torque - 35 in/lbs (4Nm)

HOSE CLAMPS		
PART #	PRICE ea.	DIAMETER RANGE (inches) / Size
K62604	\$1.20	.250 - .625 / Size 4 micro
K62606	\$1.20	.312 - .875 / Size 6 micro
K6706-1	\$1.99	.375 - .875 / Size 6
K6708-1	\$1.99	.437 - 1.00 / Size 8
K6710-1	\$1.99	.500 - 1.06 / Size 10
K6712-1	\$2.10	.500 - 1.25 / Size 12
K6716-1	\$2.10	.687 - 1.50 / Size 16
K6720-1	\$2.20	.750 - 1.75 / Size 20
K6724-1	\$2.30	1.00 - 2.00 / Size 24
K6728-1	\$2.30	1.25 - 2.25 / Size 28
K6732-1	\$2.40	1.50 - 2.50 / Size 32
K6736-1	\$2.40	.750 - 2.75 / Size 36
K6740-1	\$2.60	1.00 - 3.00 / Size 40
K6744-1	\$2.60	1.25 - 3.25 / Size 44
K6748-1	\$2.75	1.50 - 3.50 / Size 48
K6756-1	\$3.00	2.00 - 4.00 / Size 56
K6764-1	\$3.00	2.50 - 4.50 / Size 64
K6780-1	\$4.50	3.50 - 5.50 / Size 80
K6796-1	\$4.55	4.50 - 6.50 / Size 96
K67104	\$5.00	5.00 - 7.00 / Size 104



Skin Savers

SKIN SAVERS		
PART #	PRICE ea.	DESCRIPTION
KSS500.50	\$0.89	Skin Saver; 1/2" band width
KSS562.50	\$1.08	Skin Saver; 9/16" band width
KSS625.50	\$1.15	Skin Saver; 5/8" band width

Pressure Seal HD Clamps

- 5/8" Band Width
- 300 Stainless Steel construction
- 150 in/lbs ultimate torque
- Spring compression of liner creates 360° pressure on hose
- Trough feature exerts additional pressure on hose



PRESSURE SEAL HD CLAMPS		
PART #	PRICE ea.	DIAMETER RANGE (inches)
PC12	\$5.29	range .81" - 1.04" for 1/2" hose
PC14	\$5.34	range .88" - 1.17" for 3/4" hose
PC16	\$7.65	range 1.13" - 1.45" for 1" hose
PC20	\$7.78	range 1.13" - 1.56" for 1" hose
PC24	\$8.19	range 1.50" - 1.82" for 1-1/4" hose
PC28	\$8.25	
PC238	\$11.63	range 1.62" - 2.12" for 1-1/2" hose
PC262	\$11.78	range 1.88" - 2.37"
PC275	\$12.11	range 2.00" - 2.50" for 2" hose
PC288	\$12.25	range 2.12" - 2.62" for 2" hose
PC300	\$12.39	range 2.25" - 2.75"
PC325	\$12.39	range 2.50" - 3.00"
PC350	\$12.53	range 2.75" - 3.25"
PC375	\$12.72	range 2.88" - 3.50"
PC400	\$13.13	range 3.12" - 3.75" for 3" hose
PC425	\$13.34	range 3.31" - 4.00"
PC450	\$14.36	range 3.44" - 4.25"
PC512	\$14.69	range 4.06" - 4.87" for 4" hose

T Bolt Clamps

- Heavy Duty - 300 Series T-Bolt
- 90 in/lbs torque
- T-Bolt - 1/4" 300 Stainless Steel
- Hex Nut - 7/16" 300 Stainless Steel w/Nylon Insert
- Band - 3/4" or 7/8" 300 Stainless Steel
- Bridge - 3/4" 300 Stainless Steel
- Trunnion - 300 Stainless Steel



T BOLT CLAMPS		
PART #	PRICE ea.	DIAMETER RANGE (inches) / Size
TC120	\$11.61	1.20 - 1.34 / Size 120
TC130	\$12.90	1.30 - 1.50 / Size 130
TC150	\$13.04	1.50 - 1.76 / Size 150
TC162	\$12.89	1.62 - 1.87 / Size 162
TC181	\$11.84	1.81 - 2.06 / Size 181
TC193	\$13.04	1.93 - 2.18 / Size 218
TC206	\$13.64	2.06 - 2.40 / Size 206
TC218	\$12.18	2.18 - 2.50 / Size 218
TC224	\$13.64	2.24 - 2.55 / Size 224
TC231	\$12.71	2.31 - 2.69 / Size 231
TC250	\$13.64	2.50 - 2.81 / Size 250
TC287	\$13.64	2.87 - 3.18 / Size 287
TC312	\$13.96	3.12 - 3.49 / Size 312
TC331	\$13.25	3.31 - 3.62 / Size 331
TC343	\$13.25	3.43 - 3.81 / Size 343
TC425	\$15.79	4.25 - 4.56 / Size 425
TC438	\$26.32	4.38 - 4.76 / Size 438
TC456	\$26.32	4.56 - 4.94 / Size 456

Strainers

FEATURED ITEMS —

**Threaded
& Manifold
T Strainers**



**Threaded
& Manifold Y Strainers**



Selection

These heavy duty fittings are available in sizes ranging from 1/2" to 2".

Durability

TerreMax's fittings are utilized for a variety of agricultural, plumbing and industrial liquid-handling solutions.

Polypropylene

Our resin is a high-strength, custom blended, glass-filled polypropylene.

Knowledge

Let us use our expertise to help you make the right choice.

Experience

We have been producing high quality fittings for over 4 decades.



NEW

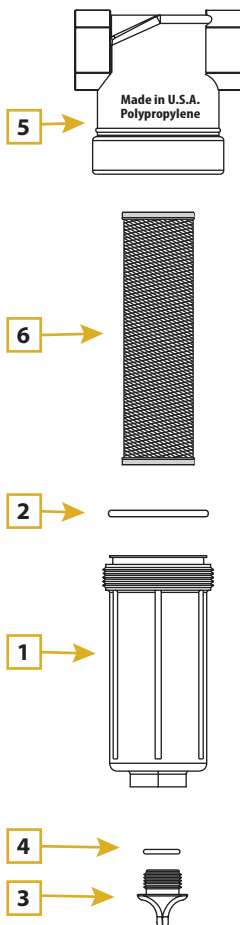


LST10050

FEMALE THREADED T STRAINER

- Heavy Duty Glass Reinforced Polypropylene
- Clean Out Plug
- EPDM Gaskets; Viton® available
- Replacement parts available (see below)

PART #	PRICE ea.	DESCRIPTION
LST07530	\$58.95	3/4" Female NPT; T Strainer; 30 Mesh SS Screen
LST07550	\$58.95	3/4" Female NPT; T Strainer; 50 Mesh SS Screen
LST07580	\$58.95	3/4" Female NPT; T Strainer; 80 Mesh SS Screen
LST075100	\$58.95	3/4" Female NPT; T Strainer; 100 Mesh SS Screen
LST10030	\$58.95	1" Female NPT; T Strainer; 30 Mesh SS Screen
LST10050	\$58.95	1" Female NPT; T Strainer; 50 Mesh SS Screen
LST10080	\$58.95	1" Female NPT; T Strainer; 80 Mesh SS Screen
LST100100	\$58.95	1" Female NPT; T Strainer; 100 Mesh SS Screen
LST12530	\$121.41	1-1/4" Female NPT; T Strainer; 30 Mesh SS Screen
LST12550	\$121.41	1-1/4" Female NPT; T Strainer; 50 Mesh SS Screen
LST12580	\$121.41	1-1/4" Female NPT; T Strainer; 80 Mesh SS Screen
LST125100	\$121.41	1-1/4" Female NPT; T Strainer; 100 Mesh SS Screen
LST15030	\$121.41	1-1/2" Female NPT; T Strainer; 30 Mesh SS Screen
LST15050	\$121.41	1-1/2" Female NPT; T Strainer; 50 Mesh SS Screen
LST15080	\$121.41	1-1/2" Female NPT; T Strainer; 80 Mesh SS Screen
LST150100	\$121.41	1-1/2" Female NPT; T Strainer; 100 Mesh SS Screen



Replacement Parts for: FEMALE THREADED T STRAINER

ITEM	PART #	PRICE ea.	DESCRIPTION
1	LST100B	\$22.17	3/4" & 1" Bowl (contains #1, #2, #3, #4)
1	LST150B	\$39.97	1-1/4" & 1-1/2" Bowl (contains #1, #2, #3, #4)
2	LST100G	\$5.41	3/4" & 1" O-Ring ; EPDM
2	LST150G	\$5.41	1-1/4" & 1-1/2" O-Ring ; EPDM
2	LST100GV	\$10.28	3/4" & 1" O-Ring ; VITON®
2	LST150GV	\$13.52	1-1/4" & 1-1/2" O-Ring ; VITON®
3	LSP050	\$4.06	1/2" Clean Out Plug
3	LSP100	\$4.87	1" Clean Out Plug
4	LSP050G	\$1.35	EPDM O-Ring for 1/2" Clean Out Plug
4	LSP050GV	\$2.22	Viton® O-Ring for 1/2" Clean Out Plug
4	LSP100G	\$1.46	EPDM O-Ring for 1" Clean Out Plug
4	LSP100GV	\$2.49	Viton® O-Ring for 1" Clean Out Plug
6	LST130SS	\$28.65	30 Mesh for 3/4" & 1" T Strainers; 316SS
6	LST1530SS	\$47.81	30 Mesh for 1-1/4" & 1-1/2" T Strainers; 316SS
6	LST150SS	\$28.65	50 Mesh for 3/4" & 1" T Strainers; 316SS
6	LST1550SS	\$47.81	50 Mesh for 1-1/4" & 1-1/2" T Strainers; 316SS
6	LST180SS	\$28.65	80 Mesh for 3/4" & 1" T Strainers; 316SS
6	LST1580SS	\$47.81	80 Mesh for 1-1/4" & 1-1/2" T Strainer; 316SS
6	LST1100SS	\$30.77	100 Mesh for 3/4" & 1" T Strainers; 316SS
6	LST15100SS	\$47.81	100 Mesh for 1-1/4" & 1-1/2" T Strainers; 316SS
5	LST075H	\$18.93	3/4" Female NPT; T Strainer Head
5	LST100H	\$18.93	1" Female NPT; T Strainer Head
5	LST125H	\$40.94	1-1/4" Female NPT; T Strainer Head
5	LST150H	\$41.91	1-1/2" Female NPT; T Strainer Head
N/S	LST075HB	\$37.32	3/4" T Strainer Kit includes 1-5
N/S	LST100HB	\$37.32	1" T Strainer Kit includes 1-5
N/S	LST125HB	\$82.42	1-1/4" T Strainer Kit includes 1-5
N/S	LST150HB	\$82.42	1-1/2" T Strainer Kit includes 1-5

NEW

1/2" — 1-1/4" FEMALE THREADED Y STRAINER

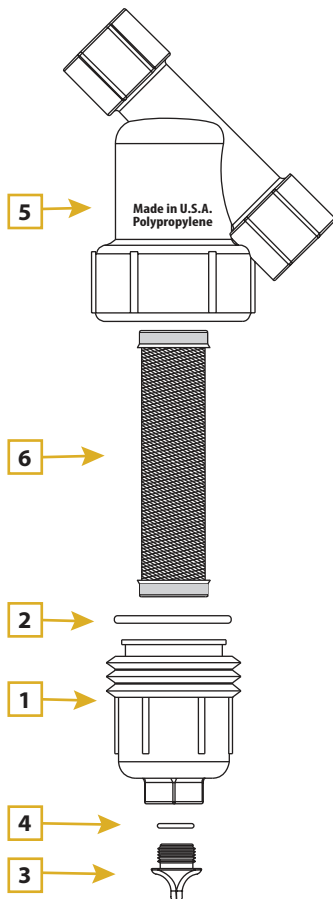
- Heavy Duty Glass Reinforced Polypropylene
- Clean Out Plug
- EPDM Gaskets; Viton® available
- Replacement parts available (see below)



LS12580

PART #	PRICE ea.	DESCRIPTION
LS05020	\$55.97	1/2" Female NPT; Y Strainer; 20 Mesh SS Screen
LS05040	\$55.97	1/2" Female NPT; Y Strainer; 40 Mesh SS Screen
LS05080	\$55.97	1/2" Female NPT; Y Strainer; 80 Mesh SS Screen
LS07520	\$53.25	3/4" Female NPT; Y Strainer; 20 Mesh SS Screen
LS07540	\$53.25	3/4" Female NPT; Y Strainer; 40 Mesh SS Screen
LS07580	\$53.25	3/4" Female NPT; Y Strainer; 80 Mesh SS Screen
LS10020	\$58.03	1" Female NPT; Y Strainer; 20 Mesh SS Screen
LS10040	\$58.03	1" Female NPT; Y Strainer; 40 Mesh SS Screen
LS10080	\$58.03	1" Female NPT; Y Strainer; 80 Mesh SS Screen
LS12520	\$58.03	1-1/4" Female NPT; Y Strainer; 20 Mesh SS Screen
LS12540	\$58.03	1-1/4" Female NPT; Y Strainer; 40 Mesh SS Screen
LS12580	\$58.03	1-1/4" Female NPT Y Strainer; 80 Mesh SS Screen

*No Clean Out Port on 1/2" or 3/4" cap ; LS075C



Replacement Parts for: 1/2" — 1-1/4" FEMALE THREADED Y STRAINER

ITEM	PART #	PRICE ea.	DESCRIPTION
1	LS075C	\$14.60	1/2" & 3/4" End Cap (contains #1, #2, #3, #4)
1	LS100C	\$15.14	1" & 1-1/4" End Cap (contains #1, #2, #3, #4)
2	LS075G	\$4.33	1/2" & 3/4" O-Ring ; EPDM
2	LS075GV	\$8.92	1/2" & 3/4" O-Ring ; VITON®
2	LS100G	\$5.41	1" & 1-1/4" O-Ring ; EPDM
2	LS100GV	\$10.28	1" & 1-1/4" O-Ring ; VITON®
3	LSP050	\$4.06	1/2" Clean Out Plug (fits 1" & 1-1/4")
4	LSP050G	\$1.35	EPDM O-Ring for 1/2" Clean Out Plug
4	LSP050GV	\$2.22	VITON® O-Ring for 1/2" Clean Out Plug
6	LS720SS	\$36.13	20 Mesh for 1/2" & 3/4" Y Strainers; 316SS
6	LS120SS	\$36.13	20 Mesh for 1" & 1-1/4" Y Strainers; 316SS
6	LS740SS	\$36.13	40 Mesh for 1/2" & 3/4" Y Strainers; 316SS
6	LS140SS	\$36.13	40 Mesh for 1" & 1-1/4" Y Strainers; 316SS
6	LS780SS	\$36.13	80 Mesh for 1/2" & 3/4" Y Strainers; 316SS
6	LS180SS	\$36.13	80 Mesh for 1" & 1-1/4" Y Strainers; 316SS
5	LS050B	\$13.52	1/2" Female NPT; Y Strainer Body
5	LS075B	\$13.52	3/4" Female NPT; Y Strainer Body
5	LS100B	\$14.06	1" Female NPT; Y Strainer Body
5	LS125B	\$14.06	1-1/4" Female NPT; Y Strainer Body
N/S	LS050BC	\$28.66	1/2" Y Strainer Kit includes 1-5
N/S	LS075BC	\$28.66	3/4" Y Strainer Kit includes 1-5
N/S	LS100BC	\$29.74	1" Y Strainer Kit includes 1-5
N/S	LS125BC	\$29.74	1-1/4" Y Strainer Kit includes 1-5



NEW

1-1/2" & 2" FEMALE THREADED Y STRAINER

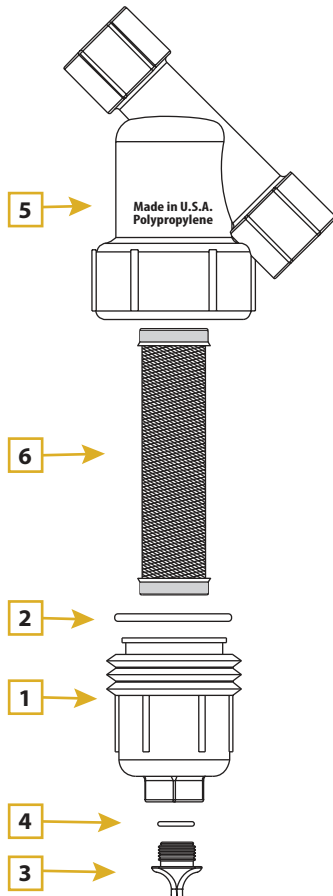
- Heavy Duty Glass Reinforced Polypropylene
- Clean Out Plug
- EPDM Gaskets; Viton® available
- Replacement parts available (see below)



LS20050

PART #	PRICE ea.	DESCRIPTION
LS15012	\$116.27	1-1/2" Female NPT; Y Strainer; 12 Mesh SS Screen
LS15020	\$116.27	1-1/2" Female NPT; Y Strainer; 20 Mesh SS Screen
LS15030	\$116.27	1-1/2" Female NPT; Y Strainer; 30 Mesh SS Screen
LS15050	\$116.27	1-1/2" Female NPT; Y Strainer; 50 Mesh SS Screen
LS15080	\$116.27	1-1/2" Female NPT; Y Strainer; 80 Mesh SS Screen
LS20012	\$116.27	2" Female NPT; Y Strainer; 12 Mesh SS Screen
LS20020	\$116.27	2" Female NPT; Y Strainer; 20 Mesh SS Screen
LS20030	\$116.27	2" Female NPT; Y Strainer; 30 Mesh SS Screen
LS20050	\$116.27	2" Female NPT; Y Strainer; 50 Mesh SS Screen
LS20080	\$116.27	2" Female NPT; Y Strainer; 80 Mesh SS Screen

**Replacement Parts for:
1-1/2" & 2" FEMALE THREADED Y STRAINER**



ITEM	PART #	PRICE ea.	DESCRIPTION
1	LS150C	\$32.23	1-1/2" & 2" End Cap (contains #1, #2, #3, #4)
2	LS150G	\$5.41	1-1/2" & 2" O-Ring ; EPDM
2	LS150GV	\$13.52	1-1/2" & 2" O-Ring ; VITON®
3	LSP100	\$4.87	1" Clean Out Plug (fits 1-1/2" & 2")
4	LSP100G	\$1.46	EPDM O-Ring for 1-1/2" & 2" Clean Out Plug
4	LSP100GV	\$2.49	VITON® O-Ring for 1-1/2" & 2" Clean Out Plug
6	LS212SS	\$65.17	12 Mesh for 1-1/2" & 2" Y Strainers; 316SS
6	LS220SS	\$65.17	20 Mesh for 1-1/2" & 2" Y Strainers; 316SS
6	LS230SS	\$65.17	30 Mesh for 1-1/2" & 2" Y Strainers; 316SS
6	LS250SS	\$65.17	50 Mesh for 1-1/2" & 2" Y Strainers; 316SS
6	LS280SS	\$65.17	80 Mesh for 1-1/2" & 2" Y Strainers; 316SS
5	LS150B	\$33.15	1-1/2" Female NPT; Y Strainer Body
5	LS200B	\$33.15	2" Female NPT; Y Strainer Body
N/S	LS150BC	\$65.98	1-1/2" Y Strainer Kit includes 1-5
N/S	LS200BC	\$65.98	2" Y Strainer Kit includes 1-5

STRAINER SCREENS



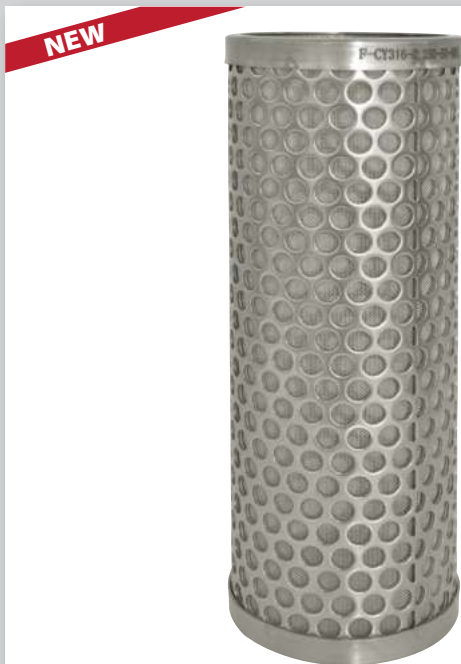
**Interchangeable
with other brands**



Stamped P/N

Line Strainer Screens

PART #	PRICE ea.	DESCRIPTION
LS720SS	\$36.13	20 Mesh for 1/2" & 3/4" Y-Strainers ; 316SS
LS740SS	\$36.13	40 Mesh for 1/2" & 3/4" Y-Strainers ; 316SS
LS780SS	\$36.13	80 Mesh for 1/2" & 3/4" Y-Strainers ; 316SS
LS120SS	\$36.13	20 Mesh for 1" & 1-1/4" Y-Strainers ; 316SS
LS140SS	\$36.13	40 Mesh for 1" & 1-1/4" Y-Strainers ; 316SS
LS180SS	\$36.13	80 Mesh for 1" & 1-1/4" Y-Strainers ; 316SS
LS212SS	\$65.17	12 Mesh for 1-1/2" & 2" Y-Strainers ; 316SS
LS220SS	\$65.17	20 Mesh for 1-1/2" & 2" Y-Strainers ; 316SS
LS230SS	\$65.17	30 Mesh for 1-1/2" & 2" Y-Strainers ; 316SS
LS250SS	\$65.17	50 Mesh for 1-1/2" & 2" Y-Strainers ; 316SS
LS280SS	\$65.17	80 Mesh for 1-1/2" & 2" Y-Strainers ; 316SS
LST130SS	\$28.65	30 Mesh for 3/4" & 1" T-Strainers ; 316SS
LST150SS	\$28.65	50 Mesh for 3/4" & 1" T-Strainers ; 316SS
LST180SS	\$28.65	80 Mesh for 3/4" & 1" T-Strainers ; 316SS
LST1100SS	\$30.77	100 Mesh for 3/4" & 1" T-Strainers ; 316SS
LST1530SS	\$47.81	30 Mesh for 1-1/2" & 2" T-Strainers ; 316SS
LST1550SS	\$47.81	50 Mesh for 1-1/2" & 2" T-Strainers ; 316SS
LST1580SS	\$47.81	80 Mesh for 1-1/2" & 2" T-Strainers ; 316SS
LST15100SS	\$47.81	100 Mesh for 1-1/2" & 2" T-Strainers ; 316SS



Perforated Line Strainer Screens

Screen fits: LS150, LS200 & LS220

PART #	PRICE ea.	DESCRIPTION
PLS250SS	\$97.50	50 Mesh for 1-1/2" & 2" Y-Strainers ; 316SS
PLS280SS	\$97.50	80 Mesh for 1-1/2" & 2" Y-Strainers ; 316SS

Black Poly Top & Clear Nylon Bowl In-Line Strainer

PART #	PRICE ea.	DESCRIPTION
LSTM05050C	\$40.08	1/2" Poly T-Strainer 50 Mesh
LSTM05080C	\$40.08	1/2" Poly T-Strainer 80 Mesh
LSTM07550C	\$40.08	3/4" Poly T-Strainer 50 Mesh
LSTM07580C	\$40.08	3/4" Poly T-Strainer 80 Mesh
LSTM10050C	\$73.42	1" Poly T-Strainer 50 Mesh
LSTM10080C	\$73.42	1" Poly T-Strainer 80 Mesh
LSTM12550C	\$77.72	1-1/4" Poly T-Strainer 50 Mesh
LSTM12580C	\$77.72	1-1/4" Poly T-Strainer 80 Mesh
LSTM15050C	\$86.83	1-1/2" Poly T-Strainer 50 Mesh
LSTM15080C	\$86.83	1-1/2" Poly T-Strainer 80 Mesh



- EPDM Gaskets
- Stainless Steel Screens

Replacement Gaskets & Screens Available

Viton Gaskets Available

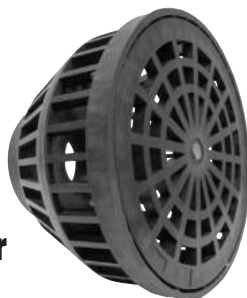
Replacement Screens for Black Poly Top & Clear Nylon Bowl In-Line Strainer

PART #	PRICE ea.	DESCRIPTION
LSTM05050S	\$9.75	Screen; 50 Mesh for 1/2" & 3/4" Mini T-Strainers; Blue
LSTM05080S	\$9.75	Screen; 80 Mesh for 1/2" & 3/4" Mini T-Strainers; White
LSTM10050S	\$12.75	Screen; 50 Mesh for 1" Mini T-Strainers; Blue
LSTM10080S	\$12.75	Screen; 80 Mesh for 1" Mini T-Strainers; White
LSTM12550S	\$15.75	Screen; 50 Mesh for 1-1/4" Mini T-Strainers; Blue
LSTM12580S	\$15.75	Screen; 80 Mesh for 1-1/4" Mini T-Strainers; White
LSTM15050S	\$17.75	Screen; 50 Mesh for 1-1/2" Mini T-Strainers; Blue
LSTM15080S	\$17.75	Screen; 80 Mesh for 1-1/2" Mini T-Strainers; White



Polypropylene Basket Suction Strainer

Polypropylene Strainer



PART #	PRICE ea.	DESCRIPTION
SR150P	\$20.21	1-1/2" Female NPT
SR200P	\$20.21	2" Female NPT
SR300P	\$34.50	3" Female NPT

Round Hole Steel Basket Strainer

Zinc Plated, with standard Pipe Threads



PART #	PRICE ea.	DESCRIPTION
SR125SP	\$37.75	1-1/4" Female NPT
SR150SP	\$38.48	1-1/2" Female NPT
SR200SP	\$45.50	2" Female NPT
SR300SP	\$76.50	3" Female NPT

Bulkhead Fittings

FEATURED ITEMS —

Manifold Bulkhead Fitting



Polypropylene Bulkhead Fitting



Nylon Bulkhead Fitting



Selection

These heavy duty fittings are available in sizes ranging from 1/2" to 4".

Durability

TerreMax's fittings are utilized for a variety of agricultural, plumbing and industrial liquid-handling solutions.

Polypropylene

Our resin is a high-strength, custom blended, glass-filled polypropylene.

Knowledge

Let us use our expertise to help you make the right choice.

Experience

We have been producing high quality fittings for over 4 decades.



MTF220



Manifold Bulkhead Fitting

Glass Reinforced Polypropylene

EDPM standard

PART #	QTY	THREAD	WASHER	HOLE SIZE
INTERNAL SEALING				
POLY	PRICE ea.			
MTF220	\$42.95	300 / Box	2" FP Flange x 2" Female NPT	EPDM 3-1/4"
MTF220V	\$96.66	30 / Box	2" FP Flange x 2" Female NPT	VITON 3-1/4"
MTF300	\$71.98	8 / Box	3" Flange x 3" Female NPT	EPDM 4-1/2"
MTF300V	\$133.85	8 / Box	3" Flange x 3" Female NPT	VITON 4-1/2"

Viton Gasket



Gasket Retention Groove

Bulkhead Fitting

Material:

- Body and Nut are Polypropylene (P)
- Friction washer is Polyethylene
- Sealing washer is either EPDM (E) or Viton.

PART #	QTY	THREAD	WASHER	HOLE SIZE
INTERNAL SEALING				
POLY	PRICE ea.			
TF050	\$8.61	150 / Box	1/2" Female NPT	EPDM 1-5/8"
TF050V	\$28.10	150 / Box	1/2" Female NPT	VITON 1-5/8"
TF075	\$8.22	150 / Box	3/4" Female NPT	EPDM 1-5/8"
TF075V	\$26.82	150 / Box	3/4" Female NPT	VITON 1-5/8"
TF100	\$10.95	85 / Box	1" Female NPT	EPDM 2-1/4"
TF100V	\$37.54	85 / Box	1" Female NPT	VITON 2-1/4"
TF125	\$13.33	85 / Box	1 1/4" Female NPT	EPDM 2-1/4"
TF125V	\$37.54	85 / Box	1-1/4" Female NPT	VITON 2-1/4"
TF150	\$19.07	40 / Box	1 1/2" Female NPT	EPDM 3"
TF150V	\$46.17	40 / Box	1-1/2" Female NPT	VITON 3"
TF200	\$19.07	40 / Box	2" Female NPT	EPDM 3"
TF200V	\$52.21	40 / Box	2" Female NPT	VITON 3"
TF220	\$38.67	30 / Box	2" Female NPT	EPDM 3-1/4"
TF220V	\$95.30	30 / Box	2" Female NPT	VITON 3-1/4"
TF300	\$59.60	8 / Box	3" Female NPT	EPDM 4-1/2"
TF300V	\$126.96	8 / Box	3" Female NPT	VITON 4-1/2"
TF400	\$147.92	3 / Box	4" Female NPT	EPDM 5-3/4"

External Thread and nut are left hand threads.
Internal Thread is FPT.
For use with tanks having a wall thickness of 1/16" to 1/2".



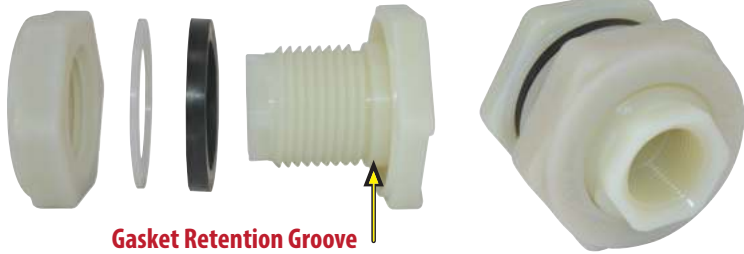
EPDM



VITON

Bulkhead Gaskets

PART #	PRICE ea.	DESCRIPTION
TF050075G	\$3.57	Gasket for 3/4" & 1/2"; EPDM
TF050075GV	\$11.09	Gasket for 3/4" & 1/2"; Viton
TF100125G	\$3.84	Gasket for 1" & 1-1/4"; EPDM
TF100125GV	\$12.31	Gasket for 1" & 1-1/4"; Viton
TF150200G	\$4.28	Gasket for 1-1/2 & 2"; EPDM
TF150200GV	\$16.66	Gasket for 1-1/2 & 2"; Viton
TF220G	\$9.38	Gasket for 2"; EPDM
TF220GV	\$35.75	Gasket for 2"; Viton
TF300G	\$14.45	Gasket for 3"; EPDM
TF300GV	\$62.75	Gasket for 3"; Viton
TF400G	\$33.91	Gasket for 4"; EPDM



Gasket Retention Groove

Material:

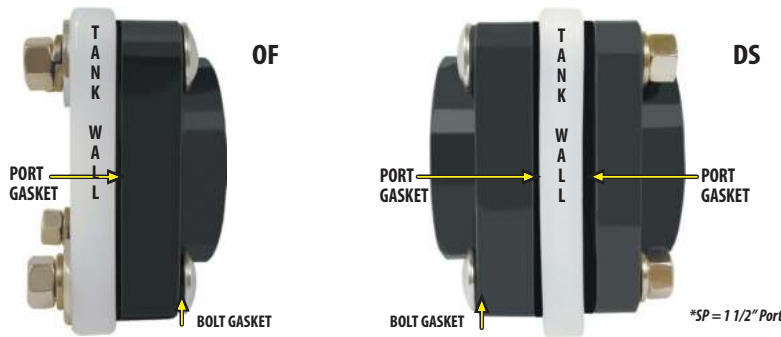
- Body and Nut are Nylon (N)
- Friction washer is Polyethylene
- Sealing washer is either Buna (B), EPDM (E).

Bulkhead Fitting

External Thread and nut are left hand threads.
Internal Thread is FPT.

For use with tanks having a wall thickness of 1/16" to 1/2".

PART #		THREAD	WASHER	HOLE SIZE
INTERNAL SEALING				
NYLON	PRICE ea.			
TF12NB	\$9.07	1/2" Female NPT	BUNA	1-5/8"
TF12NE	\$8.61	1/2" Female NPT	EPDM	1-5/8"
TF34NB	\$8.66	3/4" Female NPT	BUNA	1-5/8"
TF34NE	\$8.22	3/4" Female NPT	EPDM	1-5/8"



Fits Tank Wall thickness from 1/4" - 1/2"

- Polypropylene Flanges
- Stainless Steel bolts, nuts & washers
- EPDM Gaskets

Outlet Flange

For use when access to inside of tank is available

PART #	PRICE ea.	DESCRIPTION
OF125	\$39.42	1-1/4" Female NPT Full Port
OF150	\$39.42	1-1/2" Female NPT Full Port
OF200FP	\$45.23	2" Female NPT Full Port

Inside Bolt Seal Double Seal Flange

Nuts are tightened from outside of tank

PART #	PRICE ea.	INLET x OUTLET
DS125	\$58.75	1-1/4" SP* x 1-1/4" Full Port
DS150	\$58.75	1-1/2" SP* x 1-1/2" Full Port
DS200FP	\$60.56	2" Full Port x 2" Full Port



Siphon Tube

Full Flow Size
Male NPT Threads
Polypropylene

PART #	PRICE ea.	DESCRIPTION
ST200SH	\$23.50	2" Poly Siphon Tube x 5" long
ST200	\$31.41	2" Poly Siphon Tube x 12" long
ST300	\$46.46	3" Poly Siphon Tube x 12" long



Dry Poppet Coupling features:

- Lightweight
- Minimal Fluid Spillage
- Easy to Use
- Economical
- PTFE filled Polyethylene Seats
- Reduced Risk of Exposure
- Wide Range of Chemical Resistance
- Maximum Operating Pressure 70 P.S.I. @ 70°F
- Maximum Operating Temperature 150°F
- 30 GPM Maximum Flow
- Precision Molded in Polypropylene
- 1" Female NPT Threads

Applications:

- Agriculture
- Industrial
- Pharmaceutical
- Chemical processing

Schedule 80

FEATURED ITEMS —

**90° Sweep
Hose Barb**



**90°
Hose Barb**



**Reducing
Nipple**



Nipple



**Reducer
Bushing**



Selection

Schedule 80 heavy duty fittings are available in sizes ranging from 1/2" to 3".

Durability

TerreMax's hose & pipe fittings are utilized for a variety of agricultural, plumbing and industrial liquid-handling solutions.

Polypropylene

Our resin is a high-strength, custom blended, glass-filled polypropylene.

Custom

Can't find what you're looking for in our fitting line? No worries, we make custom fittings as well!

Knowledge

Let us use our expertise to help you make the right choice.

Experience

We have been producing high quality fittings for over 4 decades.



Straight Adapter

PART #	PRICE ea.	SIZE & DESCRIPTION
HB025	\$1.75	1/4" Male NPT x 1/4" Hose Barb
HB025038	\$1.75	1/4" Male NPT x 3/8" Hose Barb
HB025050	\$2.11	1/4" Male NPT x 1/2" Hose Barb
HB038	\$1.90	3/8" Male NPT x 3/8" Hose Barb
HB038025	\$1.57	3/8" Male NPT x 1/4" Hose Barb
HB038050	\$1.90	3/8" Male NPT x 1/2" Hose Barb
HB050038	\$1.90	1/2" Male NPT x 3/8" Hose Barb
HB050	\$1.76	1/2" Male NPT x 1/2" Hose Barb
HB050075	\$2.09	1/2" Male NPT x 3/4" Hose Barb
HB075038	\$2.11	3/4" Male NPT x 3/8" Hose Barb
HB075050	\$1.95	3/4" Male NPT x 1/2" Hose Barb
HB075	\$1.95	3/4" Male NPT x 3/4" Hose Barb
HB075100	\$2.40	3/4" Male NPT x 1" Hose Barb
HB100075	\$2.40	1" Male NPT x 3/4" Hose Barb
HB100	\$2.40	1" Male NPT x 1" Hose Barb
HB100125	\$2.95	1" Male NPT x 1-1/4" Hose Barb
HB125100	\$2.95	1-1/4" Male NPT x 1" Hose Barb
HB125	\$2.95	1-1/4" Male NPT x 1-1/4" Hose Barb
HB150100	\$4.78	1-1/2" Male NPT x 1" Hose Barb
HB150125	\$4.01	1-1/2" Male NPT x 1-1/4" Hose Barb
HB150	\$4.50	1-1/2" Male NPT x 1-1/2" Hose Barb
HB150200	\$6.91	1-1/2" Male NPT x 2" Hose Barb
HB200150	\$6.91	2" Male NPT x 1-1/2" Hose Barb
HB200	\$5.50	2" Male NPT x 2" Hose Barb
HB300	\$17.75	3" Male NPT x 3" Hose Barb



90° Sweep Hose Barb

PART #	PRICE ea.	DESCRIPTION
HB075SW90	\$6.64	3/4" Male NPT x 3/4" Hose Barb Elbow
HB100SW90	\$8.59	1" Male NPT x 1" Hose Barb Elbow
HB125SW90	\$13.67	1-1/4" Male NPT x 1-1/4" Hose Barb Elbow
HB150SW90	\$14.65	1-1/2" Male NPT x 1-1/2" Hose Barb Elbow
HB200SW90	\$15.42	2" Male NPT x 2" Hose Barb Elbow
HB300SW90	\$62.50	3" Male NPT x 3" Hose Barb Elbow



Female Thread Hose Barb

PART #	PRICE ea.	DESCRIPTION
HBF200	\$8.84	2" Female NPT X 2" Hose Barb



Straight Hose Mender

PART #	PRICE ea.	DESCRIPTION
HM075	\$2.02	3/4" Hose Barb x 3/4" Hose Barb
HM100	\$2.45	1" Hose Barb x 1" Hose Barb
HM125	\$2.75	1-1/4" Hose Barb x 1-1/4" Hose Barb
HM150	\$5.05	1-1/2" Hose Barb x 1-1/2" Hose Barb
HM200	\$5.65	2" Hose Barb x 2" Hose Barb
HM300	\$17.62	3" Hose Barb x 3" Hose Barb

NEW



90° Hose Barb

PART #	PRICE ea.	DESCRIPTION
HB02590	\$2.23	1/4" Male NPT x 1/4" Hose Barb 90° Elbow
NEW HB02503890	\$2.23	1/4" Male NPT x 3/8" Hose Barb 90° Elbow
NEW HB02505090	\$2.23	1/4" Male NPT x 1/2" Hose Barb 90° Elbow
HB03890	\$2.23	3/8" Male NPT x 3/8" Hose Barb 90° Elbow
NEW HB05003890	\$2.23	1/2" Male NPT x 3/8" Hose Barb 90° Elbow
HB05090	\$2.23	1/2" Male NPT x 1/2" Hose Barb 90° Elbow
HB05007590	\$2.23	1/2" Male NPT x 3/4" Hose Barb 90° Elbow
HB07505090	\$2.82	3/4" Male NPT x 1/2" Hose Barb 90° Elbow
HB07590	\$2.35	3/4" Male NPT x 3/4" Hose Barb 90° Elbow
HB07510090	\$2.82	3/4" Male NPT x 1" Hose Barb 90° Elbow
NEW HB10007590	\$3.60	1" Male NPT x 3/4" Hose Barb 90° Elbow
HB10090	\$2.98	1" Male NPT x 1" Hose Barb 90° Elbow
NEW HB10012590	\$4.40	1" Male NPT x 1-1/4" Hose Barb 90° Elbow
HB12510090	\$4.40	1-1/4" Male NPT x 1" Hose Barb 90° Elbow
HB12590	\$4.40	1-1/4" Male NPT x 1-1/4" Hose Barb 90° Elbow
NEW HB12515090	\$12.66	1-1/4" Male NPT x 1-1/2" Hose Barb 90° Elbow
NEW HB15012590	\$12.66	1-1/2" Male NPT x 1-1/4" Hose Barb 90° Elbow
HB15090	\$10.55	1-1/2" Male NPT x 1-1/2" Hose Barb 90° Elbow
NEW HB20015090	\$13.87	2" Male NPT x 1-1/2" Hose Barb 90° Elbow
HB20090	\$11.55	2" Male NPT x 2" Hose Barb 90° Elbow
HB30090	\$55.81	3" Male NPT x 3" Hose Barb 90° Elbow



Elbow

PART #	PRICE ea.	DESCRIPTION
ELF12P	\$3.95	1/2" Female NPT x 1/2" Female NPT
ELF34P	\$4.43	3/4" Female NPT x 3/4" Female NPT
ELF100P	\$5.98	1" Female NPT x 1" Female NPT
ELF114P	\$8.22	1-1/4" Female NPT x 1-1/4" Female NPT
ELF112P	\$10.37	1-1/2" Female NPT x 1-1/2" Female NPT
ELF200P	\$13.94	2" Female NPT x 2" Female NPT
ELF300P	\$78.45	3" Female NPT x 3" Female NPT



Reducing Coupling

PART #	PRICE ea.	DESCRIPTION
RC100075	\$9.53	1" Female NPT x 3/4" Female NPT
RC150100	\$16.18	1-1/2" Female NPT x 1" Female NPT
RC200100	\$14.09	2" Female NPT x 1" Female NPT
RC200150	\$14.32	2" Female NPT x 1-1/2" Female NPT
RC300200	\$50.85	3" Female NPT x 2" Female NPT



Street Elbow

PART #	PRICE ea.	DESCRIPTION
SE14P	\$4.08	1/4" Female NPT x 1/4" Male NPT 90° Street Elbow
SE38P	\$4.15	3/8" Female NPT x 3/8" Male NPT 90° Street Elbow
SE12P	\$4.22	1/2" Female NPT x 1/2" Male NPT 90° Street Elbow
SE1234P	\$4.34	3/4" Female NPT x 1/2" Male NPT 90° Street Elbow
SE34P	\$4.82	3/4" Female NPT x 3/4" Male NPT 90° Street Elbow
SE100P	\$6.21	1" Female NPT x 1" Male NPT 90° Street Elbow
SE114P	\$8.54	1-1/4" Female NPT x 1-1/4" Male NPT 90° Street Elbow
SE112P	\$10.45	1-1/2" Female NPT x 1-1/2" Male NPT 90° Street Elbow
SE200P	\$11.10	2" Female NPT x 2" Male NPT 90° Street Elbow
SE300P	\$73.10	3" Female NPT x 3" Male NPT 90° Street Elbow



Reducing Nipple

PART #	PRICE ea.	DESCRIPTION
RN075050	\$3.41	3/4" Male NPT x 1/2" Male NPT
RN100075	\$3.69	1" Male NPT x 3/4" Male NPT
RN150100	\$4.97	1-1/2" Male NPT x 1" Male NPT
RN200150	\$4.10	2" Male NPT x 1-1/2" Male NPT
RN300200	\$17.00	3" Male NPT x 2" Male NPT



Nipple

PART #	PRICE ea.	DESCRIPTION
M1800P	\$0.82	1/8" Male NPT Short Poly Nipple
M1400P	\$0.94	1/4" Male NPT Short Poly Nipple
NEW	NIP038-SH	\$2.11 3/8" Male NPT Short Poly Nipple
NEW	NIP050-SH	\$2.51 1/2" Male NPT Short Poly Nipple
NEW	NIP075-SH	\$2.51 3/4" Male NPT Short Poly Nipple
	M0754P	\$4.16 3/4" Male NPT x 4" Poly Nipple
NEW	NIP100-SH	\$2.70 1" Male NPT Short Poly Nipple
	M1004P	\$4.41 1" Male NPT x 4" Poly Nipple
	M1006P	\$5.48 1" Male NPT x 6" Poly Nipple
NEW	NIP125-SH	\$3.27 1-1/4" Male NPT Short Poly Nipple
	M1254P	\$5.48 1-1/4" Male NPT x 4" Poly Nipple
	M1256P	\$6.39 1-1/4" Male NPT x 6" Poly Nipple
NEW	NIP150-SH	\$5.01 1-1/2" Male NPT Short Poly Nipple
	M1124P	\$9.88 1-1/2" Male NPT x 4" Poly Nipple
	M1126P	\$11.60 1-1/2" Male NPT x 6" Poly Nipple
NEW	NIP200-SH	\$5.67 2" Male NPT Short Poly Nipple
	M2004P	\$11.48 2" Male NPT x 4" Poly Nipple
	M2006P	\$13.41 2" Male NPT x 6" Poly Nipple
NEW	NIP300-SH	\$17.77 3" Male NPT Short Poly Nipple
	M3006P	\$33.08 3" Male NPT x 6" Poly Nipple



Reducer Bushing

PART #	PRICE ea.	SIZE & DESCRIPTION
RB050038	\$3.51	1/2" Male NPT x 3/8" Female NPT
RB075050	\$3.51	3/4" Male NPT x 1/2" Female NPT
RB100075	\$3.72	1" Male NPT x 3/4" Female NPT
RB125100	\$3.72	1-1/4" Male NPT x 1" Female NPT
RB150125	\$4.93	1-1/2" Male NPT x 1-1/4" Female NPT
RB200075	\$5.40	2" Male NPT x 3/4" Female NPT
RB200150	\$5.46	2" Male NPT x 1-1/2" Female NPT
RB300200HD	\$22.31	3" Male NPT x 2" Female NPT



Coupling

PART #	PRICE ea.	DESCRIPTION
CPLG038	\$5.88	3/8" Female NPT x 3/8" Female NPT
CPLG050	\$5.88	1/2" Female NPT x 1/2" Female NPT
CPLG075	\$5.88	3/4" Female NPT x 3/4" Female NPT
CPLG100	\$6.10	1" Female NPT x 1" Female NPT
CPLG125	\$9.88	1-1/4" Female NPT x 1-1/4" Female NPT
CPLG150	\$13.67	1-1/2" Female NPT x 1-1/2" Female NPT
CPLG200	\$15.57	2" Female NPT x 2" Female NPT
CPLG300	\$44.12	3" Female NPT x 3" Female NPT



Tee

PART #	PRICE ea.	DESCRIPTION
TT14P	\$5.01	1/4" Female NPT
TT12P	\$5.16	1/2" Female NPT
TT34P	\$6.41	3/4" Female NPT
TT100P	\$8.42	1" Female NPT
TT114P	\$10.67	1-1/4" Female NPT
TT112P	\$13.12	1-1/2" Female NPT
TT200P	\$17.37	2" Female NPT
TT300P	\$72.96	3" Female NPT



Tee w Gauge Port

PART #	PRICE ea.	DESCRIPTION
TT1214P	\$8.71	1/2" Female NPT x 1/4" Gauge Port
TT3414P	\$11.39	3/4" Female NPT x 1/4" Gauge Port
TT10014P	\$14.05	1" Female NPT x 1/4" Gauge Port



45° Street Elbow

PART #	PRICE ea.	DESCRIPTION
SL15045	\$16.38	1-1/2" Female NPT x 1-1/2" Male NPT
SL20045	\$19.39	2" Female NPT x 2" Male NPT



Pipe Caps

PART #	PRICE ea.	DESCRIPTION
CAP050	\$7.19	1/2" Female NPT Poly Cap
CAP075	\$7.19	3/4" Female NPT Poly Cap
CAP100	\$7.19	1" Female NPT Poly Cap
CAP125	\$8.08	1-1/4" Female NPT Poly Cap
CAP150	\$10.17	1-1/2" Female NPT Poly Cap
CAP200	\$11.80	2" Female NPT Poly Cap
CAP300	\$42.27	3" Female NPT Poly Cap



Plug

PART #	PRICE ea.	DESCRIPTION
PLUG050	\$4.46	1/2" Plug
PLUG075	\$4.46	3/4" Plug
PLUG100	\$4.46	1" Plug
PLUG150	\$5.94	1-1/2" Plug
PLUG200	\$5.94	2" Plug
PLUG300	\$23.38	3" Plug



Steel Plated Straight Adapters

PART #	PRICE ea.	DESCRIPTION
CN050SP	\$5.13	1/2" Male NPT x 1/2" Hose Barb
CN075SP	\$5.76	3/4" Male NPT x 3/4" Hose Barb
CN100SP	\$8.25	1" Male NPT x 1" Hose Barb
CN125SP	\$9.24	1-1/4" Male NPT x 1-1/4" Hose Barb
CN150SP	\$13.50	1-1/2" Male NPT x 1-1/2" Hose Barb
CN200SP	\$17.75	2" Male NPT x 2" Hose Barb



Pin Lug Couplers

- Pin Lug Hose Barb Couplers (Full Sets)
- Aluminum Shank with Brass Swivel Nut

PART #	PRICE ea.	DESCRIPTION
PL150DP	\$28.41	1-1/2" Hose Barbs
PL200DP	\$37.68	2" Hose Barbs
PG150NBR	\$2.08	1-1/2" Gasket
PG200NBR	\$2.08	2" Gasket

FEATURED ITEMS —

Hose Fitting



Pipe Fitting



Garden Hose Fitting



Nozzle Fitting



Fittings

Selection

Hose, pipe, garden hose, nozzle, and heavy duty fittings are available in sizes ranging from 1/8" to 3".

Durability

TerreMax's hose & pipe fittings are utilized for a variety of agricultural, plumbing, and industrial liquid-handling solutions.

Polypropylene

Our resin is a high strength custom blended glass filled polypropylene.

Nylon

TerreMax's hose & pipe fittings are certified by NSF International NSF/ANSI Standard 61 – Drinking Water System Components, Health Effects and NSF/ANSI Standard 372 – Drinking Water System Components, Lead Content.

Experience

We have been manufacturing top quality fittings since 1983.

For additional information, visit our website:
www.TerreMax.us



Straight Adapter

Use in conjunction with a hose clamp and quality thread sealant.



PART #				THREAD	HOSE BARB
NYLON	PRICE ea.	POLY	PRICE ea.	Male NPT x HOSE BARB	
A18316	\$0.82			1/8"	3/16"
A1814	\$0.61	A1814P	\$0.89	1/8"	1/4"
A18516	\$0.84			1/8"	5/16"
A1838	\$0.61	A1838P	\$0.89	1/8"	3/8"
A1812	\$0.69	A1812P	\$0.89	1/8"	1/2"
A1414	\$0.61	A1414P	\$0.86	1/4"	1/4"
A14516	\$1.00			1/4"	5/16"
A1438	\$0.63	A1438P	\$0.88	1/4"	3/8"
A1412	\$0.65	A1412P	\$0.89	1/4"	1/2"
A1458	\$1.19	A1458P	\$1.65	1/4"	5/8"
A1434	\$1.21	A1434P	\$1.69	1/4"	3/4"
A3814	\$0.64	A3814P	\$0.89	3/8"	1/4"
A38516	\$1.18			3/8"	5/16"
A3838	\$0.65	A3838P	\$0.89	3/8"	3/8"
A3812	\$0.65	A3812P	\$0.89	3/8"	1/2"
A3858	\$0.65	A3858P	\$0.89	3/8"	5/8"
A3834	\$0.82	A3834P	\$0.98	3/8"	3/4"
A1214	\$0.70	A1214P	\$0.92	1/2"	1/4"
A1238	\$0.71	A1238P	\$0.93	1/2"	3/8"
A1212	\$0.73	A1212P	\$0.90	1/2"	1/2"
A1258	\$0.77	A1258P	\$0.94	1/2"	5/8"
A1234	\$0.92	A1234P	\$0.98	1/2"	3/4"
A1210	\$1.20	A1210P	\$1.28	1/2"	1"
A12114	\$6.38	A12114P	\$6.96	1/2"	1-1/4"
A3414	\$1.14	A3414P	\$1.13	3/4"	1/4"
A3438	\$0.82	A3438P	\$0.96	3/4"	3/8"
A3412	\$0.83	A3412P	\$0.98	3/4"	1/2"
A3458	\$1.33	A3458P	\$1.33	3/4"	5/8"
A3434	\$0.92	A3434P	\$0.94	3/4"	3/4"
A3410	\$1.14	A3410P	\$1.14	3/4"	1"
A34114	\$2.20	A34114P	\$2.43	3/4"	1-1/4"
A1038	\$1.17	A1038P	\$1.15	1"	3/8"
A1012	\$1.14	A1012P	\$1.14	1"	1/2"
A1058	\$1.15	A1058P	\$1.14	1"	5/8"
A1034	\$1.17	A1034P	\$1.15	1"	3/4"
A1010	\$1.27	A1010P	\$1.28	1"	1"
A1114	\$2.65	A1114P	\$2.83	1"	1-1/4"
A11434	\$3.43	A11434P	\$3.72	1-1/4"	3/4"
A1141	\$2.83	A1141P	\$2.99	1-1/4"	1"
A114	\$2.67	A114P	\$2.89	1-1/4"	1-1/4"
A114112	\$2.94	A114112P	\$3.05	1-1/4"	1-1/2"
A1121	\$3.15	A1121P	\$3.26	1-1/2"	1"
A112	\$2.95	A112P	\$3.13	1-1/2"	1-1/2"
A112114	\$3.09	A112114P	\$3.19	1-1/2"	1-1/4"
A112200	\$9.20	A112200P	\$9.88	1-1/2"	2"
A200112	\$7.79	A200112P	\$8.10	2"	1-1/2"
A200	\$3.99	A200P	\$3.95	2"	2"

90 Degree Elbow

Use in conjunction with a hose clamp and quality thread sealant.

PART #				THREAD	HOSE BARB
NYLON	PRICE ea.	POLY	PRICE ea.	Male NPT x	HOSE BARB
EL18316	\$1.68			1/8"	3/16"
EL1814	\$0.82	EL1814P	\$0.88	1/8"	1/4"
EL1838	\$1.81			1/8"	3/8"
EL1414	\$0.77	EL1414P	\$0.86	1/4"	1/4"
EL14516	\$1.73			1/4"	5/16"
EL1438	\$0.79	EL1438P	\$0.89	1/4"	3/8"
EL1412	\$0.90	EL1412P	\$0.92	1/4"	1/2"
EL1458	\$1.14	EL1458P	\$1.13	1/4"	5/8"
EL3814	\$0.94	EL3814P	\$0.94	3/8"	1/4"
EL38516	\$1.89			3/8"	5/16"
EL3838	\$1.00	EL3838P	\$0.99	3/8"	3/8"
EL3812	\$1.00	EL3812P	\$0.99	3/8"	1/2"
EL3858	\$1.05	EL3858P	\$1.05	3/8"	5/8"
EL1214	\$1.99	EL1214P	\$2.11	1/2"	1/4"
EL1238	\$1.05	EL1238P	\$1.05	1/2"	3/8"
EL1212	\$1.06	EL1212P	\$1.06	1/2"	1/2"
EL1258	\$1.31	EL1258P	\$1.30	1/2"	5/8"
EL1234	\$1.39	EL1234P	\$1.39	1/2"	3/4"
EL3414	\$2.21	EL3414P	\$2.20	3/4"	1/4"
EL3438	\$1.20	EL3438P	\$1.20	3/4"	3/8"
EL3412	\$1.26	EL3412P	\$1.26	3/4"	1/2"
EL3458	\$1.33	EL3458P	\$1.33	3/4"	5/8"
EL3434	\$1.44	EL3434P	\$1.44	3/4"	3/4"
EL3410	\$1.49	EL3410P	\$1.49	3/4"	1"
EL1038	\$1.43	EL1038P	\$1.42	1"	3/8"
EL1012	\$1.43	EL1012P	\$1.42	1"	1/2"
EL1058	\$1.51	EL1058P	\$1.51	1"	5/8"
EL1034	\$1.59	EL1034P	\$1.59	1"	3/4"
EL1010	\$1.75	EL1010P	\$1.74	1"	1"
EL1114	\$3.77	EL1114P	\$3.80	1"	1-1/4"
EL11434	\$3.51	EL11434P	\$3.49	1-1/4"	3/4"
EL1141	\$3.00	EL1141P	\$3.13	1-1/4"	1"
EL114	\$3.22	EL114P	\$3.26	1-1/4"	1-1/4"
EL112	\$4.15	EL112P	\$4.10	1-1/2"	1-1/2"
EL200	\$5.47	EL200P	\$5.44	2"	2"



90 Degree Elbow

Use in conjunction with a hose clamp and quality thread sealant.

PART #				THREAD	HOSE BARB
NYLON	PRICE ea.	POLY	PRICE ea.	Female NPT x	HOSE BARB
EL1212F	\$1.63	EL1212FP	\$1.49	1/2"	1/2"
EL3412F	\$1.70	EL3412FP	\$1.82	3/4"	1/2"
EL3434F	\$2.07	EL3434FP	\$2.21	3/4"	3/4"





Straight Hose Mender

Used in fluid plumbing applications requiring the connection of two hoses. Commonly called a hose splice fitting or a shim fitting.

PART #				BARB 1	BARB 2
NYLON	PRICE ea.	POLY	PRICE ea.	HOSE BARB x	HOSE BARB
SHM1800	\$0.68	SHM1800P	\$0.82	1/8"	1/8"
SHM3160	\$0.69	SHM3160P	\$0.84	3/16"	3/16"
SHM1418	\$0.90			1/4"	1/8"
SHM14316	\$0.90			1/4"	3/16"
SHM1400	\$0.58	SHM1400P	\$0.84	1/4"	1/4"
SHM5160	\$0.76	SHM5160P	\$0.84	5/16"	5/16"
SHM3800	\$0.65	SHM3800P	\$0.86	3/8"	3/8"
SHM3814	\$0.82	SHM3814P	\$1.24	3/8"	1/4"
SHM1214	\$0.92	SHM1214P	\$0.94	1/2"	1/4"
SHM1200	\$0.83	SHM1200P	\$0.89	1/2"	1/2"
SHM1238	\$0.69	SHM1238P	\$0.88	1/2"	3/8"
SHM1258	\$0.94	SHM1258P	\$0.94	1/2"	5/8"
SHM5800	\$0.94	SHM5800P	\$0.94	5/8"	5/8"
SHM3412	\$2.43			3/4"	1/2"
SHM3400	\$1.05	SHM3400P	\$1.05	3/4"	3/4"
SHM1000	\$1.24	SHM1000P	\$1.25	1"	1"
SHM114	\$2.03	SHM114P	\$2.45	1-1/4"	1-1/4"
SHM112	\$4.22	SHM112P	\$4.26	1-1/2"	1-1/2"
SHM200	\$8.28	SHM200P	\$8.76	2"	2"



Tee Adapter

Used in fluid plumbing applications requiring a connection of two hoses to a Female NPT fitting and a hose.

PART #				THREAD	HOSE BARB
NYLON	PRICE ea.	POLY	PRICE ea.	Male NPT x	HOSE BARB
MT1234	\$1.76	MT1234P	\$2.31	1/2"	3/4"
MT3438	\$1.64	MT3438P	\$2.20	3/4"	3/8"
MT3412	\$1.73	MT3412P	\$2.27	3/4"	1/2"
MT3434	\$1.88	MT3434P	\$2.42	3/4"	3/4"
MT1012	\$1.86	MT1012P	\$2.40	1"	1/2"
MT1034	\$2.02	MT1034P	\$2.56	1"	3/4"



Elbow Barb

Use in conjunction with a hose clamp.

PART #				BARB 1	BARB 2
NYLON	PRICE ea.	POLY	PRICE ea.	HOSE BARB x 90 DEGREE	HOSE BARB
EB1414	\$1.46	EB1414P	\$1.83	1/4"	1/4"
EB3838	\$1.31	EB3838P	\$1.31	3/8"	3/8"
EB1212	\$0.94	EB1212P	\$0.95	1/2"	1/2"
EB5858	\$1.51	EB5858P	\$1.50	5/8"	5/8"
EB3434	\$1.21	EB3434P	\$1.31	3/4"	3/4"
EB1034	\$3.43	EB1034P	\$3.49	1"	3/4"
EB1010	\$3.44	EB1010P	\$3.51	1"	1"
EB114	\$4.89	EB114P	\$5.19	1-1/4"	1-1/4"
EB112	\$5.04	EB112P	\$5.19	1-1/2"	1-1/2"
EB200	\$9.71	EB200P	\$9.66	2"	2"



Insert Tee

Use in conjunction with a hose clamp.

PART #				BARB 1	BARB 2	BARB 3
NYLON	PRICE ea.	POLY	PRICE ea.			
T18	\$1.57	T18P	\$1.65	1/8"	1/8"	1/8"
T3160	\$1.75			3/16"	3/16"	3/16"
T14	\$1.18	T14P	\$1.67	1/4"	1/4"	1/4"
T38	\$1.23	T38P	\$1.71	3/8"	3/8"	3/8"
T3812	\$1.28	T3812P	\$1.75	1/2"	1/2"	3/8"
T12	\$1.27	T12P	\$1.71	1/2"	1/2"	1/2"
T58	\$1.36	T58P	\$1.80	5/8"	5/8"	5/8"
T3412	\$1.36	T3412P	\$1.80	1/2"	1/2"	3/4"
T34	\$1.61	T34P	\$1.80	3/4"	3/4"	3/4"
T100	\$2.81	T100P	\$2.80	1"	1"	1"
T114	\$4.10	T114P	\$4.09	1-1/4"	1-1/4"	1-1/4"
T112	\$4.85	T112P	\$4.90	1-1/2"	1-1/2"	1-1/2"
T200	\$11.26	T200P	\$11.18	2"	2"	2"



Straight Adapter

Used in fluid plumbing applications requiring straight connection to a Male fitting and a hose.

PART #				THREAD	HOSE BARB
NYLON	PRICE ea.	POLY	PRICE ea.	Female NPT x HOSE BARB	
AF1414	\$4.99			1/4"	1/4"
AF1438	\$4.50			1/4"	3/8"
AF3838	\$5.15	AF3838P	\$5.43	3/8"	3/8"
AF3812	\$4.49	AF3812P	\$4.81	3/8"	1/2"
AF1212	\$1.57	AF1212P	\$1.69	1/2"	1/2"
AF1238	\$1.57	AF1238P	\$1.69	1/2"	3/8"
		AF1234P	\$4.35	1/2"	3/4"
AF3412	\$5.29	AF3412P	\$5.22	3/4"	1/2"
AF3458	\$1.67	AF3458P	\$1.74	3/4"	5/8"
AF3434	\$1.67	AF3434P	\$1.74	3/4"	3/4"



Cross Barb

Used in fluid applications requiring the connection of four hoses. Commonly called a junction fitting.

PART #				HOSE BARB
NYLON	PRICE ea.	POLY	PRICE ea.	
X14	\$1.31	X14P	\$1.44	1/4"



Flat Seat Hose Barb

Used with swivel nut B3400 and washer W406 shown in this catalog. Combining the three pieces allows for a swivel connection of common size hoses.

PART #				HOSE BARB
NYLON	PRICE ea.	POLY	PRICE ea.	BARB x FLAT SEAT
C1800	\$0.84	C1800P	\$0.89	1/8"
C1400	\$0.64	C1400P	\$0.88	1/4"
C3800	\$0.63	C3800P	\$0.89	3/8"
C1200	\$0.64	C1200P	\$0.89	1/2"
C5800	\$0.63	C5800P	\$0.89	5/8"
C3400	\$0.64	C3400P	\$0.90	3/4"





Reducer Bushing

Used in fluid plumbing applications to connect a Female NPT thread to a reduced size of a Male NPT fitting.

PART #				THREAD	
NYLON	PRICE ea.	POLY	PRICE ea.	Male NPT x	Female NPT
RB1418	\$1.14	RB1418P	\$1.28	1/4"	1/8"
RB3818	\$1.18	RB3818P	\$1.31	3/8"	1/8"
RB3814	\$1.15	RB3814P	\$1.28	3/8"	1/4"
RB1218	\$1.77	RB1218P	\$1.84	1/2"	1/8"
RB1214	\$1.21	RB1214P	\$1.33	1/2"	1/4"
RB1238	\$1.19	RB1238P	\$1.33	1/2"	3/8"
RB3418	\$1.31	RB3418P	\$1.43	3/4"	1/8"
RB3414	\$1.57	RB3414P	\$1.70	3/4"	1/4"
RB3438	\$1.67	RB3438P	\$1.67	3/4"	3/8"
RB3412	\$1.23	RB3412P	\$1.42	3/4"	1/2"
RB1012	\$2.20	RB1012P	\$2.19	1"	1/2"
RB1034	\$1.51	RB1034P	\$1.51	1"	3/4"
RB11434	\$2.71	RB11434P	\$2.89	1-1/4"	3/4"
RB1141	\$2.59	RB1141P	\$2.80	1-1/4"	1"
RB11234	\$2.99	RB11234P	\$3.09	1-1/2"	3/4"
RB1121	\$2.94	RB1121P	\$3.05	1-1/2"	1"
RB112114	\$2.61	RB112114P	\$3.57	1-1/2"	1-1/4"
RB2001	\$5.22	RB2001P	\$5.20	2"	1"
RB200114	\$3.99	RB200114P	\$3.95	2"	1-1/4"
RB200112	\$3.58	RB200112P	\$3.57	2"	1-1/2"
RB300200	\$6.41	RB300200P	\$8.88	3"	2"



Elbow

Used in fluid plumbing applications to connect to Male NPT fittings at 90 degrees.

PART #				THREAD	
NYLON	PRICE ea.	POLY	PRICE ea.	Female NPT x 90 DEGREE	Female NPT
ELF12	\$3.58	ELF12P	\$3.95		1/2"
ELF34	\$4.08	ELF34P	\$4.43		3/4"
ELF100	\$5.79	ELF100P	\$5.98		1"
ELF114	\$7.85	ELF114P	\$8.22		1-1/4"
ELF112	\$9.34	ELF112P	\$10.37		1-1/2"
ELF200	\$13.71	ELF200P	\$13.94		2"



Coupling

Used in fluid plumbing applications to connect two Male NPT fittings.

PART #				THREAD	
NYLON	PRICE ea.	POLY	PRICE ea.	Female NPT	
FTC14	\$5.47	FTC14P	\$5.66	1/4"	
FTC38	\$5.47	CPLG038	\$5.88	3/8"	
FTC12	\$3.80	CPLG050	\$5.88	1/2"	
FTC34	\$4.60	CPLG075	\$5.88	3/4"	
FTC100	\$5.23	CPLG100	\$6.10	1"	
FTC114	\$7.38	CPLG125	\$9.88	1-1/4"	
FTC112	\$8.79	CPLG150	\$13.67	1-1/2"	
FTC200	\$12.97	CPLG200	\$15.57	2"	



Plug

Use in conjunction with a quality thread sealant.

PART #				THREAD
NYLON	PRICE ea.	POLY	PRICE ea.	Male NPT x HEX
F1800	\$0.75	F1800P	\$0.82	1/8"
F1400	\$0.82	F1400P	\$0.82	1/4"
F3800	\$0.86	F3800P	\$0.88	3/8"
F1200	\$0.88	F1200P	\$0.89	1/2"
F3400	\$0.93	F3400P	\$0.94	3/4"
F1000	\$0.95	F1000P	\$1.00	1"
F1014	\$1.43	F1014P	\$1.53	1-1/4"
F112	\$3.95	F112P	\$4.03	1-1/2"
F200	\$4.81			2"



Nipple

Used in fluid plumbing application to connect two Female NPT fittings.

PART #				THREAD
NYLON	PRICE ea.	POLY	PRICE ea.	Male NPT x Male NPT
M1800	\$0.75	M1800P	\$0.82	1/8"
M1400	\$0.82	M1400P	\$0.94	1/4"
M3800	\$0.86	M3800P	\$0.98	3/8"
M1200	\$0.89	M1200P	\$1.00	1/2"
M3400	\$0.95	M3400P	\$1.14	3/4"
M1000	\$1.51	M1000P	\$1.68	1"
M1140	\$2.81	M1140P	\$2.86	1-1/4"
M1120	\$3.41	M1120P	\$3.75	1-1/2"
M2000	\$4.91	M2000P	\$5.45	2"



Reducing Nipple

Used in fluid plumbing application to connect two Female NPT fittings.

PART #				THREAD	
NYLON	PRICE ea.	POLY	PRICE ea.	Male NPT x Male NPT	
RM1438	\$0.88	RM1438P	\$0.88	1/4"	3/8"
RM3818	\$1.02			3/8"	1/8"
RM3812	\$0.93	RM3812P	\$0.93	3/8"	1/2"
RM38116	\$0.93	RM38116P	\$0.93	3/8"	11/16" UN
RM12116	\$0.93	RM12116P	\$0.93	1/2"	11/16" UN
RM1214	\$0.88	RM1214P	\$0.92	1/2"	1/4"
RM3438	\$0.90	RM3438P	\$0.94	3/4"	3/8"
RM3412	\$0.93	RM3412P	\$0.96	3/4"	1/2"
RM34116	\$0.99	RM34116P	\$1.04	3/4"	11/16" UN
RM1141	\$2.21	RM1141P	\$2.89	1-1/4"	1"



Tee

Used in fluid plumbing applications requiring the connection of three fittings or pipes all having Male NPT threads.

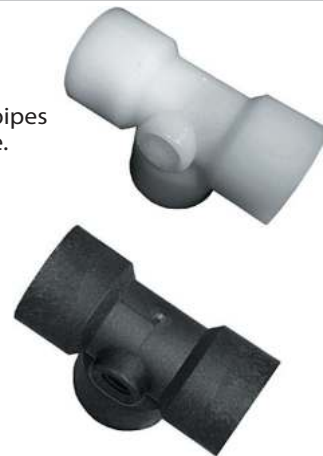
PART #				THREAD	
NYLON	PRICE ea.	POLY	PRICE ea.	Female NPT	
TT14	\$4.81	TT14P	\$5.01	1/4"	
TT12	\$4.57	TT12P	\$5.16	1/2"	
TT34	\$6.38	TT34P	\$6.41	3/4"	
TT100	\$8.10	TT100P	\$8.42	1"	
TT114	\$10.40	TT114P	\$10.67	1-1/4"	
TT112	\$12.52	TT112P	\$13.12	1-1/2"	
TT200	\$17.12	TT200P	\$17.37	2"	
		TT300P	\$72.96	3"	



Tee with Gauge Port

Used in fluid plumbing applications requiring the connection of three fittings or pipes all having Male NPT threads. Special port extends from center of body for a gauge.

PART #				THREAD	PORT
NYLON	PRICE ea.	POLY	PRICE ea.	Female NPT	
TT1214	\$8.19	TT1214P	\$8.71	1/2"	1/4"
TT3418	\$10.92	TT3418P	\$11.39	3/4"	1/8"
TT3414	\$10.92	TT3414P	\$11.39	3/4"	1/4"
TT10014	\$13.65	TT10014P	\$14.05	1"	1/4"
TT11414	\$14.32			1-1/4"	1/4"
TT11214	\$14.67			1-1/2"	1/4"



Street Elbow

Used in fluid plumbing applications to connect a Female NPT fitting and a Male NPT at 90 degrees. This fitting is very useful when working space is a minimal.

PART #				THREAD	THREAD
NYLON	PRICE ea.	POLY	PRICE ea.	Male NPT x 90 Degree	Female NPT
SE14	\$3.85	SE14P	\$4.08	1/4"	1/4"
SE38	\$3.94	SE38P	\$4.15	3/8"	3/8"
SE12	\$4.00	SE12P	\$4.22	1/2"	1/2"
SE1234	\$4.16	SE1234P	\$4.34	1/2"	3/4"
SE34	\$4.64	SE34P	\$4.82	3/4"	3/4"
SE100	\$6.09	SE100P	\$6.21	1"	1"
SE114	\$8.38	SE114P	\$8.54	1-1/4"	1-1/4"
SE112	\$10.30	SE112P	\$10.45	1-1/2"	1-1/2"
SE200	\$10.98	SE200P	\$11.10	2"	2"



Adapter

Garden Hose fitting used to connect a Female GHT fitting to a Male NPT fitting.

PART #				THREAD	THREAD
NYLON	PRICE ea.	POLY	PRICE ea.	3/4" Male GHT x Female NPT	
G3412	\$2.50	G3412P	\$2.74	3/4"	1/2"
G3434	\$2.47	G3434P	\$2.70	3/4"	3/4"



Adapter

Garden Hose fitting used to connect a Female NPT fitting to a Male GHT fitting.

PART #				THREAD	THREAD
NYLON	PRICE ea.	POLY	PRICE ea.	Male NPT x 3/4" Female GHT	
H3434	\$2.45	H3434P	\$2.68	3/4"	3/4"



Adapter

Garden Hose fitting used to connect two female fittings.

PART #				THREAD	THREAD
NYLON	PRICE ea.	POLY	PRICE ea.	Male GHT x Male NPT	
E3412	\$0.93	E3412P	\$0.96	3/4"	1/2"
E3438	\$1.67	E3438P	\$1.82	3/4"	3/8"
E3434	\$0.92	E3434P	\$1.13	3/4"	3/4"
EE3434	\$1.20	EE3434P	\$1.24	3/4"	3/4" Male GHT



Adapter

Garden Hose fitting used to connect a Female GHT to a Male GHT fitting. Female GHT requires a W 406 washer.

PART #				THREAD	THREAD
NYLON	PRICE ea.	POLY	PRICE ea.	3/4" Male GHT x 3/4" Female GHT	
I3434	\$2.42	I3434P	\$2.67	3/4"	3/4"



Coupling

Garden Hose fitting used to connect a Male GHT to a Male NPT fitting. Female GHT requires a W 406 washer.

PART #				THREAD	THREAD
NYLON	PRICE ea.	POLY	PRICE ea.	3/4" Female GHT x Female NPT	
J3412	\$2.49	J3412P	\$2.72	3/4"	1/2"





Cap

Female thread x Closed end. Requires W 406 washer.

PART #				THREAD
NYLON	PRICE ea.	POLY	PRICE ea.	Female GHT & Female NPS
N3400	\$1.00	N3400P	\$1.00	3/4" Female GHT
N3400F	\$1.00	N3400FP	\$1.00	3/4" Female NPS



Plug

Garden Hose fitting used to plug off a Female GHT fitting.

PART #				THREAD
NYLON	PRICE ea.	POLY	PRICE ea.	3/4" Male GHT x HEX
F3400GHT	\$0.79	F3400GHTP	\$0.94	3/4"



Tee Adapter

Garden Hose fitting used to connect 3/4" Female GHT fitting to two hoses.

PART #				THREAD	HOSE BARB
NYLON	PRICE ea.	POLY	PRICE ea.	Male GHT x HOSE BARB	
MT3438G	\$1.63	MT3438GP	\$2.19	3/4"	3/8"
MT3412G	\$1.73	MT3412GP	\$2.27	3/4"	1/2"
MT3434G	\$1.88	MT3434GP	\$2.42	3/4"	3/4"



Adapter

Garden Hose fitting used to connect 3/4" Female GHT fitting to a hose.

PART #				THREAD	HOSE BARB
NYLON	PRICE ea.	POLY	PRICE ea.	3/4" Male GHT x Hose Barb	
D3414	\$0.88	D3414P	\$0.96	3/4"	1/4"
D3438	\$0.90	D3438P	\$0.96	3/4"	3/8"
D3412	\$0.92	D3412P	\$1.04	3/4"	1/2"
D3458	\$0.94	D3458P	\$1.04	3/4"	5/8"
D3434	\$1.02	D3434P	\$1.01	3/4"	3/4"
D3410	\$1.14	D3410P	\$1.13	3/4"	1"



Elbow

Garden Hose fitting used to connect 3/4" Female GHT to a hose at 90 degrees.

PART #				THREAD	HOSE BARB
NYLON	PRICE ea.	POLY	PRICE ea.	3/4" Male GHT x 90 degree	
EL3438G	\$1.20	EL3438GP	\$1.20	3/4"	3/8"
EL3412G	\$1.20	EL3412GP	\$1.19	3/4"	1/2"
EL3458G	\$1.33	EL3458GP	\$1.33	3/4"	5/8"
EL3434G	\$1.39	EL3434GP	\$1.39	3/4"	3/4"
EL3410G	\$1.43	EL3410GP	\$1.42	3/4"	1"



Reducing Nipple

Garden Hose fitting used to connect two Female PT fittings.

PART #				THREAD	
NYLON	PRICE ea.	POLY	PRICE ea.	MALE GHT X MALE	
RM34116G	\$1.05	RM34116GP	\$1.05	3/4"	11/16" UN



Swivel Nut

Garden Hose fitting used to connect a hose using a C series fitting with a washer.

PART #				THREAD	
NYLON	PRICE ea.	POLY	PRICE ea.	3/4" Female GHT	
B3400	\$0.70	B3400P	\$0.92	3/4" Female GHT	
B3400F	\$0.74	B3400FP	\$0.92	3/4" Female NPS	



Washers

Vinyl Garden Hose washer. Used with all 3/4" Female GHT fittings in this catalog.

PART #	PRICE ea.	DESCRIPTION
W406	\$0.17	Vinyl Garden Hose Washer
W40650S	\$1.43	Vinyl Garden Hose Washer with 50 mesh screen



3-Piece Barb Assembly

Garden Hose fitting with swivel connection. Used to connect 3/4" Female GHT to a hose. Washer is vinyl in both nylon and poly assemblies.

PART #				SWIVEL	HOSE BARB	WASHER
NYLON	PRICE ea.	POLY	PRICE ea.			
B3414W	\$1.98	B3414WP	\$2.01	B3400	1/4"	W 406
B3438W	\$1.96	B3438WP	\$2.02	B3400	3/8"	W 406
B3412W	\$1.98	B3412WP	\$2.42	B3400	1/2"	W 406
B3458W	\$1.96	B3458WP	\$2.39	B3400	5/8"	W 406
B3434W	\$1.98	B3434WP	\$2.42	B3400	3/4"	W 406



Garden Hose Shutoff Valves

Single and double garden hose valves with 3/4" GHT. 100 PSI maximum operating pressure. ABS construction.

PART #	PRICE ea.	DESCRIPTION
G3434V	\$8.33	3/4" Female GHT (inlet) x 3/4" Male GHT (1 outlet)
G3434YV	\$11.56	3/4" Female GHT (inlet) x 3/4" Male GHT (2 outlets)





Hex Nut

Used to lock nozzle fitting in this catalog to Boom Clamp fittings.

PART #				THREAD
NYLON	PRICE ea.	POLY	PRICE ea.	
N1116	\$0.42	N1116P	\$0.57	11/16" Female UN



Straight Adapter

Thread 11/16" male UN x hose barb, nut included. Used on the terminating ends of spray boom or a boom using a manifold.

PART #				HOSE BARB SIZE
NYLON	PRICE ea.	POLY	PRICE ea.	
3838D	\$1.20	3838DP	\$1.20	3/8"
3812D	\$1.24	3812DP	\$1.25	1/2"
3834D	\$1.52	3834DP	\$1.52	3/4"



Elbow

Thread 11/16" male UN x hose barb, nut included. Used on the terminating ends of spray boom.

PART #				HOSE BARB SIZE
NYLON	PRICE ea.	POLY	PRICE ea.	
NTL38	\$1.57	NTL38P	\$1.57	3/8"
NTL12	\$1.65	NTL12P	\$1.65	1/2"
NTL34	\$1.73	NTL34P	\$1.71	3/4"



Cross

Thread 11/16" male UN x hose barb, nut included. Used in the center of boom sections as a main feed line.

PART #				HOSE BARB SIZE
NYLON	PRICE ea.	POLY	PRICE ea.	
T38C	\$1.46	T38CP	\$1.76	3/8"
T12C	\$1.73	T12CP	\$1.82	1/2"
T34C	\$1.82	T34CP	\$1.94	3/4"



Tee

Thread 11/16" male UN x hose barb, nut included. Used between the main feed lines and termination end of boom sections.

PART #				HOSE BARB SIZE
NYLON	PRICE ea.	POLY	PRICE ea.	
NTT38	\$1.71	NTT38P	\$1.71	3/8"
NTT12	\$1.75	NTT12P	\$1.74	1/2"
NTT34	\$2.11	NTT34P	\$2.09	3/4"



Spray Tip Blank

Blanks for Boom Drops, used when changing row spacing.

PART #				THREAD
NYLON	PRICE ea.	POLY	PRICE ea.	
8028	\$0.55	8028P	\$0.59	11/16" Female UN



Male Adapter

Allows 1/4" female boom drops to be converted to accept 11/16" UN swivel cap.

PART #				THREAD
NYLON	PRICE ea.	POLY	PRICE ea.	
NB164	\$0.75	NB164P	\$0.88	11/16" Male UN x 1/4" Male NPT
NB168	\$0.79			11/16" Male UN x 1/8" Male NPT



Boom Clamp

Boom Clamps fit all nozzle thread fittings in this catalog.

PART #				SIZE
NYLON	PRICE ea.	POLY	PRICE ea.	
B111	\$2.07	B111P	\$2.27	Fits 1" Round or Square Tubing
B11114	\$2.21	B11114P	\$2.43	Fits 1 1/4" Round or Square Tubing



Female Adapter

Allows 11/16" UN nozzle fittings in this catalog to be converted to accept 1/4" Male NPT flood tips.

PART #				THREAD
NYLON	PRICE ea.	POLY	PRICE ea.	
1116A	\$1.38	1116AP	\$1.38	11/16" Female UN x 1/4" Female NPT



Swivel Nut

For use with Male Adapter and all nozzle fittings in this catalog. Fastens spray tips to nozzle fittings.

PART #				THREAD
NYLON	PRICE ea.	POLY	PRICE ea.	
8027	\$0.54	8027P	\$0.59	11/16" Female UN
8027W	\$0.79	8027WP	\$0.80	



Metering Barb

Used to run a line from spray boom to a gauge for monitoring boom pressure. Connects to Male Adapter and all nozzle fittings in this catalog with a 8027 swivel nut.

PART #				BARB SIZE
NYLON	PRICE ea.	POLY	PRICE ea.	
K8414	\$0.59	K8414P	\$0.59	1/4"
K8438	\$0.64	K8438P	\$0.64	3/8"
K8412	\$0.68	K8412P	\$0.68	1/2"





Pressure Gauges

Standard Gauge

PART #	PRICE ea.	DESCRIPTION
SG060	\$10.65	2" Gauge, 60 PSI
SG100	\$10.65	2" Gauge, 100 PSI
SG200	\$10.65	2" Gauge, 200 PSI
SG400	\$10.65	2" Gauge, 400 PSI
SG1004	\$28.61	4" Gauge, 100 PSI

Liquid Gauge

PART #	PRICE ea.	DESCRIPTION
LG100	\$21.83	2-1/2" Liquid Filled, 100 PSI
LG200	\$21.83	2-1/2" Liquid Filled, 200 PSI

Ammonia Gauge

PART #	PRICE ea.	DESCRIPTION
AG060	\$22.39	2-1/2" Ammonia, 60 PSI



Steel Boom Clamps

Standard Clamps-Round

PART #	PRICE ea.	DESCRIPTION
B1134R	\$5.20	3/4"
B111R	\$5.20	1"

Standard Clamps-Square

PART #	PRICE ea.	DESCRIPTION
B111SQ	\$5.20	1"
B11114SQ	\$5.20	1-1/4"

Quick Clamps-Round

PART #	PRICE ea.	DESCRIPTION
BQ1134R	\$7.29	3/4"
BQ111R	\$7.29	1"
BQ11114R	\$7.29	1-1/4"

Quick Clamps-Square

PART #	PRICE ea.	DESCRIPTION
BQ1134SQ	\$7.29	3/4"
BQ111SQ	\$7.29	1"
BQ11114SQ	\$7.51	1-1/4"
BQ11112SQ	\$7.29	1-1/2"

BOOM COMPONENTS

DESCRIPTION	PART #	PRICE ea.	
Quick fit adapter, 1/4", nylon, QD adapter	Y8230021	\$5.33	1/4"



DESCRIPTION	PART #	PRICE ea.	
Dry boom nozzle body, 3/8", elbow barb	Y8231001	\$5.94	3/8"
Dry boom nozzle body, 1/2", elbow barb	Y8231003	\$5.94	1/2"
Dry boom nozzle body, 3/4", elbow barb	Y8231005	\$5.94	3/4"



DESCRIPTION	PART #	PRICE ea.	
Dry boom nozzle body, 3/8", tee barb	Y8231007	\$5.94	3/8"
Dry boom nozzle body, 1/2", tee barb	Y8231009	\$5.94	1/2"
Dry boom nozzle body, 3/4", tee barb	Y8231011	\$5.94	3/4"



DESCRIPTION	PART #	PRICE ea.	
Dry boom nozzle body, 3/8", cross barb	Y8231013	\$5.94	3/8"
Dry boom nozzle body, 1/2", cross barb	Y8231015	\$5.94	1/2"
Dry boom nozzle body, 3/4", cross barb	Y8231017	\$5.94	3/4"



DESCRIPTION	PART #	PRICE ea.	
Dry boom nozzle body, 3/8", elbow, top diaphragm	Y8235019	\$13.50	3/8"
Dry boom nozzle body, 1/2", elbow, top diaphragm	Y8235021	\$13.50	1/2"
Dry boom nozzle body, 3/4", elbow, top diaphragm	Y8235023	\$13.50	3/4"



DESCRIPTION	PART #	PRICE ea.	
Dry boom nozzle body, 3/8", tee, top diaphragm	Y8235025	\$13.50	3/8"
Dry boom nozzle body, 1/2", tee, top diaphragm	Y8235027	\$13.50	1/2"
Dry boom nozzle body, 3/4", tee, top diaphragm	Y8235029	\$13.50	3/4"



DESCRIPTION	PART #	PRICE ea.	
Dry boom nozzle body, 3/8", cross barb, side diaphragm	Y8235013	\$13.29	3/8"
Dry boom nozzle body, 1/2", cross barb, side diaphragm	Y8235015	\$16.09	1/2"



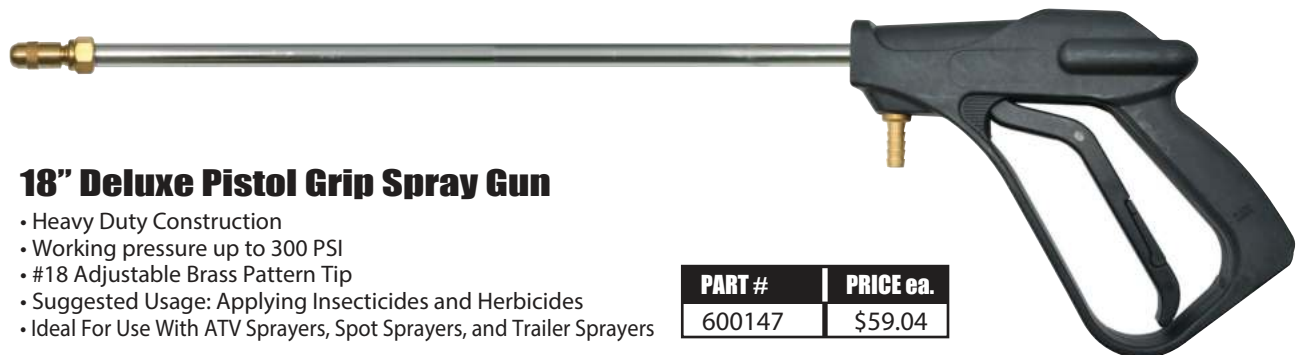
Winged Bayonet Caps

DESCRIPTION	PART #	PRICE ea.	
Winged bayonet caps, ID, IS, DF, FL, 10 mm across flats	Y8253049	\$1.92	black
Winged bayonet caps, TR, ITR, poly FT, round	Y8253050	\$1.92	black
Winged bayonet caps, poly FT self aligning	Y8253051	\$1.92	black
Winged bayonet caps, closed	Y8253040	\$1.92	black
Winged bayonet caps, 8 mm/10 mm Universal	Y8253080	\$1.92	black
Replacement W B Cap gaskets	YG00002020	\$0.82	black



Spray Tip Filters

DESCRIPTION	PART #	PRICE ea.	
Nozzle filters, poly, stainless screen, 50 mesh	Y8139002	\$1.98	blue
Nozzle filters, poly, stainless screen, 100 mesh	Y8139003	\$1.98	green
Nozzle filters, poly, 50 mesh, stainless screen, w/ check valve	Y8139004	\$2.30	blue
Nozzle filters, poly, 100 mesh, stainless screen, w/ check valve	Y8139005	\$2.30	green
Nozzle filters, brass, 50 mesh, stainless screen, w/ check valve	Y8139009	\$8.00	brass
Nozzle filters, brass, 100 mesh, stainless screen, w/ check valve	Y8139010	\$8.00	brass
Nozzle filters, brass, stainless screen, 50 mesh	Y8139011	\$7.03	brass
Nozzle filters, brass, stainless screen, 100 mesh	Y8139012	\$7.03	brass



18" Deluxe Pistol Grip Spray Gun

- Heavy Duty Construction
- Working pressure up to 300 PSI
- #18 Adjustable Brass Pattern Tip
- Suggested Usage: Applying Insecticides and Herbicides
- Ideal For Use With ATV Sprayers, Spot Sprayers, and Trailer Sprayers

PART #	PRICE ea.
600147	\$59.04



Spot Spray Gun

- Spray Gun with #18 orifice
- 18" overall length
- 3/8" hose barb connection
- Filter in handle
- Working pressure 200 PSI

PART #	PRICE ea.
600227	\$18.48

2-Way Solenoid Valves

Large Solenoid Valve

12-Volt DC Electric Boom Shutoff Valves have a 3/4" NPT Female inlet, 3/4" NPT male bypass outlet and a 1/2" NPT female boom outlet.

This direct operating valve is designed for 100 PSI maximum operating pressure and 10GPM. (only 5 PSI pressure is lost @ 10 GPM)

- Draws 2 amps per valve at 12 volts.
- Viton seals and o-rings.
- Wetted parts are made of 430 SS and glass filled nylon.

PART #	PRICE ea.	DESCRIPTION
2500B1	\$259.93	Solenoid Shutoff Valve, Single
2352	\$63.03	Repair Kit for 2500B-1 Solenoid Valve



2500B1

Manual Valve

2750 Manual Valve

This manual valve has a 3/4" NPT male and female inlet and bypass and a 1/2" NPT female boom outlet.

- 0-10 GPM, 175 PSI
- Viton Seals and o-rings.
- Wetted parts are made of 302 SS and glass filled nylon.

**The 2750 is a manual valve with a 1/4" NPT pump pressure point that needs to be drilled to function.*

PART #	PRICE ea.	DESCRIPTION
2750	\$151.79	Manual Shutoff Valve



2750

Wiring Harnesses

- 96" wiring harness with on/off switch & 2-pin connector
- 12 volt

PART #	PRICE ea.	DESCRIPTION
WH101CA	\$14.06	12V with car adapter connection 7 amp tube fuse — 20 gauge wire
WH102BC	\$14.06	12V with 15 amp battery clips no fuse — 20 gauge wire
WH104	\$30.27	12V with car adapter & 15 amp battery clip 7 amp blade fuse — 18 gauge wire
WH105	\$34.13	12V with car adapter & 15 amp battery clip 15 amp mini blade fuse — 16 gauge wire
WH96EX	\$20.01	12V - 96" Wiring Harness Extension 18 gauge wire



WH101CA



WH102BC



String Wing

- Wick arrangement gives a double wipe which means an even application rate and a better kill.
- 5' sections help reduce wicks from drying out when applying on uneven ground where the wick bar is constantly tilted.
- Build any length applicator you want with the "String Wing"; the convenient 5' sections allow you to build 10', 15', 20', etc. sections.
- The special design of alternating wicks on the end cap means when you put "String Wings" end to end, you get full swath coverage; (No spots missed).
- Each "String Wing" has its own 1 1/4" fill opening and a breather to prevent vapor locking or pressure surges due to weather temperatures.

PART #	PRICE ea.
SW	\$286.87

**Use with Your
Choice of Herbicide
& Wick Away
Unwanted Weeds**



Bucket Mount

PART #	PRICE ea.
SWBM	\$195.78



**Easily Mounts
String Wing
to the Front
of Any ATV**

Reece Hitch Mount

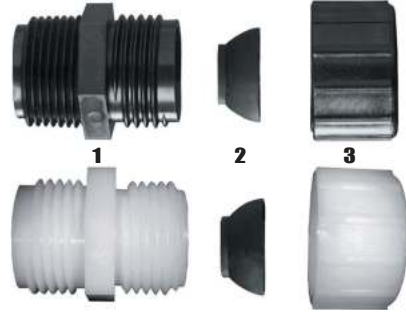
Front or Rear Mount for 2" Receivers

PART #	PRICE ea.
SWHM	\$217.54

***STRING WING SOLD SEPARATELY**



EG3434



Rope Wick Fitting

REF#	PART #				DESCRIPTION
	NYLON	PRICE ea.	POLY	PRICE ea.	
1	E3434	\$0.92	E3434P	\$1.13	3/4" Male GHT X 3/4" MPT Nylon
2	W407	\$0.67			Cone Washer
3	B3450	\$0.68	B3450P	\$0.90	3/4" Female GHT x 1/2" opening
3	B3458	\$0.68	B3458P	\$0.90	3/4" Female GHT x 5/8"
1, 2, 3	E3434C	\$2.93	E3434CP	\$3.38	1ea. E3434, B3450 & W407
EG3434	EG3434	\$1.67	Glue on Body. Designed to fit over 3" schedule 40 PVC pipe only.		



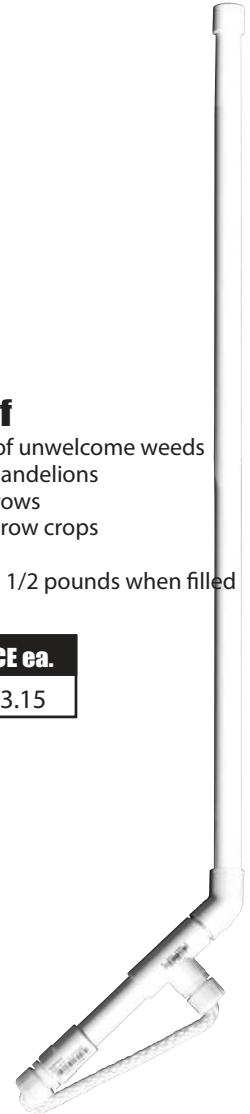
Wick Replacement Kit

PART #	PRICE ea.	DESCRIPTION
WK1	\$116.33	Wick replacement for String Wing, includes 14 each 18" wicks with 28 each B3450 fittings and W407 cone washers installed.
WK2	\$403.55	Wick Replacement Kit for a 20' wick bar. Parallel wick rows. Includes 50 each 18" wicks with 100 ea. B3450 fittings & W407 cone washers installed.
WK3	\$215.11	Wick Replacement includes 50 each 18" wicks. No fittings or cone washers. Wick ends are heat sealed.
WK4	\$8.13	1 - 18" Wick; 2 - B3450 fittings and 2 - W407 cone washers. Wick ends are heat sealed.
WK5	\$202.10	String Wing Do-It-Yourself Kit - 5ft. Includes 27-EG3434; 2-SW300CAP DWF; 1-WK1; 1-SW1140CAP; 1-M1140; 1-SW Breather
WK10	\$341.19	String Wing Do-It-Yourself Kit - 10ft. Includes 54-EG3434; 2-SW300CAP DWF; 2-WK1; 1-SW1140CAP; 1-M1140; 1-SW Breather
WK15	\$488.04	String Wing Do-It-Yourself Kit - 15ft. Includes 81-EG3434; 2-SW300CAP DWF; 3-WK1; 1-SW1140CAP; 1-M1140; 1-SW Breather
WK20	\$637.52	String Wing Do-It-Yourself Kit - 20ft. Includes 108-EG3434; 2-SW300CAP DWF; 4-WK1; 1-SW1140CAP; 1-M1140; 1-SW Breather

Weed Thief

- Robs garden of unwelcome weeds
- Rids lawn of dandelions
- Cleans fence rows
- Kills weeds in row crops
- Easy to use
- Lightweight 2 1/2 pounds when filled
- Economical

PART #	PRICE ea.
WT1	\$43.15



Adapter

This fitting was used in early model rope wick applicators. Requires the use of N1116 Nut and either an "O" ring for wick bar use or a W406 washer if used as a tank fitting. ("O" rings are special order)



PART #				THREAD
NYLON	PRICE ea.	POLY	PRICE ea.	
1116B	\$0.82	1116BP	\$1.04	11/16"

Cone Washer

Used for sealing wick in fitting. Fits 1/2" or 5/8" wick material.

PART #	PRICE ea.
W407	\$0.67





TERREMAX[®]

LIQUID HANDLING PRODUCTS

Develop. Depend. Deliver.

TerreMax pledges to be committed to its distributors and the agricultural market by developing new products, providing quality product assurance, and delivering superior customer service.

PRICING

All prices are subject to change without notice. Orders will be invoiced at current prices on the date shipment is made. All prices are F.O.B. TerreMax.

TERMS

An invoice is a contract in which TerreMax terms will prevail. Unless otherwise stated, payment terms are net 30 days, (D.O.I.). TerreMax reserves the right to place a customer on credit hold if deemed necessary. Up to a 5% service charge will be added per month on all past due accounts.

ORDERING

Please order by TerreMax's part number.
US Orders: A \$10.00 handling charge will be added to all orders under \$100.00.
International Orders: A \$25.00 processing fee will be added to all orders under \$200.00.

NEW ACCOUNTS

TerreMax welcomes all new accounts. TerreMax will provide a credit application for new customers to establish an open account. When opening an account the customer agrees to pay invoices in 30 days, pay up to a 5% service charge monthly on any invoices 31 days or older, and to pay any and all collection agencies, attorney fees and/or court fees necessary to collect on the account.

SHIPPING

Please notify us with your shipping instructions. Freight, air, parcel post or UPS. If no instruction is given, we will send best way. Freight shipments should be specified, via truck or rail, with line preference. A handling/service charge of \$2.00 will be added to all invoices.

SAME DAY SHIPMENTS

Same day shipments will incur a service charge of \$10.00 or 5%, whichever is greater.

WEIGHT VARIANCE

To control the cost of processing your orders, TerreMax uses electronic counting scales. It is our policy to have each scale certified for accuracy on a schedule recommended by the scale manufacturer. Electronic scales have an accuracy range that is acceptable by most of our customers. If your policy does not allow for a small overage/underage, please contact our marketing department and advise them that you require 100% accuracy of all quantities. Your account will be marked as hand count only. There is a charge of plus 5% of order value for all orders processed in this manner.

RETURNED GOODS POLICY

Returns must be received within 30 days from shipment and must be approved by TerreMax. A document with our return authorization number (RMA Number) and ship to address will be faxed, emailed or mailed to the customer. Any goods returned that do not have this document clearly attached to the outside of the carton will be refused. All returns must be freight prepaid. A 20% minimum restocking fee will be assessed to all returns. Returns will only be accepted if the products are in new and original condition, and contain no markings or labels other than TerreMax.

SHORTAGES

Claims must be made within 30 days after receipt of shipment; otherwise order will be considered shipped as ordered.

LOSS OR DAMAGE

In order to expedite your shipment to its destination in good condition, all orders are packed and shipped with care. TerreMax assumes no responsibility for items lost or damaged in transit. Claims will be made with carriers immediately. The purchaser is responsible for claims on freight collect shipments.

GUARANTEE

TerreMax warrants all merchandise to be as represented in our catalog. We will replace or make satisfactory adjustment if found otherwise.

USE OF PRODUCTS

Products manufactured by TerreMax and illustrated within this catalog are produced using resins that are prime and certifiable in grade. The chemical resistance & physical properties of these resins are available from TerreMax's engineering department. Improper use of these products could result in environmental spills, serious injury or death.

MATERIALS

As stated, TerreMax's stock fittings are always manufactured using quality prime resins; however, in order to insure that we continue to provide the best value to our customers, we reserve the right to change specific grades and/or manufacturers of resin without notice. Please keep this in mind when specifying our stock fittings for use in your applications. Due to the infinite end use possibilities of our products, the customer is responsible for determining the suitability of our products for their application. Data sheets indicating the manufacturer, grade, and properties of current production materials are available and may be requested at anytime. Should your application require a specific material, please contact our sales department for a custom quotation.

TerreMax is a division of Green Leaf, Incorporated — www.green-leaf.us

**SCAN &
DOWNLOAD
YOUR COPY**



TERREMAX[®]

LIQUID HANDLING PRODUCTS

9490 N. Baldwin Street
Fontanet, IN 47851

P: 833-809-6983
F: 812-877-4278

Web: www.terremax.us
E: sales@terremax.us



Develop.



Depend.



Deliver.