

VALVES & COUPLERS

EFFECTIVE OCTOBER 2, 2023



List Price Sheet

PLEASE ORDER VALVES IN BOX QUANTITIES.

BOLTED BALL VALVES POLYPROPYLENE WITH STAINLESS STEEL BOLTS

Blue Handle Part Number	Yellow Handle Part Number	Description	Box Quantity	List Price Each
60540	61115	1/2" Full Port	24	\$ 43.52
60541	61116	3/4" Full Port	24	43.52
60542	61117	1" Standard Port	24	43.52
60543	61118	1" Full Port	24	50.98
61734	61119	1-1/4" Standard Port	24	65.87
60527	61120	1-1/4" Full Port	24	64.30
60526	61121	1-1/2" Full Port	24	64.30
60544	61125	1-1/2" Full Port Nozzle	12	87.96
60529	61122	2" Standard Port	24	65.05
62046	—	2" Standard Port M x F	24	65.05
60545	61126	2" Standard Port Nozzle	12	90.06
60528	61123	2" Full Port	12	91.69
61876	—	2" Full Port M x F	12	91.69
60546	61127	2" Full Port Nozzle	9	125.38
61720	61124	3" Full Port	8	217.03
62047	—	3" Full Port M x F	8	217.03
62787	62788	4" Full Port	4	463.13

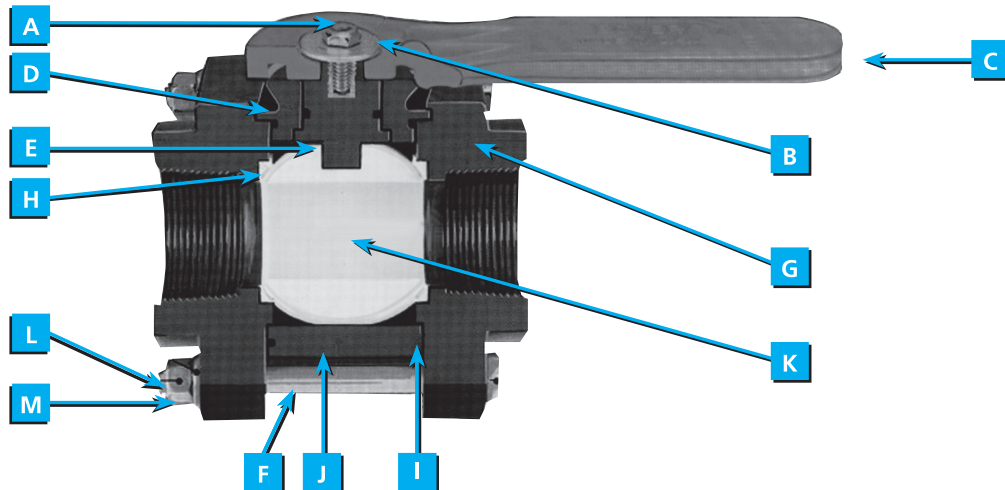
NOTE: Blue handles are Norwesco branded; Yellow handles are blank.

COMPACT BOLTED BALL VALVES

Blue Handle Part Number	Yellow Handle Part Number	Description	Box Quantity	List Price Each
62286	62308	2" Full Port M x F	12	\$ 73.21
62287	62309	2" Full Port F x F	12	73.21
62288	62310	2" Full Port M x M Coupler	12	73.21
62314	62313	2" Full Port F x M Coupler	12	73.21
64258	64259	2" Full Port F x F x F 3-Way Side Load	12	124.07
64139	64161	2" Full Port F x F x F 3-Way Bottom Load	12	124.07

NOTE: Blue handles are Norwesco branded; Yellow handles are blank.

BOLTED BALL VALVE REPLACEMENT PARTS



PART NUMBERS AND LIST PRICE																			
ITEM CODE & DESCRIPTION	1/2" FP	3/4" FP	1" STD	1" FP	1-1/4" STD	1-1/4" FP	1-1/2" FP	2" STD	2" FP Compact	2" FP	2" FPBTM	2" FPSIDE	3" FP	3" FPBTM	4" FP	1-1/2" FPNZ	2" STDNZ	2" FPNZ	
A Stem Screw	61347 0.48	61347 0.48	61347 0.48	61347 0.48	61347 0.48	—	—	—	—	—	—	—	—	—	—	—	—	—	
B Stem Cap Screw & Flat Washer	—	—	—	—	—	61350 1.27	61350 1.27	61350 1.27	61350 1.27	61351 4.10	61350 1.27	61350 1.27	61351 4.10	61351 4.10	61351 4.10	61350 1.27	61350 1.27	61351 4.10	
C-1 Yellow Blank Handle	61783 3.47	61783 3.47	61783 3.47	61784 3.87	61784 3.87	61785 6.47	61785 6.47	61785 6.47	61785 6.47	61786 9.98	64213 6.47	61785 6.47	61786 9.98	64209 9.98	62838 9.98	61787 7.46	61787 7.46	61788 9.98	
C-2 Norwesco Blue Handle	61721 3.47	61721 3.47	61721 3.47	61722 3.87	61722 3.87	61723 6.47	61723 6.47	61723 6.47	61723 6.47	61724 9.98	64214 6.47	61723 6.47	61724 9.98	64210 9.98	62839 9.98	61725 7.46	61725 7.46	61726 9.98	
D Viton Stem O-Ring(s)*	61497 1.69	61497 1.69	61497 1.69	61497 1.69	61497 1.69	61425 2.61	61425 2.61	61425 2.61	61425 2.61	61447 3.47	61425 2.61	61425 2.61	61447 3.47	61447 3.47	62817 7.46	61425 2.61	61425 2.61	61447 3.47	
E Valve Stem w/Viton O-Ring(s)	61359 3.47	61359 3.47	61359 3.47	61446 3.47	61446 3.47	61360 6.88	61360 6.88	61360 6.88	61360 6.88	61361 10.34	61360 6.88	61360 6.88	61361 10.34	61361 10.34	62818 27.36	61360 6.88	61360 6.88	61361 10.34	
F Stainless Steel Bolt, Hex Nut & Lock Washer	61421 2.94	61421 2.94	61421 2.94	61422 4.15	61422 4.15	61423 7.40	61423 7.40	61423 7.40	61424 8.10	61424 8.10	61424 8.10	61424 8.10	62208 9.48	62208 9.48	62819 14.68	61423 7.40	61423 7.40	61424 8.10	
G End Plate FPT w/Teflon® Seat	62051 9.48	62052 9.48	62053 9.48	62054 12.91	62055 12.91	62056 17.43	62057 17.43	62059 17.43	62316 19.81	62060 24.11	62316 19.81	62316 19.81	62065 51.68	—	62820 67.19	62057 17.43	62059 17.43	62060 24.11	
G End Plate MPT w/Teflon® Seat	—	—	—	—	—	—	—	62064 16.37	62317 19.81	62063 25.85	—	—	62066 53.42	—	—	—	—	—	
G End Plate Male Coupler w/Teflon® Seat	—	—	—	—	—	—	—	—	62318 31.90	—	—	—	—	—	—	—	—	—	
G End Plate Flanged w/Teflon® Seat	—	—	—	62929 12.91	—	—	—	64270 19.42	62930 19.81	—	—	62930 19.81	62931 53.42	64211 53.42	—	—	—	—	
H Teflon® Seat	62077 3.47	62077 3.47	62077 3.47	62076 4.32	62076 4.32	62075 5.18	62075 5.18	62075 5.18	62075 6.88	62074 6.88	62074 6.88	62074 6.88	62074 6.88	62074 13.00	62073 12.07	64212 24.87	62075 5.18	62075 5.18	62074 6.88
I Large Body EPDM O-Ring Seal	61378 1.69	61378 1.69	61378 1.69	61379 2.61	61379 2.61	61380 2.61	61380 2.61	61380 2.61	62319 5.00	61381 5.00	62319 5.00	62319 5.00	61382 6.01	61382 6.01	62822 12.44	61380 2.61	61380 2.61	61381 5.00	
J Valve Body	61383 8.61	61383 8.61	61383 8.61	61384 9.90	61384 9.90	61385 11.18	61385 11.18	61385 11.18	62315 12.91	61386 19.81	—	64271 11.18	61387 33.09	—	62823 72.13	61385 11.18	61385 11.18	61386 19.81	
Q Valve Body w/Side Port	—	—	—	—	—	—	—	—	—	—	—	64206 16.44	—	—	—	—	—	—	
R Valve Body w/Btm Port	—	—	—	—	—	—	—	—	—	—	64207 16.44	—	64208 33.09	—	—	—	—	—	
K Valve Ball	61388 7.75	61388 7.75	61388 7.75	61389 8.61	61389 8.61	61390 14.24	61390 14.24	61390 14.24	62312 17.24	61391 17.24	64203 17.24	64204 17.24	61392 34.46	64205 34.46	62824 48.52	61390 14.24	61390 14.24	61391 17.24	
N Top Flange w/Teflon® Seat for Nozzle	—	—	—	—	—	—	—	—	—	—	—	—	—	—	—	62058 33.55	62061 31.90	62062 37.88	
O Nozzle Pipe	—	—	—	—	—	—	—	—	—	—	—	—	—	—	—	61400 8.61	61401 9.90	61401 9.90	

*4" requires 2 stem o-rings.

PLEASE ORDER VALVES IN BOX QUANTITIES.

GARDEN HOSE SHUT OFF VALVE POLYPROPYLENE

Part Number	Description	Bag	List Price Each
64482	3/4" MPT X GHT Valve w/adapter	1/bag	\$ 16.13

SINGLE UNION BALL VALVES POLYPROPYLENE

Part Number	Description	Box Quantity	List Price Each
60409	1/2" Single Union	24	\$ 19.98
60410	3/4" Single Union	24	23.35
60411	1" Single Union	24	28.19
60412	1-1/4" Single Union	12	46.24
60413	1-1/2" Single Union	12	57.74
60414	2" Single Union	12	75.51
60415	3" Single Union	4	217.32
60479	1" 45° Nozzle Valve	24	29.38

SINGLE UNION BALL VALVE REPLACEMENT PARTS

Size	Repair Kit Includes 3 EPDM O-Rings & 2 Teflon® Seats	Optional Repair Kit Includes 3 Viton O-Rings	Handles	Valve Stem with EPDM O-Ring
1/2"	60430	60437	60444	60451
	\$ 3.81	\$ 5.79	\$ 2.71	\$ 8.79
3/4"	60431	60438	60445	60452
	4.97	8.16	3.47	8.79
1"	60432	60439	60446	60453
	6.33	9.86	4.74	8.79
1-1/4"	60433	60440	60447	60454
	7.28	11.04	5.07	13.13
1-1/2"	60434	60441	60448	60455
	9.97	12.65	5.92	13.13
2"	60435	60442	60449	60455
	12.70	18.12	8.89	13.13
3"	60436 *	60443 **	60450	60457
	26.30	51.07	22.40	15.32

*Includes 4 EPDM O-Rings & 2 Teflon® Seats

**Includes 4 Viton O-Rings*

MULTI-PORT BALL VALVES POLYPROPYLENE

Part Number	Description	Box Quantity	List Price Each
60417	3/4" True Union	24	\$ 64.27
60418	2" Multi-Port	12	91.07

MULTI-PORT BALL VALVE REPLACEMENT PARTS

Size	Repair Kit Includes 3 EPDM O-Rings & 2 Teflon® Seats	Optional Repair Kit Includes 3 Viton O-Rings	T-Ball	Handles	Valve Stem with EPDM O-Ring
3/4"	61733	60438	60429	61735	60452
	\$ 11.43	\$ 8.16	\$ 11.18	\$ 4.52	\$ 8.79
2"	60435	60442	60428	61736	60455
	12.70	18.12	17.43	11.97	13.13

STAINLESS STEEL BALL VALVES

Part Number	Description	List Price Each
60481	1/2" Full Port	\$ 46.66
60482	3/4" Full Port	76.57
60483	1" Full Port	114.28
60485	1-1/2" Full Port	201.84
60487	2" Full Port	381.96
60488	3" Full Port	1004.15

PLEASE ORDER COUPLERS IN BOX QUANTITIES.

CAM ACTION COUPLERS & ADAPTERS POLYPROPYLENE WITH 304 STAINLESS STEEL HANDLES

Part Number	Description	Box Qty.	List Price Each	Part Number	Description	Box Qty.	List Price Each	Part Number	Description	Box Qty.	List Price Each
61199	1/2" A	24	\$ 5.92	61268	1-1/4" C	24	\$ 21.08	61243	2" E	24	\$ 9.65
61255	1/2" B	24	15.51	61269	1-1/4" D	24	21.08	61244	2" F	24	9.65
61256	1/2" C	24	15.51	61227	1-1/4" E	24	7.28	61291	2" 90° F	24	13.82
61257	1/2" D	24	15.51	61228	1-1/4" F	24	7.28	61278	2" DC	24	24.67
61203	1/2" E	24	6.37	61274	1-1/4" DC	24	20.98	61246	2" DP	24	9.37
61204	1/2" F	24	6.37	61238	1-1/4" DP	24	6.96	61247	3" A	24	18.82
61258	1/2" DC	24	15.51	61231	1-1/2" A	24	7.01	61279	3" B	24	41.68
61214	1/2" DP	24	5.73	61293	1-1/2" 90° A	24	11.60	63962	3" B Long	24	45.28
61207	3/4" A	24	5.92	61271	1-1/2" B	24	20.98	61280	3" C	24	41.68
61259	3/4" B	24	15.51	61272	1-1/2" C	24	20.98	64136	3" C-3 Arms	24	50.08
61260	3/4" C	24	15.51	61299	1-1/2" 90° C	24	25.10	61281	3" D	24	41.68
61261	3/4" D	24	15.51	61273	1-1/2" D	24	20.98	61251	3" E	24	23.75
61211	3/4" E	24	6.37	61300	1-1/2" 90° D	24	25.10	61252	3" F	24	23.75
61212	3/4" F	24	6.37	61235	1-1/2" E	24	7.50	64133*	3" Mx2" M	24	48.26
61258	3/4" DC	24	15.51	61236	1-1/2" F	24	7.50	64134**	3" Mx3" M	24	48.26
61214	3/4" DP	24	5.73	61289	1-1/2" 90° F	24	13.40	64135***	3" FCx3" M	24	65.84
61215	1" A	24	6.29	61274	1-1/2" DC	24	20.98	61282	3" DC	24	41.68
61263	1" B	24	17.72	61238	1-1/2" DP	24	6.96	61254	3" DP	24	18.82
61264	1" C	24	17.72	61239	2" A	24	8.30	62789	4" A	8	32.92
61265	1" D	24	17.72	61296	2" 90° A	24	12.22	62790	4" B	8	83.66
61219	1" E	24	7.20	61275	2" B	24	24.67	62791	4" C	8	83.66
61220	1" F	24	7.20	63961	2" B Long	24	25.18	62792	4" D	8	83.66
61266	1" DC	24	17.18	61276	2" C	24	24.67	62793	4" E	8	32.92
61222	1" DP	24	6.29	61301	2" 90° C	24	29.66	62794	4" F	8	32.92
61223	1-1/4" A	24	6.74	61277	2" D	24	24.67	62795	4" DC	8	57.64
61267	1-1/4" B	24	21.08	61302	2" 90° D	24	29.66	62796	4" DP	8	27.16

NOTE: 1/2" couplers and adapters will interchange with 3/4" couplers and adapters. Only the threads and barbs are 1/2".

1-1/4" couplers and adapters will interchange with 1-1/2" couplers and adapters. Only the threads and barbs are 1-1/4".

*3" Male Adapter x 2" Male Adapter

**3" Male Adapter x 3" Male Adapter

***3" Female Coupler x 2" Male Adapter

CAM ACTION COUPLER – REPLACEMENT PARTS LIST

Coupler Description	EPDM Gasket (Standard)	Key Ring	Stainless Steel Pin	Stainless Steel Handle	Polypropylene Shims	Locking Pin
1/2"	61570	61589	61582	61594	61715	—
	\$ 1.86	\$ 1.27	\$ 0.77	\$ 3.36	\$ 1.45	—
3/4"	61570	61589	61582	61594	61715	—
	1.86	1.27	0.77	3.36	1.45	—
1"	61571	61589	61582	61594	61716	—
	0.88	1.27	0.77	3.36	1.45	—
1-1/4"	61572	61589	61585	61595	61717	63545
	1.37	1.27	1.51	6.55	2.84	\$ 0.79
1-1/2"	61572	61589	61585	61595	61717	63545
	1.37	1.27	1.51	6.55	2.84	0.79
2"	61574	61589	61585	61595	61718	63545
	1.66	1.27	1.51	6.55	1.39	0.79
3"	61575	61589	61584	61596	61719	—
	2.43	1.27	2.48	11.50	2.39	—
4"	62797	61589	61584	61596	—	—
	5.32	1.27	2.48	11.50	—	—

VENTURIS

Part Number	Description	List Price Each
64892	1-1/2" Flange Venturi	\$ 116.58
64891	1-1/2" Threaded Venturi	133.06
64889	2" Standard Flange Venturi	120.38
64890	2" Threaded Venturi	145.73
64881	Dual Inlet Venturi	253.02

FLANGE FITTINGS

STAINLESS STEEL WORM SCREW HOSE CLAMPS FOR FLANGE FITTINGS

Part Number	Description	List Price Each
62932	1" (100 Series)	\$ 13.69
62933	2" (220 Series)	17.12
62934	3" (300 Series)	19.75

EPDM FLANGE GASKET FOR FLANGE FITTINGS

Part Number	Description	List Price Each
62935	1" (100 Series)	\$ 1.31
61574	2" (220 Series)	1.66
61575	3" (300 Series)	2.43

FULL PORT FLANGE VALVES

Blue Handle Part Number	Yellow Handle Part Number	Description	Box Quantity	List Price Each
63027	63028	1" Full Port Flange x Flange (100 Series)	24	\$ 65.87
64256	64257	2" Standard Port Flange x Flange (200 Series)	12	72.08
63122	63123	2" Full Port Compact Flange x Flange (220 Series)	12	73.21
64138	64162	2" Full Port Flange x Flange x Flange 3-Way Side Load (220 Series)	12	133.35
63124	63125	3" Full Port Flange x Flange (300 Series)	8	217.03
64140	64163	3" Full Port Flange x Flange x Flange 3-Way Bottom Load (300 Series)	8	350.25

FLANGE FITTINGS

1" FULL PORT 100 SERIES

Part Number	Description	List Price Each
62912	1" Flange Tee	\$ 6.97
62913	1" Flange Elbow 90°	6.97
62914	1" Flange Coupling	5.23
63098	1" Flange x 3/4" MPT	4.67
62915	1" Flange x 1" MPT	2.84
63099	1" Flange x 1-1/4" MPT	3.82
62916	1" Flange x 1" FPT	3.63
62917	1" Flange x 3/4" HB	2.14
62918	1" Flange x 1" HB	2.14
62919	1" Flange x 1-1/4" HB	2.14
62920	1" Flange x 3/4" HB 90°	2.59
62921	1" Flange x 1" HB 90°	2.84
62922	1" Flange x 1-1/4" HB 90°	3.33
62923	1" Flange Cross	19.81
62924	1" Flange Plug	2.24
62925	1" Flange Plug with 1/4" FPT	7.87

2" FULL PORT 220 SERIES

63100	2" Flange Tee	\$ 15.05
64483	2" Flange Elbow 45°	18.68
63101	2" Flange Elbow 90°	13.14
63102	2" Flange Coupling	16.44
63103	2" Flange x 2" MPT	4.92
63104	2" Flange x 2" FPT	13.51
63105	2" Flange x 1-1/2" HB	5.57
63106	2" Flange x 2" HB	5.80
63107	2" Flange x 1-1/2" HB 90°	10.26
63108	2" Flange x 2" HB 90°	10.26
63109	2" Flange Cross	39.14
63110	2" Flange Plug	6.09
62926	2" Flange x 2" Male Coupler	12.32
64137	2" Flange x 2" Male Adapter Sweep	16.70
64405	2" Flange x 2" HB Sweep	28.27
64406	2" Flange x 2" MPT Sweep	18.76
64484	2" Flange x 2" Flange Sweep	17.97

3" FULL PORT 300 SERIES

63111	3" Flange Tee	\$ 45.09
63112	3" Flange Elbow 90°	39.44
63113	3" Flange Coupling	20.15
63114	3" Flange x 3" MPT	15.62
63115	3" Flange x 2" HB	17.24
63116	3" Flange x 3" HB	17.24
63117	3" Flange x 2" HB 90°	33.54
63118	3" Flange x 3" HB 90°	33.54
63119	3" Flange Cross	81.75
63120	3" Flange Plug	16.91
63121	3" Flange x 3" Male Coupler	21.82
64403	3" Flange x 3" MPT Sweep	86.12
64404	3" Flange x 3" HB Sweep	65.73

2" AND 3" FULL PORT REDUCER COUPLING

Part Number	Description	List Price Each
62927	2" x 1" Flange Full Port Reducer Coupling	\$ 16.18
64250	2" x 2" Flange Full Port Reducer Coupling	16.27
64893	3" x 1" Flange Full Port Reducer Coupling	46.09
62928	3" x 2" Full Port Reducer Coupling	28.20

PLEASE ORDER FITTINGS IN BAG QUANTITIES.

THREADED POLYPROPYLENE FITTINGS

POLY TEES – SCH80

Part Number	Description	Box/Bag Quantity	List Price Each
62464	3/8"	10/Bag	\$ 4.07
62209	1/2"	10/Bag	4.67
62210	3/4"	10/Bag	4.89
62211	1"	10/Bag	7.20
62212	1-1/4"	10/Bag	8.65
62213	1-1/2"	—	12.77
62190	2"	—	15.30
62214	3"	—	68.86

90° ELBOWS – SCH80

Part Number	Description	Box/Bag Quantity	List Price Each
62465	3/8"	10/Bag	\$ 4.32
62215	1/2"	10/Bag	4.10
62216	3/4"	10/Bag	4.43
62217	1"	10/Bag	5.32
62218	1-1/4"	10/Bag	6.62
62219	1-1/2"	10/Bag	10.68
62191	2"	10/Bag	12.33
62220	3"	—	60.61

POLY PIPE COUPLING – SCH80

Part Number	Description	Box/Bag Quantity	List Price Each
62461	3/8"	10/Bag	\$ 4.43
62237	1/2"	10/Bag	4.35
62238	3/4"	10/Bag	4.73
62239	1"	10/Bag	5.20
62240	1-1/4"	10/Bag	7.20
62241	1-1/2"	10/Bag	12.26
62194	2"	10/Bag	12.80
62242	3"	—	38.54

POLY CROSS – SCH80

Part Number	Description	Box/Bag Quantity	List Price Each
62262	3/4"	5/Bag	\$ 19.22
62263	1"	5/Bag	20.13
62264	1-1/4"	—	30.91
62265	1-1/2"	—	34.01
62202	2"	—	35.09

POLY NIPPLES – SCH80

Part Number	Description	Box/Bag Quantity	List Price Each
62459	3/8" x Short	10/Bag	\$ 1.61
62221	1/2" x Short	10/Bag	1.67
62222	1/2" x 3"	10/Bag	2.69
60554	3/4" x Short	10/Bag	2.48
62223	3/4" x 4"	10/Bag	2.88
62224	3/4" x 6"	10/Bag	3.53
60555	1" x Short	10/Bag	2.95
62225	1" x 4"	10/Bag	3.44
62226	1" x 6"	10/Bag	4.10
60556	1-1/4" x Short	10/Bag	3.13
62227	1-1/4" x 4"	10/Bag	4.10
62228	1-1/4" x 6"	10/Bag	4.92
60547	1-1/2" x Short	10/Bag	4.19
62229	1-1/2" x 4"	10/Bag	8.86
62230	1-1/2" x 6"	10/Bag	10.59
60548	2" x Short	10/Bag	4.71
62192	2" x 4"	10/Bag	10.05
62193	2" x 6"	10/Bag	11.54
61769	3" x Short	—	15.95
62232	3" x 6"	—	24.94
62467	4" x Short	—	23.77

REDUCER NIPPLES – SCH80

Part Number	Description	Box/Bag Quantity	List Price Each
62455	1/2" x 3/8"	10/Bag	\$ 2.10
62233	3/4" x 1/2"	10/Bag	2.43
62456	1" x 1/2"	10/Bag	2.69
62234	1" x 3/4"	10/Bag	2.69
62457	1-1/4" x 3/4"	10/Bag	3.26
62235	1-1/4" x 1"	10/Bag	3.44
62458	1-1/2" x 1"	10/Bag	4.49
62236	1-1/2" x 1-1/4"	10/Bag	3.64
60549	2" x 1-1/2"	10/Bag	4.02
61768	3" x 2"	—	14.69
62938	4" x 3"	—	22.72

PLEASE ORDER FITTINGS IN BAG OR BOX QUANTITIES.

THREADED POLYPROPYLENE FITTINGS

REDUCER BUSHING – SCH80

Part Number	Description	Box/Bag Quantity	List Price Each
62466	3/8" x 1/4"	10/Bag	\$ 2.69
62267	1/2" x 1/4"	10/Bag	2.69
62268	1/2" x 3/8"	10/Bag	2.69
62269	3/4" x 1/8"	10/Bag	2.69
62270	3/4" x 1/4"	10/Bag	2.69
62271	3/4" x 3/8"	10/Bag	2.69
62272	3/4" x 1/2"	10/Bag	2.69
62273	1" x 1/8"	10/Bag	2.85
62274	1" x 1/4"	10/Bag	2.85
62275	1" x 1/2"	10/Bag	2.85
62276	1" x 3/4"	10/Bag	2.85
62277	1-1/4" x 3/4"	10/Bag	3.64
62278	1-1/4" x 1"	10/Bag	3.64
62279	1-1/2" x 3/4"	10/Bag	4.73
62280	1-1/2" x 1"	10/Bag	4.73
62281	1-1/2" x 1-1/4"	10/Bag	4.73
62195	2" x 3/4"	10/Bag	4.92
62196	2" x 1"	10/Bag	4.92
62197	2" x 1-1/4"	10/Bag	4.92
62198	2" x 1-1/2"	10/Bag	4.92
62282	3" x 1-1/2"	—	17.88
60330	3" x 2"	—	14.84

POLY PIPE PLUG – SCH80

Part Number	Description	Box/Bag Quantity	List Price Each
62255	1/2"	10/Bag	\$ 2.69
62256	3/4"	10/Bag	2.69
62257	1"	10/Bag	2.69
62258	1-1/4"	10/Bag	3.64
62259	1-1/2"	10/Bag	5.24
62201	2"	10/Bag	4.96
62260	3"	—	19.27

STREET ELBOW 45° – SCH80

Part Number	Description	Box/Bag Quantity	List Price Each
62907	3/4"	10/Bag	\$ 6.84
62908	1"	10/Bag	10.01
62909	1-1/4"	10/Bag	12.42
62910	1-1/2"	10/Bag	13.55
62911	2"	10/Bag	15.67

STREET ELBOW 90° – SCH80

Part Number	Description	Box/Bag Quantity	List Price Each
62460	3/8"	10/Bag	\$ 4.32
62243	1/2"	10/Bag	4.15
62244	3/4"	10/Bag	4.73
62245	1"	10/Bag	5.20
62246	1-1/4"	10/Bag	7.20
62247	1-1/2"	10/Bag	10.68
62199	2"	10/Bag	12.63
62248	3"	—	60.61

POLY PIPE CAP – SCH80

Part Number	Description	Box/Bag Quantity	List Price Each
62462	1/2"	10/Bag	\$ 5.35
62250	3/4"	10/Bag	5.35
62251	1"	10/Bag	5.35
62463	1-1/4"	10/Bag	6.37
62253	1-1/2"	10/Bag	9.03
62200	2"	10/Bag	9.67
62254	3"	—	34.42

POLYPROPYLENE KING NIPPLES

Part Number	Description	Box/Bag Quantity	List Price Each
61319	1-1/2"	24/Box	\$ 3.83
61861	2"	24/Box	5.10
61321	3"	24/Box	14.57
62468	4"	—	31.14

POLYPROPYLENE HOSE BARBS

Part Number	Description	Box/Bag Quantity	List Price Each
61303	1/2"	50/Bag	\$ 1.94
61304	3/4"	50/Bag	2.02
61305	1"	25/Bag	2.26
64153	1" MPT x 1" HB Elbow 90°	—	3.15
62469	1-1/4" MPT x 1" HB Elbow 90°	—	3.06

PLEASE ORDER STRAINERS IN BOX QUANTITIES.

Y-LINE STRAINERS POLYPROPYLENE

Part Number	Description	Box Quantity	List Price Each
64169	1/2" w/20 Mesh OM Screen	12	\$ 39.93
64170	1/2" w/50 Mesh OM Screen	12	39.93
64171	1/2" w/80 Mesh OM Screen	12	45.04
64172	1/2" w/100 Mesh OM Screen	12	44.13
64173	3/4" w/20 Mesh OM Screen	12	39.93
64174	3/4" w/50 Mesh OM Screen	12	39.93
64175	3/4" w/80 Mesh OM Screen	12	45.04
64176	3/4" w/100 Mesh OM Screen	12	44.13
64294	1" w/20 Mesh OM Screen	12	51.96
64295	1" w/50 Mesh OM Screen	12	49.25
64296	1" w/100 Mesh OM Screen	12	51.96
64297	1-1/4" w/20 Mesh OM Screen	12	51.96
64298	1-1/4" w/50 Mesh OM Screen	12	51.96
64299	1-1/4" w/100 Mesh OM Screen	12	51.96
64272	1-1/2" w/20 Mesh OM Screen	12	80.35
64273	1-1/2" w/50 Mesh OM Screen	12	90.24
64274	1-1/2" w/100 Mesh OM Screen	12	90.24
64275	2" w/20 Mesh OM Screen	12	80.35
64276	2" w/50 Mesh OM Screen	12	90.24
64277	2" w/100 Mesh OM Screen	12	90.24
62338	3" w/12 Mesh Screen	—	492.84
62339	3" w/20 Mesh Screen	—	492.84
62340	3" w/40 Mesh Screen	—	492.84

OM = Over-molded

Y-LINE STRAINER REPLACEMENT PARTS

Part Number	Description	List Price Each
61452	1/2" & 3/4" EPDM O-Ring	\$ 1.37
61307	1/2" YLS w/o Screen	23.70
61308	3/4" YLS w/o Screen	23.70
64177	20 Mesh OM Screen for 1/2" & 3/4"	22.09
64178	50 Mesh OM Screen for 1/2" & 3/4"	22.09
64179	80 Mesh OM Screen for 1/2" & 3/4"	26.82
64180	100 Mesh OM Screen for 1/2" & 3/4"	26.30
61750	1" & 1-1/4" EPDM O-Ring	1.53
61309	1" YLS w/o Screen	28.67
61748	1-1/4" YLS w/o Screen	28.67
64300	20 Mesh OM Screen for 1" & 1-1/4"	29.98
64292	50 Mesh OM Screen for 1" & 1-1/4"	29.98
64293	100 Mesh OM Screen for 1" & 1-1/4"	29.98
61561	1-1/2" & 2" EPDM Gasket	1.85
64307	1-1/2" YLS OM body w/o Screen	48.13
64308	2" YLS OM body w/o Screen	49.95
61567	Cap only for 1-1/2" & 2" w/Plug & Plug O-Ring	20.91
64260	20 Mesh OM Screen for 1-1/2" & 2"	32.64
64261	50 Mesh OM Screen for 1-1/2" & 2"	43.38
64262	100 Mesh OM Screen for 1-1/2" & 2"	43.38
62266	3" EPDM Body O-Ring	6.43
62283	3" EPDM Plug O-Ring	0.50
62334	3" YLS w/o Screen	343.75
62249	12 Mesh Screen for 3"	138.51
62252	20 Mesh Screen for 3"	138.51
62261	40 Mesh Screen for 3"	138.51
62400	80 Mesh Screen for 3"	138.51
62335	3" Cap only w/Plug & Plug O-Ring	102.92

OM = Over-molded

**ISO/FDIS 19732 COLOR STANDARDS
FOR OVER-MOLDED SCREENS**

20 MESH = BEIGE
50 MESH = GENTIAN BLUE

80 MESH = ZINC YELLOW
100 MESH = TRAFFIC GREEN

T-LINE STRAINERS POLYPROPYLENE – BLACK WITH CLEAN-OUT PLUG

Part Number	Description	Box Quantity	List Price Each
64281	1/2" w/20 Mesh Screen	12	\$ 28.79
64282	1/2" w/40 Mesh Screen	12	27.16
64283	1/2" w/80 Mesh Screen	12	28.79
64284	3/4" w/20 Mesh Screen	12	28.79
64285	3/4" w/40 Mesh Screen	12	27.16
64286	3/4" w/80 Mesh Screen	12	28.79
64287	1" w/20 Mesh Screen	12	28.79
64288	1" w/40 Mesh Screen	12	27.16
64289	1" w/80 Mesh Screen	12	28.79

T-LINE STRAINERS REPLACEMENT PARTS

Part Number	Description	List Price Each
61537	1/2" - 1" EPDM Gasket	\$ 1.29
64278	1/2" TLS w/o Screen Black	20.56
64279	3/4" TLS w/o Screen Black	20.56
64280	1" TLS w/o Screen Black	20.56
61404	20 Mesh Screen	10.32
61405	40 Mesh Screen	11.94
61406	80 Mesh Screen	10.93

TERMS AND CONDITIONS:

Terms: Net 30 days. A service charge of 1-1/2% per month applied to past due accounts.

FOB: Sheldon, IA.

Minimum Order: \$50.00 net minimum. A \$25.00 handling charge will be assessed on orders less than \$50.00 net.

Returns: All returns must be pre-approved by Norwesco and sent freight prepaid. Please note that a 10% restocking charge will be assessed.



A Brand of Tank Holding Corp.

NORWESCO

2200 Commerce Boulevard

Mound, MN 55364

Tel 800-328-3420

www.norwesco.com

VCPL1023